

CRESCENT GC™ SCONCE

PROJECT: _____

TYPE: _____

QUANTITY: _____



PN: CR800 GC

APPLICATION	<ul style="list-style-type: none">• WALL MOUNT• INDOOR OR OUTDOOR RATED• ADA COMPLIANT
DIMENSION	<ul style="list-style-type: none">• 26.5"H, 38.5"H, OR 51"H (66CM, 97CM, 129CM)• DEPTH: 4", 6.75", 8" (10CM, 17CM, 20CM)
ILLUMINATION	<ul style="list-style-type: none">• SHIELDED• LED 90CRI• 2,692 LUMENS
ELECTRICAL	<ul style="list-style-type: none">• 120V, 277V AND 347V• 10kA SURGE SUPPRESSION STANDARD
DIFFUSERS	<ul style="list-style-type: none">• HIGH EFFICIENCY ACRYLIC
MOUNTING	<ul style="list-style-type: none">• MOUNT DIRECTLY TO A STRUCTURAL WALL
CONSTRUCTION	<ul style="list-style-type: none">• COPPER, STAINLESS STEEL, OR ALUMINUM
FINISHES	<ul style="list-style-type: none">• AVAILABLE IN SPECIALTIES, SEVERAL TMS PLATED, AND POWDER COATED FINISHES• CUSTOM RAL FINISHES AVAILABLE
DIMMING	<ul style="list-style-type: none">• 0 - 10V STANDARD DIMMING



DIFFUSE

CRESCENT GC™ SCONCE



PROJECT: _____

TYPE: _____

QUANTITY: _____

CR800 GC

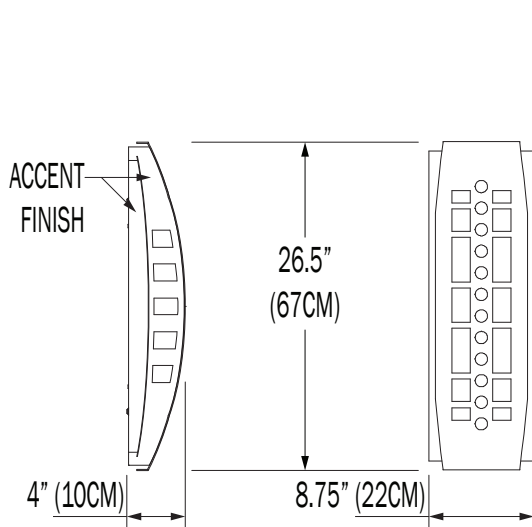
1 2 3 4 5 6 7 8 9

1.	I					O				
APPLICATION	INDOOR					OUTDOOR				
2.	26			38			51			
SIZE	8.75"W X 26.5"H X 4"D (22CM X 67CM X 10CM)			8.75"W X 38.5"H X 6.75"D (22CM X 99CM X 17CM)			8.75"W X 51"H X 8"D (22CM X 130CM X 20CM)			
3.	32LED			42LED			53LED			
ILLUMINATION	32W			42W			53W			
LED (W)	---			2692			---			
LUMENS	---			---			---			
4.	30K			35K			40K			
LED CCT	3000K			3500K			4000K			
5.	120			277			347			
VOLTAGE	120V			277V			347V			
6.	CO¹	SS¹	SN	CH	BC	AC	AB	SB	PB	F04
FINISH	SOLID COPPER	STAINLESS STEEL	SATIN NICKEL	CHROME	BLACK CHROME	ANTIQUE COPPER	ANTIQUE BRASS	SATIN BRASS	POLISHED BRASS	MATTE WHITE
	F05	F09	F15	F16	F18	F24	F25	F26	F31	F33
	GLOSS WHITE	PEWTER	MATTE BLACK	GLOSS BLACK	SATIN PLATINUM	MELTED PLATINUM	MELTED GOLD	MELTED COPPER	SILVER METALLIC	PYRITE BRONZE
	RAL									
	CUSTOM (SPECIFY)									
7.	F04	F05	F09	F16	F16	F18	F24	F25	F26	F31
ACCENT FINISH	MATTE WHITE	GLOSS WHITE	PEWTER	MATTE BLACK	GLOSS BLACK	SATIN PLATINUM	MELTED PLATINUM	MELTED GOLD	MELTED COPPER	SILVER METALLIC
	F33	RAL								
	PYRITE BRONZE	CUSTOM (SPECIFY)								
8.	OP				SD			FPD		
DIFFUSER	OPAL - WHITE ACRYLIC				SAND - BLASTED WHITE ACRYLIC			FAUX PERFORATED		
9.	---					DIML				
DIMMING	NONE					LED DIMMING (0 - 10V, CURRENT - SINKING)				

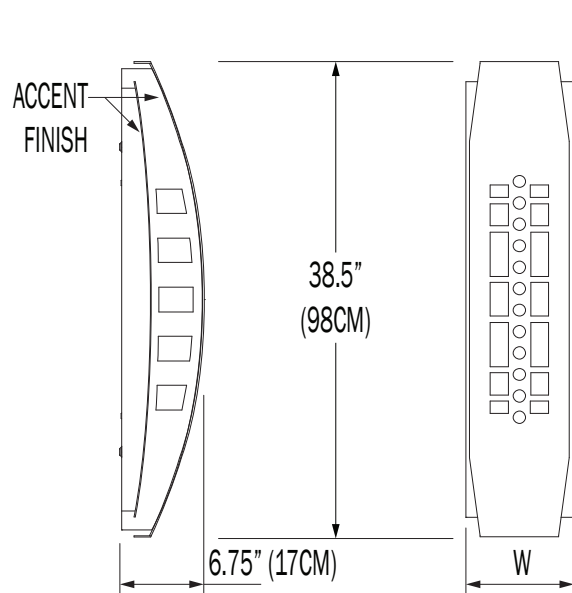
1. BRUSHED STAINLESS STEEL AND COPPER ARE FINISHED WITH CLEAR COAT. PATINA WILL FORM ON COPPER OVER TIME

NOTE: SOME OPTIONS MAY NOT BE COMPATIBLE WITH OTHERS. ALL SPECIFICATIONS ARE SUBJECT TO CHANGE WITHOUT NOTICE. CONTACT TMS LIGHTING FOR UPDATED SPECIFICATIONS.

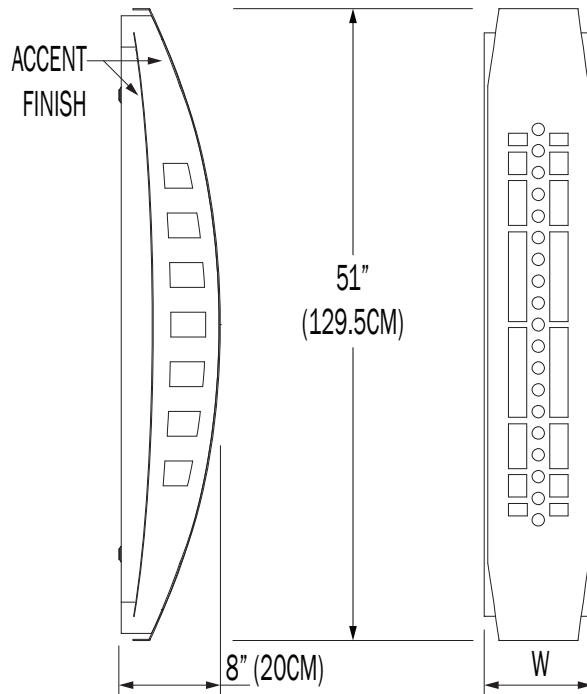
CR800 GC - 26"



CR800 GC - 38"



CR800 GC - 51"



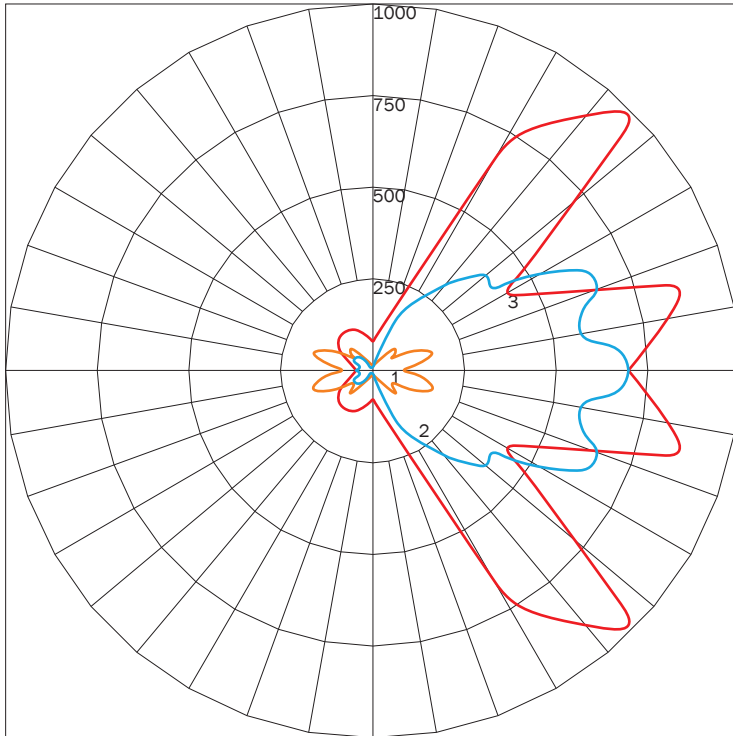
DIFFUSE

PN	SIZE	LUMENS	WATTAGE
CR800GC	38	2692	50

IES INDOOR REPORT

PHOTOMETRIC FILENAME : CR800 GC 38 45LED.IES

POLAR GRAPH



MAXIMUM CANDELA = 995.54 LOCATED AT HORIZONTAL ANGLE = 45, VERTICAL ANGLE = 95
 # 1 - VERTICAL PLANE THROUGH HORIZONTAL ANGLES (90 - 270)
 # 2 - VERTICAL PLANE THROUGH HORIZONTAL ANGLES (0 - 180)
 # 3 - HORIZONTAL CONE THROUGH VERTICAL ANGLE (90)

LUMINAIRE LUMENS	2692
TOTAL LUMINAIRE EFFICIENCY	NA
LUMINAIRE EFFECIENCY RATING	NA
TOTAL LUMINAIRE WATTS	50

AVAILABLE FINISHES



C0
SOLID
COPPER



SS
STAINLESS
STEEL



SN
SATIN
NICKEL



CH
CHROME



BC
BLACK
CHROME



AC
ANTIQUÉ
COPPER



AB
ANTIQUÉ
BRASS



SB
SATIN
BRASS



PB
POLISHED
BRASS



F04
MATTE
WHITE



F05
GLOSS
WHITE



F09
PEWTER



F15
MATTE
BLACK



F16
GLOSS
BLACK



F18
SATIN
ALUMINUM



F24
MELTED
PLATINUM



F25
MELTED
GOLD



F26
MELTED
COPPER



F31
SILVER
METALLIC



F33
PYRITE
BRONZE



RAL
CUSTOM
COLOR
(RAL #)

NOTE: DISPLAYED FINISHES DIFFER BETWEEN SCREENS AS WELL AS PRINTERS AND MAY NOT ACCURATELY DEPICT COLOR.