

CRESCENT ER™ SCONCE

PROJECT: _____

TYPE: _____

QUANTITY: _____

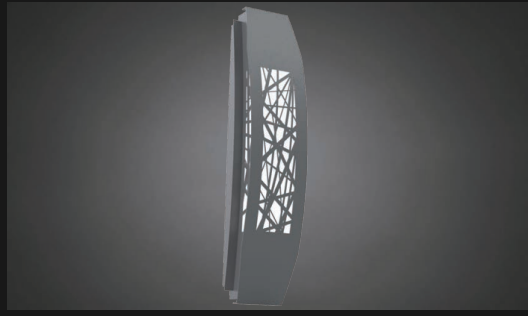


PN: CR800 ER

APPLICATION	<ul style="list-style-type: none">• WALL MOUNT• INDOOR OR OUTDOOR RATED• ADA COMPLIANT
DIMENSION	<ul style="list-style-type: none">• 26.5"H, 38.5"H, OR 51"H (66CM, 97CM, 129CM)• DEPTH: 4", 6.75", 8" (10CM, 17CM, 20CM)
ILLUMINATION	<ul style="list-style-type: none">• DIFFUSE• LED 90CRI• 237 - 1,019 LUMENS
ELECTRICAL	<ul style="list-style-type: none">• 120V, 277V AND 347V• 10KA SURGE SUPPRESSION STANDARD
DIFFUSERS	<ul style="list-style-type: none">• HIGH EFFICIENCY ACRYLIC
MOUNTING	<ul style="list-style-type: none">• MOUNT DIRECTLY TO A STRUCTURAL WALL
CONSTRUCTION	<ul style="list-style-type: none">• COPPER, STAINLESS STEEL, OR ALUMINUM
FINISHES	<ul style="list-style-type: none">• AVAILABLE IN SPECIALTIES, SEVERAL TMS PLATED, AND POWDER COATED FINISHES• CUSTOM RAL FINISHES AVAILABLE
DIMMING	<ul style="list-style-type: none">• 0 - 10V STANDARD DIMMING



CRESCENT ER™ SCONCE



PROJECT: _____

TYPE: _____

QUANTITY: _____

CR800 ER

1 2 3 4 5 6 7 8 9

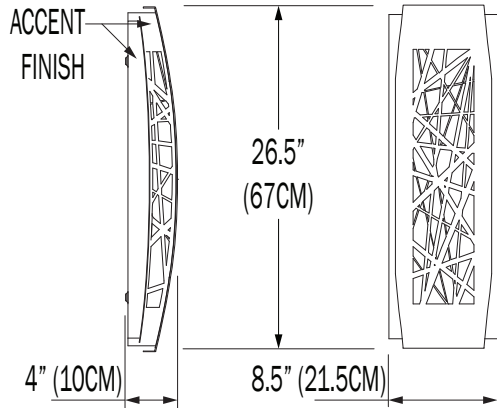
1.	I					O				
APPLICATION	INDOOR					OUTDOOR				
2.	26			38			51			
SIZE	8.75"W X 26.5"H X 4"D (22CM X 67CM X 10CM)			8.75"W X 38.5"H X 6.75"D (22CM X 99CM X 17CM)			8.75"W X 51"H X 8"D (22CM X 130CM X 20CM)			
3.	32LED			42LED			53LED			
ILLUMINATION	32LED			42LED			53LED			
LED (W)	32W			42W			53W			
LUMENS	618			1019			---			
4.	30K			35K			40K			
LED CCT	3000			3500			4000			
5.	120			277			347			
VOLTAGE	120V			277V			347V			
6.	CO¹	SS¹	SN	CH	BC	AC	AB	SB	PB	F04
FINISH	SOLID COPPER	STAINLESS STEEL	SATIN NICKEL	CHROME	BRASS COPPER	ANTIQUE COPPER	ANTIQUE BRASS	SATIN BRASS	POLISHED BRASS	MATTE WHITE
	F05	F09	F15	F16	F18	F24	F25	F26	F31	F33
	GLOSS WHITE	PEWTER	MATTE BLACK	GLOSS BLACK	SATIN PLATINUM	MELTED PLATINUM	MELTED GOLD	MELTED COPPER	SILVER METALLIC	PYRITE BRONZE
	RAL									
	CUSTOM (SPECIFY)									
7.	F04	F05	F09	F15	F16	F18	F24	F25	F26	F31
ACCENT FINISH	MATTE WHITE	GLOSS WHITE	PEWTER	MATTE BLACK	GLOSS BLACK	SATIN PLATINUM	MELTED PLATINUM	MELTED GOLD	MELTED COPPER	SILVER METALLIC
	F33	RAL								
	PYRITE BRONZE	CUSTOM (SPECIFY)								
8.	OP				SD			FPD		
DIFFUSER	OPAL - WHITE ACRYLIC				SAND - BLASTED WHITE ACRYLIC			FAUX PERFORATED		
9.	---					DIML				
DIMMING	NONE					LED DIMMING (0 - 10V, CURRENT - SINKING)				

1. BRUSHED STAINLESS STEEL AND COPPER ARE FINISHED WITH CLEAR COAT. PATINA WILL FORM ON COPPER OVER TIME

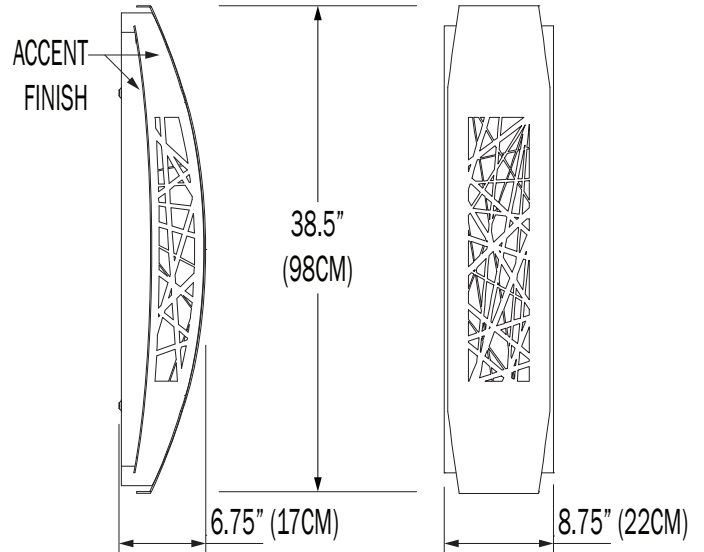
NOTE: SOME OPTIONS MAY NOT BE COMPATIBLE WITH OTHERS. ALL SPECIFICATIONS ARE SUBJECT TO CHANGE WITHOUT NOTICE. CONTACT TMS LIGHTING FOR UPDATED SPECIFICATIONS.

CRESCENT ER™ SCONCE

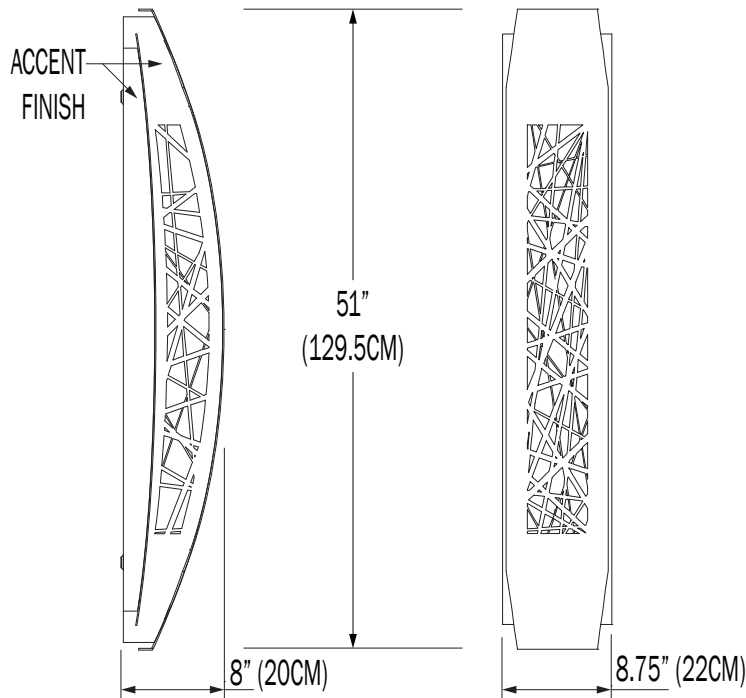
CR800 ER - 26"



CR800 ER - 38"



CR800 ER - 51"



CUSTOM

NOTE: THIS FIXTURE CAN BE CUSTOMIZE. DIMENSION, LAMP TYPES, ENCLOSURE, AND COLOR CAN BE MODIFIED TO SUIT YOUR LIGHTING AND ARCHITECTURAL REQUIREMENTS. CONTACT YOUR LOCAL REPRESENTATIVE FOR MORE DETAILS: <https://tmslighting.com/sales-agents.html>

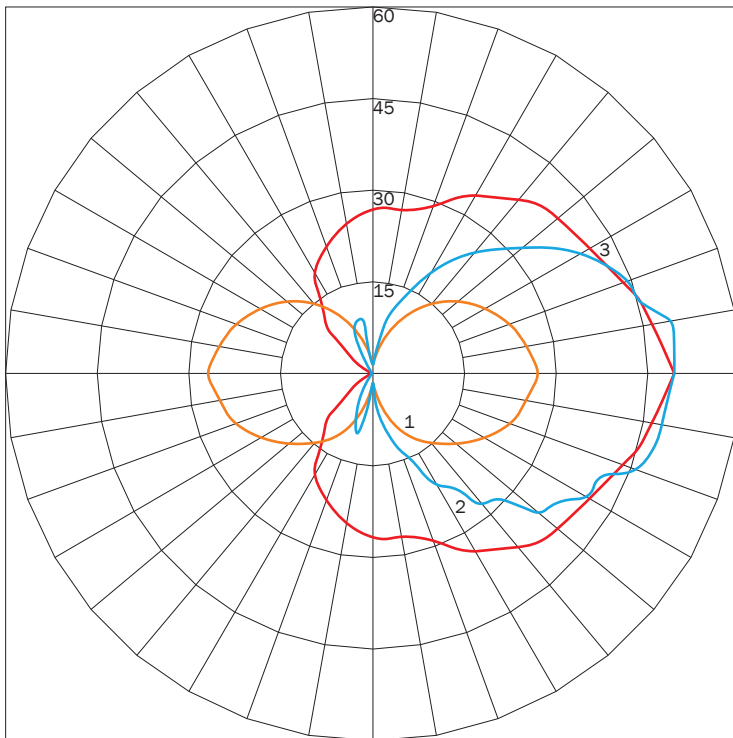
DIFFUSE

PN	SIZES	ILLUMINATION	FINISH	LUMENS	WATTAGE
CR800ER	26	32LED	F05	618	32
	38	28LED	F21	237	32
			F05	619	32
	51	42LED	F21	429	42
			F05	1019	42

IES INDOOR REPORT

PHOTOMETRIC FILENAME : CR800 ER 38 28LED F21 OP.IES

POLAR GRAPH



MAXIMUM CANDELA = 49.49 LOCATED AT HORIZONTAL ANGLE = 0, VERTICAL ANGLE = 95
 # 1 - VERTICAL PLANE THROUGH HORIZONTAL ANGLES (90 - 270)
 # 2 - VERTICAL PLANE THROUGH HORIZONTAL ANGLES (0 - 180)
 # 3 - HORIZONTAL CONE THROUGH VERTICAL ANGLE (90)

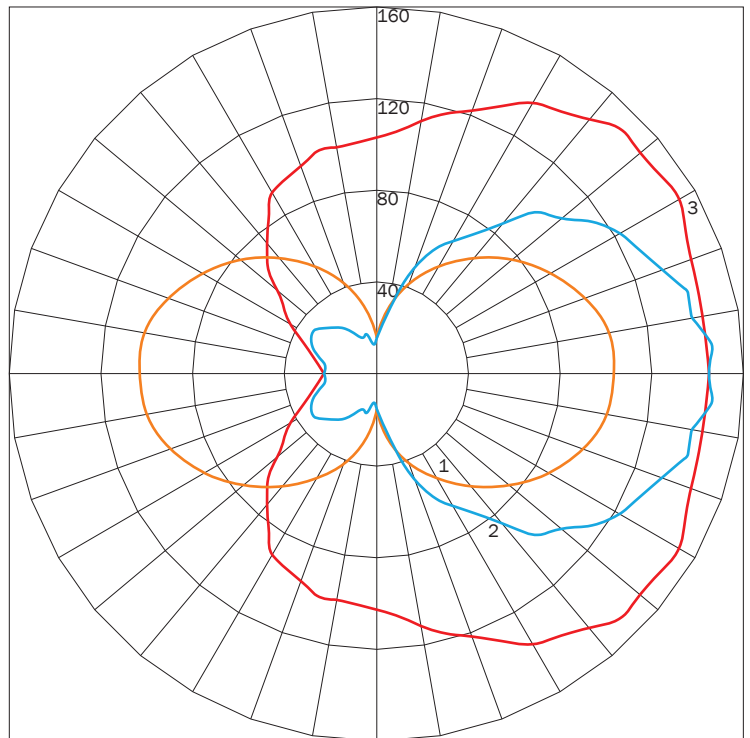
LUMINAIRE LUMENS
TOTAL LUMINAIRE EFFICIENCY
LUMINAIRE EFFICACY RATING
TOTAL LUMINAIRE WATTS

237
 NA
 7
 32

IES INDOOR REPORT

PHOTOMETRIC FILENAME : CR800 ER 51 42LED F05 OP.IES

POLAR GRAPH



MAXIMUM CANDELA = 153.23 LOCATED AT HORIZONTAL ANGLE = 30, VERTICAL ANGLE = 95
 # 1 - VERTICAL PLANE THROUGH HORIZONTAL ANGLES (90 - 270)
 # 2 - VERTICAL PLANE THROUGH HORIZONTAL ANGLES (0 - 180)
 # 3 - HORIZONTAL CONE THROUGH VERTICAL ANGLE (90)

LUMINAIRE LUMENS
TOTAL LUMINAIRE EFFICIENCY
LUMINAIRE EFFICACY RATING
TOTAL LUMINAIRE WATTS

1019
 NA
 21
 48

AVAILABLE FINISHES



C0
SOLID
COPPER



SS
STAINLESS
STEEL



SN
SATIN
NICKEL



CH
CHROME



BC
BLACK
CHROME



AC
ANTIQUÉ
COPPER



AB
ANTIQUÉ
BRASS



SB
SATIN
BRASS



PB
POLISHED
BRASS



F04
MATTE
WHITE



F05
GLOSS
WHITE



F09
PEWTER



F15
MATTE
BLACK



F16
GLOSS
BLACK



F18
SATIN
ALUMINUM



F24
MELTED
PLATINUM



F25
MELTED
GOLD



F26
MELTED
COPPER



F31
SILVER
METALLIC



F33
PYRITE
BRONZE



RAL
CUSTOM
COLOR
(RAL #)

NOTE: DISPLAYED FINISHES DIFFER BETWEEN SCREENS AS WELL AS PRINTERS AND MAY NOT ACCURATELY DEPICT COLOR.