

# COMETA™ PENDANT

PROJECT: \_\_\_\_\_

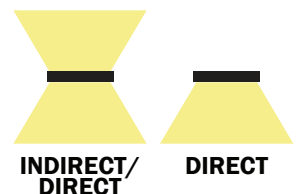
TYPE: \_\_\_\_\_

QUANTITY: \_\_\_\_\_



## PN: 981CO

<b>APPLICATION</b>	<ul style="list-style-type: none"><li>• PENDANT MOUNT</li><li>• INDOOR</li></ul>
<b>DIMENSION</b>	<ul style="list-style-type: none"><li>• 2' TO 20' (61CM TO 610CM)</li><li>• PROFILE: 2.75"W X 5"H (7CM X 13CM)</li></ul>
<b>ILLUMINATION</b>	<ul style="list-style-type: none"><li>• DIRECT OR INDIRECT/DIRECT</li><li>• LED 90CRI</li><li>• 5,238 - 125,154 LUMENS</li></ul>
<b>ELECTRICAL</b>	<ul style="list-style-type: none"><li>• 120 - 277V</li><li>• 10kA SURGE SUPPRESSION STANDARD</li></ul>
<b>DIFFUSERS</b>	<ul style="list-style-type: none"><li>• HIGH EFFICIENCY ACRYLIC</li></ul>
<b>MOUNTING</b>	<ul style="list-style-type: none"><li>• 96" (244CM) BLACK OR WHITE DROP CORD W/ AIRCRAFT CABLES</li></ul>
<b>CONSTRUCTION</b>	<ul style="list-style-type: none"><li>• ALUMINUM</li></ul>
<b>FINISHES</b>	<ul style="list-style-type: none"><li>• AVAILABLE IN SEVERAL TMS POWDER COATED FINISHES</li><li>• CUSTOM RAL FINISHES AVAILABLE</li></ul>
<b>DIMMING</b>	<ul style="list-style-type: none"><li>• 0 - 10V STANDARD DIMMING</li><li>• LUTRON (1%) DIMMING OPTIONAL</li></ul>
<b>WEIGHT</b>	<ul style="list-style-type: none"><li>• 190 LBS MAXIMUM</li></ul>



# COMETA™ PENDANT



PROJECT: \_\_\_\_\_

TYPE: \_\_\_\_\_

QUANTITY: \_\_\_\_\_

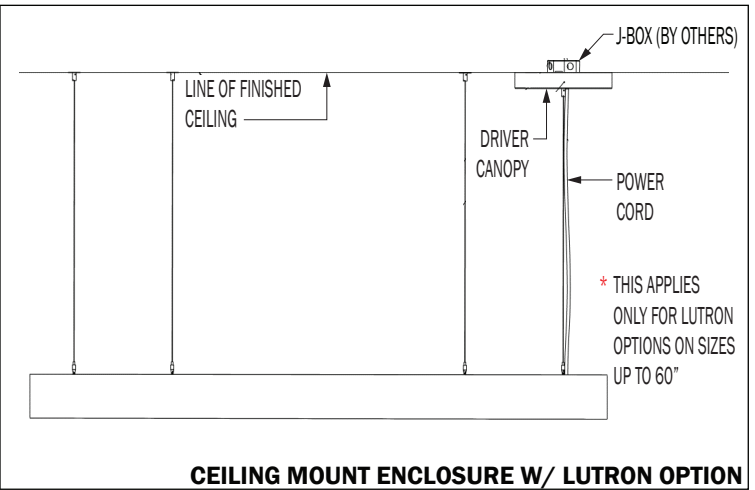
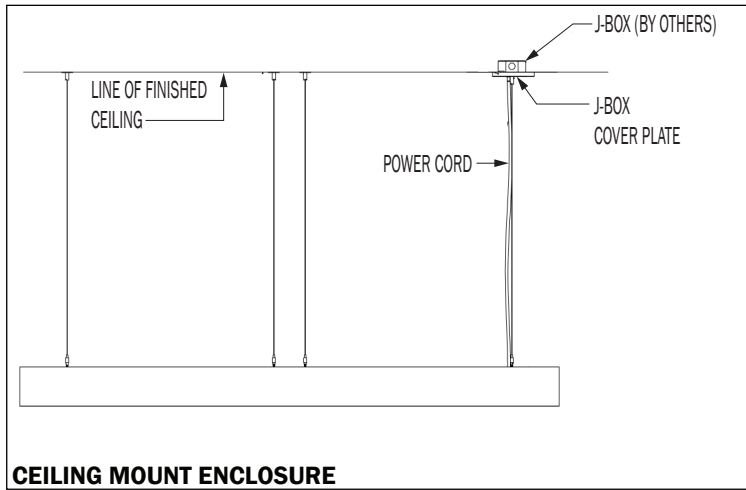
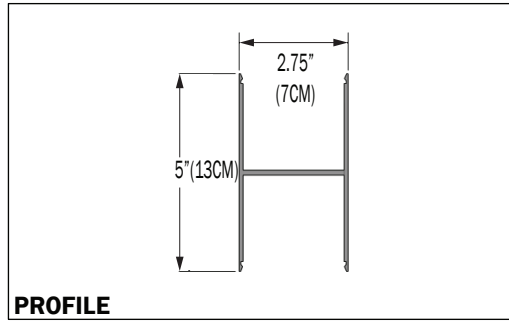
**981C0**

1 2 3 4 5 6 7 8

1.	DIRECT													
DIAMETER	2D	3D	4D	5D	6D	7D	8D	9D	10D	12D	14D	16D	18D	20D
24"DIA.	36"DIA.	48"DIA.	60"DIA.	72"DIA.	84"DIA.	96"DIA.	108"DIA.	120"DIA.	144"DIA.	168"DIA.	192"DIA.	216"DIA.	240"DIA.	
LED (W)	56	90	135	169	203	237	271	305	338	406	474	541	609	677
LUMENS	5238	8306	12585	15404	18809	21705	25203	28486	31524	37519	44065	50092	55440	62688
	INDIRECT/DIRECT													
DIAMETER	2ID	3ID	4ID	5ID	6ID	7ID	8ID	9ID	10ID	12ID	14ID	16ID	18ID	20ID
24"DIA.	36"DIA.	48"DIA.	60"DIA.	72"DIA.	84"DIA.	96"DIA.	108"DIA.	120"DIA.	144"DIA.	168"DIA.	192"DIA.	216"DIA.	240"DIA.	
LED (W)	113	180	271	339	406	474	541	609	677	812	948	1083	1218	1354
LUMENS	10163	16323	24800	30202	36767	42762	49802	56559	63721	74560	89507	101814	110608	125154
2.	30K				35K				40K					
LED CCT	3000				3500				4000					
3.	120				277				UNI					
VOLTAGE	120V				277V				120 - 277V					
4.	S						D <sup>1</sup>							
CIRCUIT	SINGLE						DUAL							
5.	MM						PS <sup>2</sup>							
MOUNTING	MULTIPLE AIRCRAFT CABLES						SINGLE PLATE W/ AIRCRAFT CABLES							
6.	BC						WC							
CORD	BLACK DROP CORD						WHITE DROP CORD							
7.	F04	F05	F09	F15	F16	F18	F21	F31	F33	RAL				
FINISH	MATTE WHITE	GLOSS WHITE	PEWTER	MATTE BLACK	GLOSS BLACK	SATIN ALLUMINUM	ARCH BRONZE	SILVER METALLIC	PYRITE BRONZE	CUSTOM (SPECIFY)				
8.	DIML						DIME							
DIMMING	STANDARD 0 - 10V DIMMING						LUTRON HI - LUME 1%							

1. 144" TO 240" DIAMETER FIXTURES UTILIZES 2 DROP CORDS, WHEN THE DUAL CIRCUIT OPTION IS CHOSEN. CONTACT TMS FOR LONGER CABLE LENGTHS  
 2. COMETA PS MOUNT ONLY AVAILABLE FOR SIZES 2, 3, AND 4

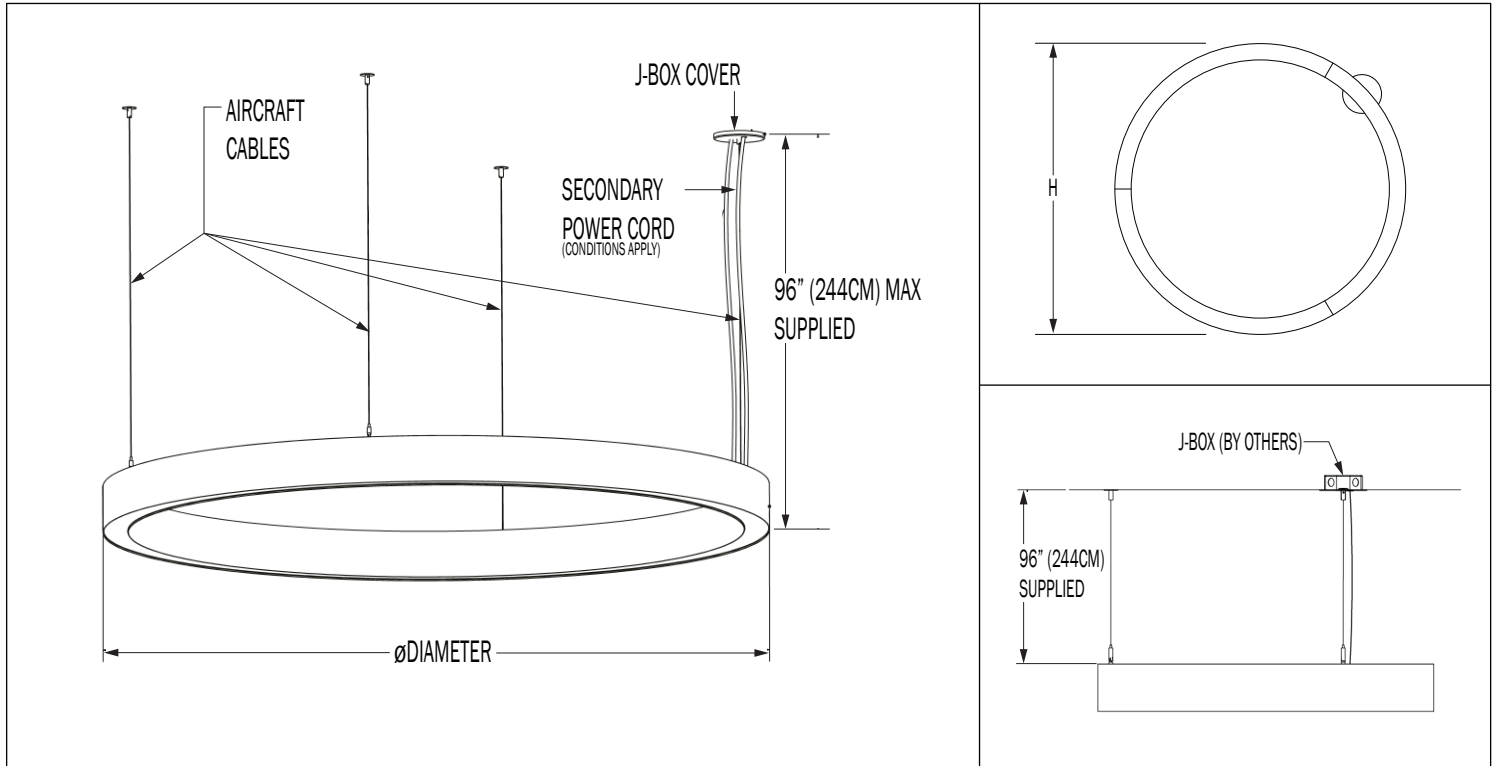
NOTE: SOME OPTIONS MAY NOT BE COMPATIBLE WITH OTHERS. ALL SPECIFICATIONS ARE SUBJECT TO CHANGE WITHOUT NOTICE. CONTACT TMS LIGHTING FOR UPDATED SPECIFICATIONS.



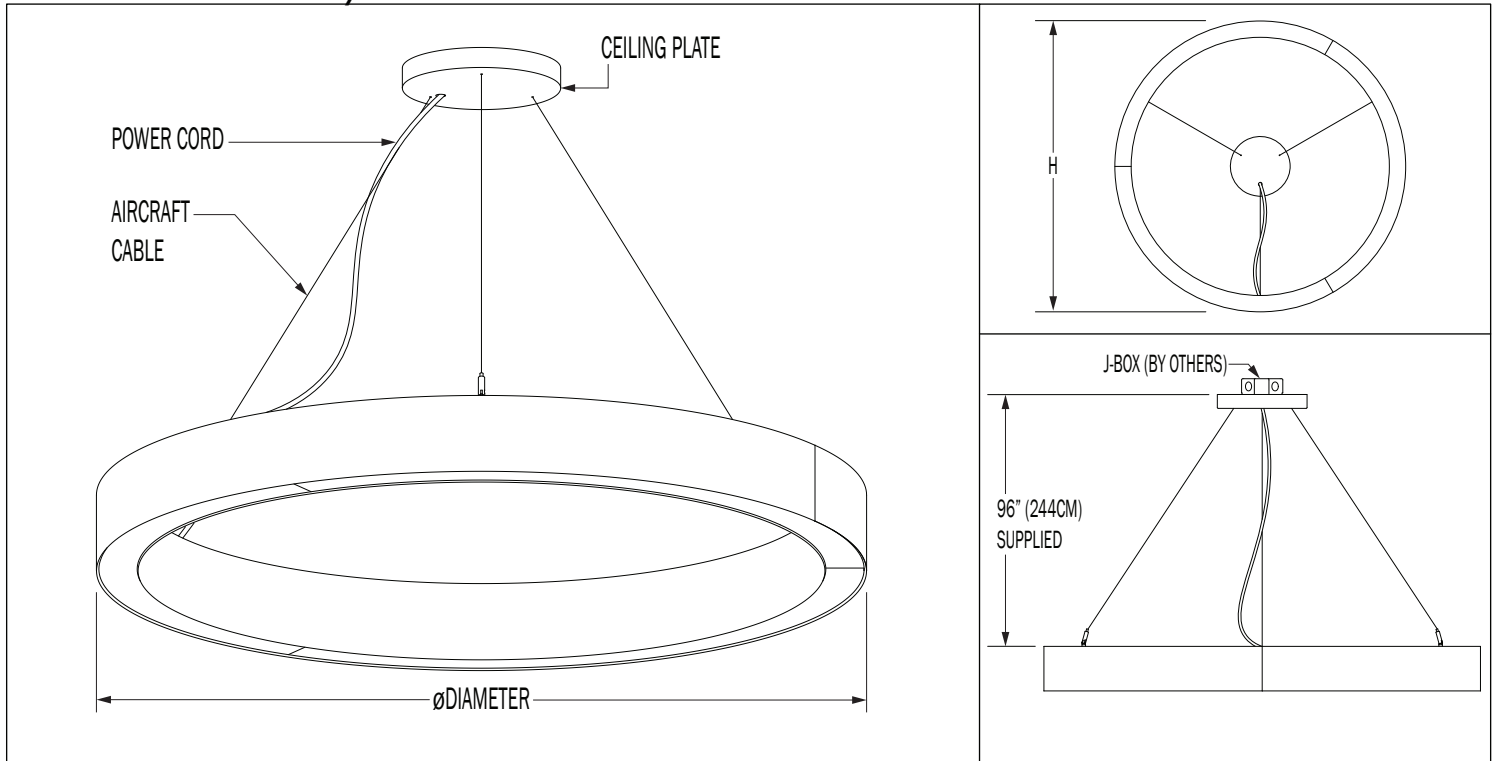
DIAMETER (FEET)	DIAMETER (INCH)	SECTION	AIR CRAFT CABLES	POWER CORD (SINGLE CIRCUIT)	POWER CORD (DUAL CIRCUIT)	MINIMUM MOUNT HEIGHT (SINGLE PLATE)	WEIGHT (LBS)
2	24" (61CM)	1	3	1	1	40" (102CM)	24
3	36" (91CM)	1	3	1	1	60" (152CM)	33
4	48" (122CM)	1	3	1	1	80" (203CM)	44
5	60" (152CM)	1	3	1	1	NA	52
6	72" (183CM)	1	4	1	1	NA	61
7	84" (213CM)	1	4	1	1	NA	66
8	96" (244CM)	4	8	1	1	NA	77
9	108" (274CM)	4	8	1	1	NA	87
10	120" (304CM)	4	8	1	1	NA	97
12	144" (368CM)	4	8	1	2	NA	113
14	168" (427CM)	6	12	1	2	NA	113
16	192" (488CM)	6	12	1	2	NA	153
18	216" (549CM)	6	12	1	2	NA	174
20	240" (610CM)	6	12	1	2	NA	190

## 981CO

### MM - MULTIPLE AIRCRAFT CABLES



### PS - SINGLE PLATE W/ AIRCRAFT CABLES



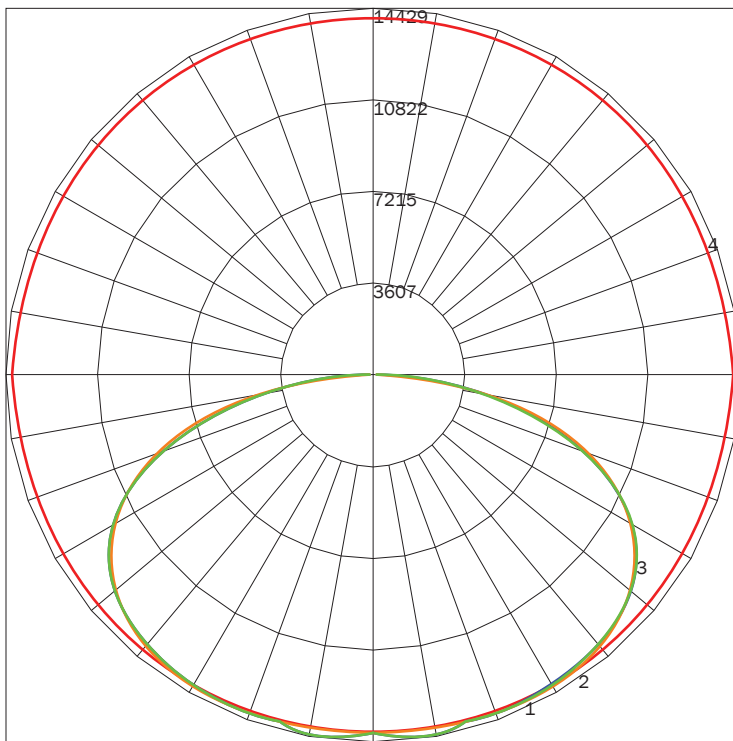
## DIRECT

PN	SIZE (DIA)	LUMENS	WATTAGE
981C0	2D	5238	56
	3D	8306	90
	4D	12585	135
	5D	15404	169
	6D	18809	203
	7D	21705	237
	8D	25203	271
	9D	28486	305
	10D	31524	338
	12D	37519	406
	14D	44065	474
	16D	50092	541
	18D	55440	609
	20D	62688	677

### IES INDOOR REPORT

PHOTOMETRIC FILENAME : 981C0 20D 35K F05.IES

### POLAR GRAPH



MAXIMUM CANDELA = 14429.17 LOCATED AT HORIZONTAL ANGLE = 90, VERTICAL ANGLE = 10  
 # 1 - VERTICAL PLANE THROUGH HORIZONTAL ANGLES (90 - 270) (THROUGH MAX. CD.)  
 # 2 - VERTICAL PLANE THROUGH HORIZONTAL ANGLES (45 - 225)  
 # 3 - VERTICAL PLANE THROUGH HORIZONTAL ANGLES (90 - 270)  
 # 4 - HORIZONTAL CONE THROUGH VERTICAL ANGLE (5) (THROUGH MAX. CD.)

**LUMINAIRE LUMENS** 62688  
**TOTAL LUMINAIRE EFFICIENCY** 73%  
**LUMINAIRE EFFICACY RATING** 93  
**TOTAL LUMINAIRE WATTS** 676

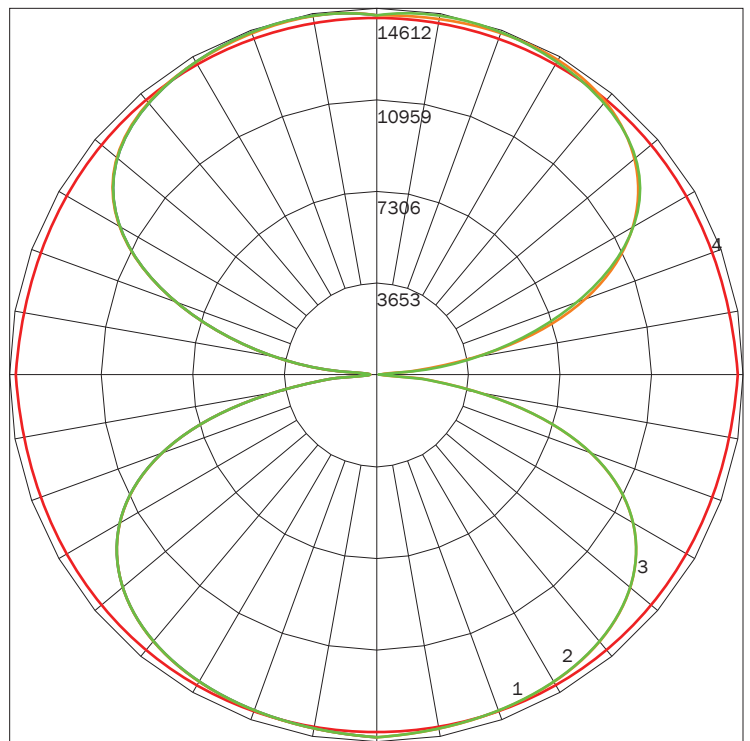
## INDIRECT / DIRECT

PN	SIZE (DIA)	LUMENS	WATTAGE
981C0	2ID	10163	113
	3ID	16323	180
	4ID	24800	271
	5ID	30202	339
	6ID	36767	406
	7ID	42762	474
	8ID	49802	541
	9ID	56559	609
	10ID	63721	677
	12ID	74560	812
	14ID	89507	948
	16ID	101814	1083
	18ID	110608	1218
	20ID	125154	1354

### IES INDOOR REPORT

PHOTOMETRIC FILENAME : 981C0 20ID 35K F05.IES

### POLAR GRAPH



MAXIMUM CANDELA = 14612.46 LOCATED AT HORIZONTAL ANGLE = 90, VERTICAL ANGLE = 160  
 # 1 - VERTICAL PLANE THROUGH HORIZONTAL ANGLES (90 - 270) (THROUGH MAX. CD.)  
 # 2 - VERTICAL PLANE THROUGH HORIZONTAL ANGLES (45 - 225)  
 # 3 - VERTICAL PLANE THROUGH HORIZONTAL ANGLES (90 - 270)  
 # 4 - HORIZONTAL CONE THROUGH VERTICAL ANGLE (5) (THROUGH MAX. CD.)

**LUMINAIRE LUMENS** 125154  
**TOTAL LUMINAIRE EFFICIENCY** 72%  
**LUMINAIRE EFFICACY RATING** 92  
**TOTAL LUMINAIRE WATTS** 1354

## AVAILABLE FINISHES



**F04**  
MATTE  
WHITE



**F05**  
GLOSS  
WHITE



**F09**  
PEWTER



**F15**  
MATTE  
BLACK



**F16**  
GLOSS  
BLACK



**F18**  
SATIN  
ALUMINUM



**F21**  
ARCH  
BRONZE



**F31**  
SILVER  
METALLIC



**F33**  
PYRITE  
BRONZE



**RAL**  
CUSTOM  
COLOR  
(RAL #)

NOTE: DISPLAYED FINISHES DIFFER BETWEEN SCREENS AS WELL AS PRINTERS AND MAY NOT ACCURATELY DEPICT COLOR.