

PROJECT: _____

TYPE: _____

QUANTITY: _____



PN: 981COCL

APPLICATION	<ul style="list-style-type: none"> • CEILING • INDOOR RATED
DIMENSION	<ul style="list-style-type: none"> • 24" TO 240" (61CM, 610CM) • PROFILE: 2.75" W X 5"H (10CM X 13CM)
ILLUMINATION	<ul style="list-style-type: none"> • DIRECT • LED 90CRI • 5,238 - 21,705 LUMENS
ELECTRICAL	<ul style="list-style-type: none"> • 120 - 277V • 10kA SURGE SUPPRESSION STANDARD
DIFFUSERS	<ul style="list-style-type: none"> • HIGH EFFICIENCY ACRYLIC
MOUNTING	<ul style="list-style-type: none"> • CEILING, REMOTE MOUNTED DRIVERS
CONSTRUCTION	<ul style="list-style-type: none"> • ALUMINUM
FINISHES	<ul style="list-style-type: none"> • AVAILABLE IN SEVERAL TMS POWDER COATED FINISHES • CUSTOM RAL FINISHES AVAILABLE
DIMMING	<ul style="list-style-type: none"> • 0 - 10V STANDARD DIMMING • LUTRON (1%) DIMMING OPTIONAL
WEIGHT	<ul style="list-style-type: none"> • 24 LBS TO 190LBS MAXIMUM



COMETA™ CEILING



PROJECT: _____

TYPE: _____

QUANTITY: _____

981COCL - 1 - 2 - 3 - 4 - 5

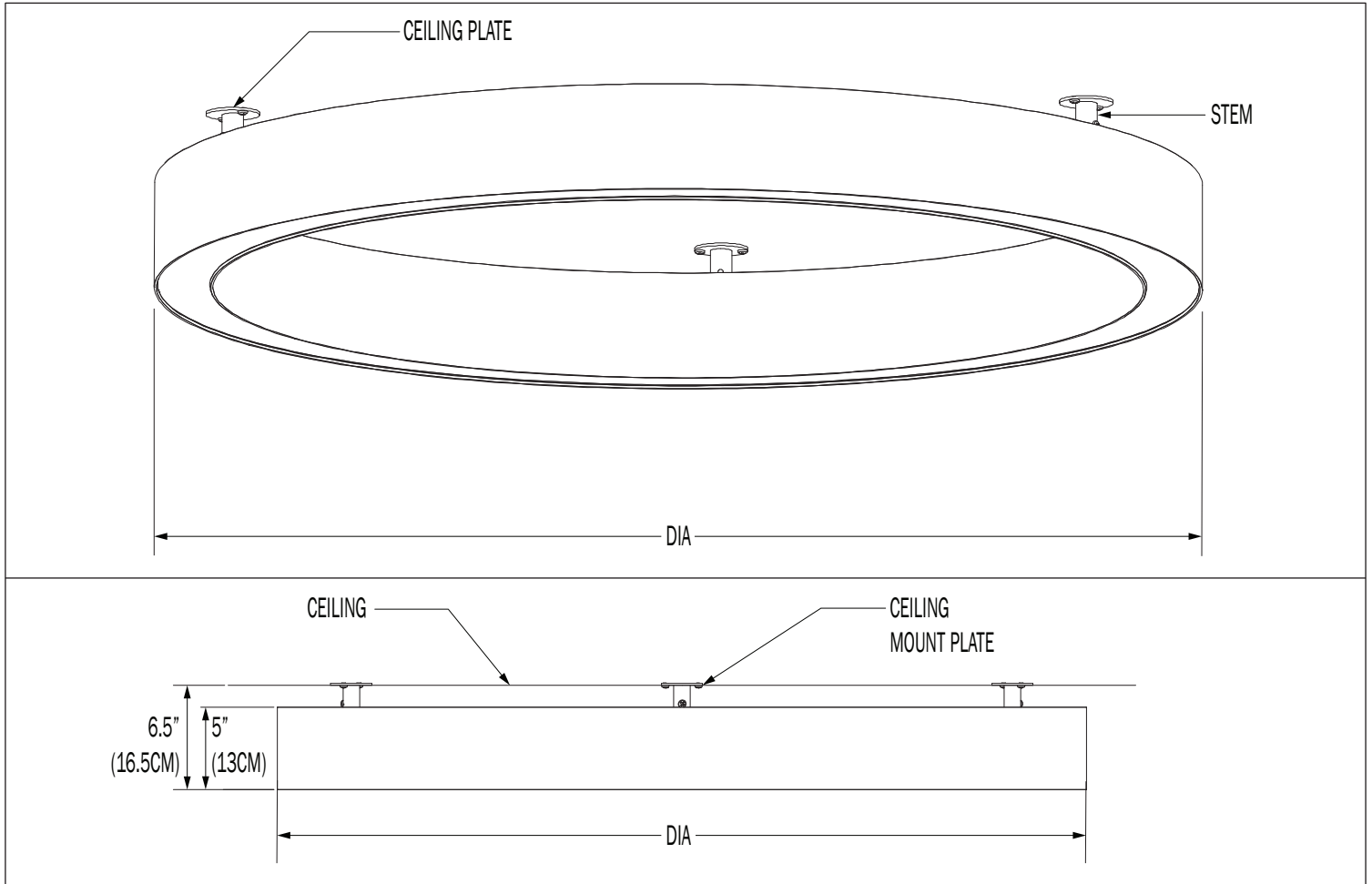
1.	2D	3D	4D	5D	6D	7D	8D	9D	10D	12D	14D	16D	18D	20D
DIAMETER	24"	36"	48"	60"	72"	84"	96"	108"	120"	144"	168"	192"	216"	240"
LED (W)	56W	90W	135W	170W	203W	237W	271W	305W	339W	406W	474W	541W	609W	677W
LUMENS	5238	8306	12585	15404	18809	21705	25203	28486	31524	37519	44065	50092	55440	62688
2.	30K				35K				40K					
LED CCT	3000				3500				4000					
3.	120				277				UNI					
VOLTAGE	120V				277V				120 - 277V					
4.	F04	F05	F09	F15	F16	F18	F21	F31	F33	RAL				
FINISH	MATTE WHITE	GLOSS WHITE	PEWTER	MATTE BLACK	GLOSS BLACK	SATIN ALUMINUM	ARCH BRONZE	SILVER METALLIC	PYRITE BRONZE	CUSTOM (SPECIFY)				
5.	DIML							DIME						
DIMMING ¹	LED DIMMING (0 - 10V, CURRENT - SINKING)							LUTRON HI - LUME 1%						

1. DIAMETERS LARGER THAN 6FT (1.8M) ARE INCOMPATIBLE WITH LUTRON DIMMING

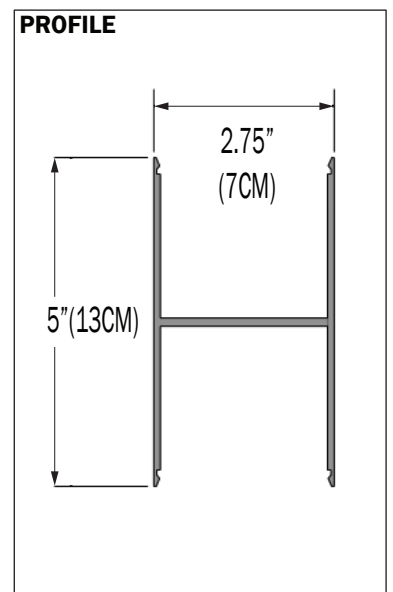
NOTE: SOME OPTIONS MAY NOT BE COMPATIBLE WITH OTHERS. ALL SPECIFICATIONS ARE SUBJECT TO CHANGE WITHOUT NOTICE. CONTACT TMS LIGHTING FOR UPDATED SPECIFICATIONS.

981COCL

REMOTE CEILING MOUNT



DIAMETER (FEET)	DIAMETER (INCH)	SECTION	WEIGHT (LBS)
2	24 (61CM)	1	24
3	36 (91CM)	1	33
4	48 (122CM)	1	44
5	60 (152CM)	1	52
6	72 (182CM)	1	61
7	84 (213CM)	1	66
8	96 (244CM)	3	77
9	108 (274CM)	3	87
10	120 (305CM)	4	97
12	144 (366CM)	4	113
14	168 (427CM)	5	133
16	192 (488CM)	6	153
18	216 (549CM)	6	174
20	240 (610CM)	6	190

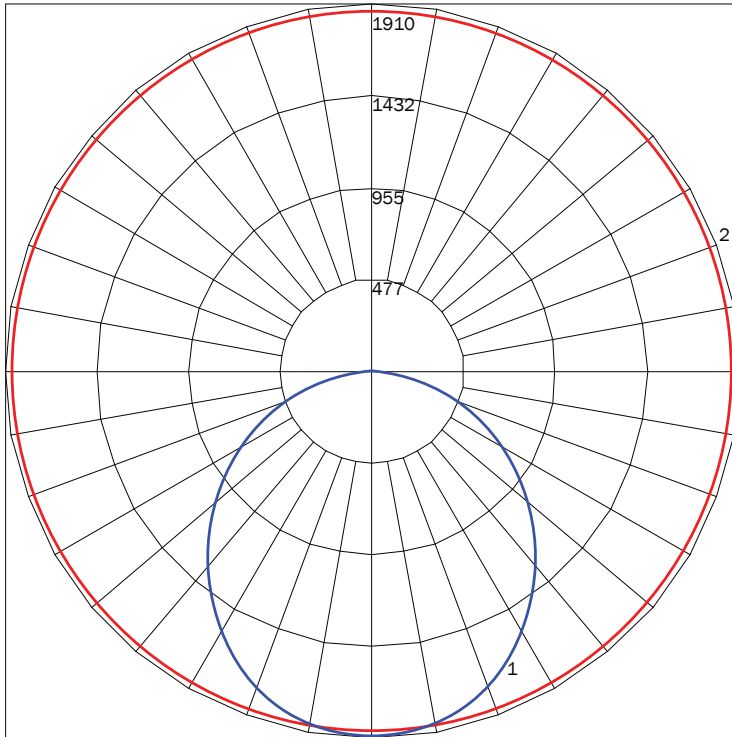


DIRECT

PN	SIZE (DIA)	LUMENS	WATTAGE
941LUTCL	2D	5238	56
	3D	8306	90
	4D	12585	135
	5D	15404	169
	6D	18809	203
	7D	21709	237
	8D	25203	271
	9D	28486	305
	10D	31524	339
	12D	37519	406
	14D	44065	474
	16D	50092	541
	18D	55440	609
	20D	62688	677

IES INDOOR REPORT
PHOTOMETRIC FILENAME : 981COCL 2D 35K F05.IES

POLAR GRAPH

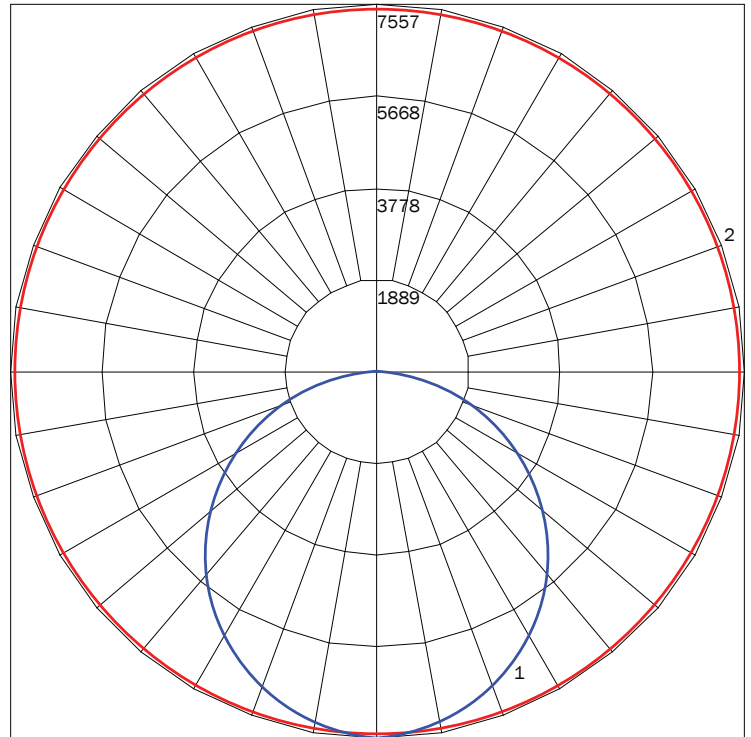


MAXIMUM CANDELA = 1909.52 LOCATED AT HORIZONTAL ANGLE = 22.5, VERTICAL ANGLE = 5
 # 1 - VERTICAL PLANE THROUGH HORIZONTAL ANGLES (22 - 202.5) (THROUGH MAX. CD.)
 # 2 - HORIZONTAL CONE THROUGH VERTICAL ANGLE (5) (THROUGH MAX. CD.)

LUMINAIRE LUMENS 5238
TOTAL LUMINAIRE EFFICIENCY 73%
LUMINAIRE EFFICACY RATING 93
TOTAL LUMINAIRE WATTS 56

IES INDOOR REPORT
PHOTOMETRIC FILENAME : 981COCL 7D 35K F05.IES

POLAR GRAPH



MAXIMUM CANDELA = 7556.96 LOCATED AT HORIZONTAL ANGLE = 0, VERTICAL ANGLE = 0
 # 1 - VERTICAL PLANE THROUGH HORIZONTAL ANGLES (0 - 180) (THROUGH MAX. CD.)
 # 2 - HORIZONTAL CONE THROUGH VERTICAL ANGLE (0) (THROUGH MAX. CD.)

LUMINAIRE LUMENS 21705
TOTAL LUMINAIRE EFFICIENCY 72%
LUMINAIRE EFFICACY RATING 92
TOTAL LUMINAIRE WATTS 237

AVAILABLE FINISHES



F04
MATTE
WHITE



F05
GLOSS
WHITE



F09
PEWTER



F15
MATTE
BLACK



F16
GLOSS
BLACK



F18
SATIN
ALUMINUM



F21
ARCH
BRONZE



F31
SILVER
METALLIC



F33
PYRITE
BRONZE



RAL
CUSTOM
COLOR
(RAL #)

NOTE: DISPLAYED FINISHES DIFFER BETWEEN SCREENS AS WELL AS PRINTERS AND MAY NOT ACCURATELY DEPICT COLOR.