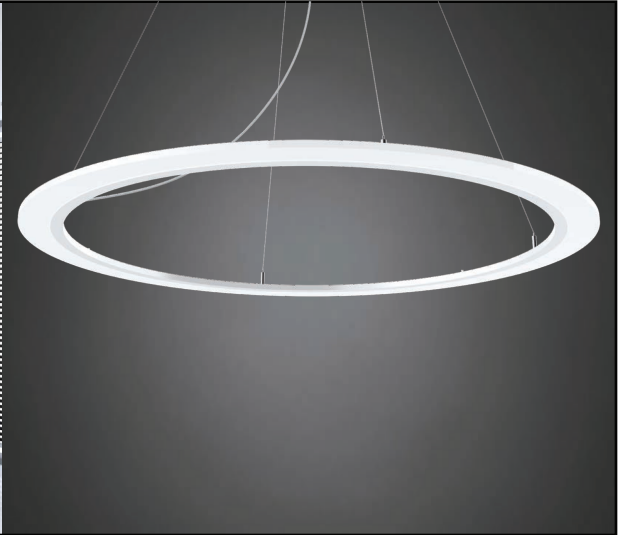


CIRCA 6002™ PENDANT

PROJECT: _____

TYPE: _____

QUANTITY: _____



PN: 6002

APPLICATION	<ul style="list-style-type: none">• PENDANT MOUNT• INDOOR
DIMENSION	<ul style="list-style-type: none">• 17", 24", 32", 40", AND 48" (43CM, 61CM, 81CM, 102CM, 122CM)
ILLUMINATION	<ul style="list-style-type: none">• DIRECT• LED 90CRI• 1,905 - 8,129 LUMENS
DRIVER	<ul style="list-style-type: none">• 120 - 277V• 10kA SURGE SUPPRESSION STANDARD
DIFFUSERS	<ul style="list-style-type: none">• HIGH EFFICIENCY ACRYLIC
MOUNTING	<ul style="list-style-type: none">• 96" (244CM) BLACK OR WHITE DROP CORD W/ AIRCRAFT CABLES
CONSTRUCTION	<ul style="list-style-type: none">• STEEL
FINISHES	<ul style="list-style-type: none">• POWDER COATED MATTE WHITE FINISH
DIMMING	<ul style="list-style-type: none">• 0 - 10V STANDARD DIMMING (1%)
WEIGHT	<ul style="list-style-type: none">• 15 LBS MAXIMUM



DIRECT

TMSLIGHTING



CIRCA 6002™ PENDANT



PROJECT: _____

TYPE: _____

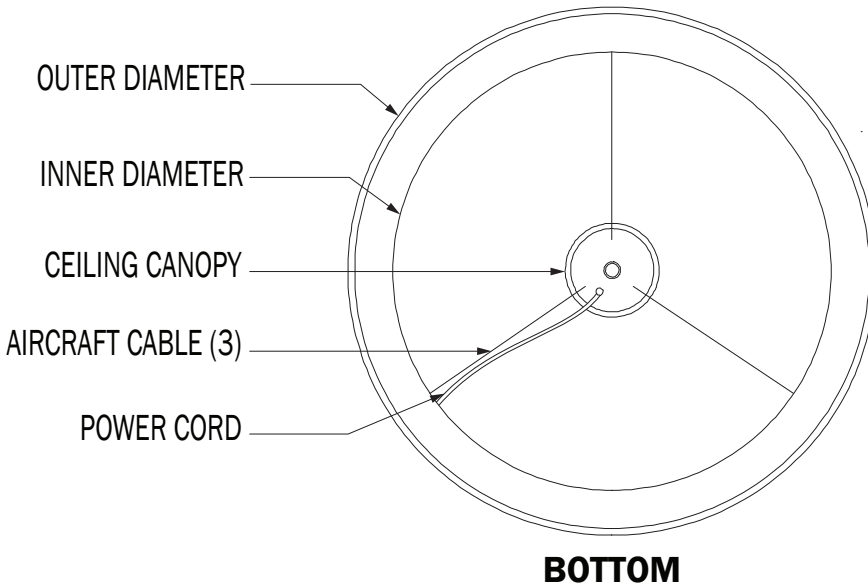
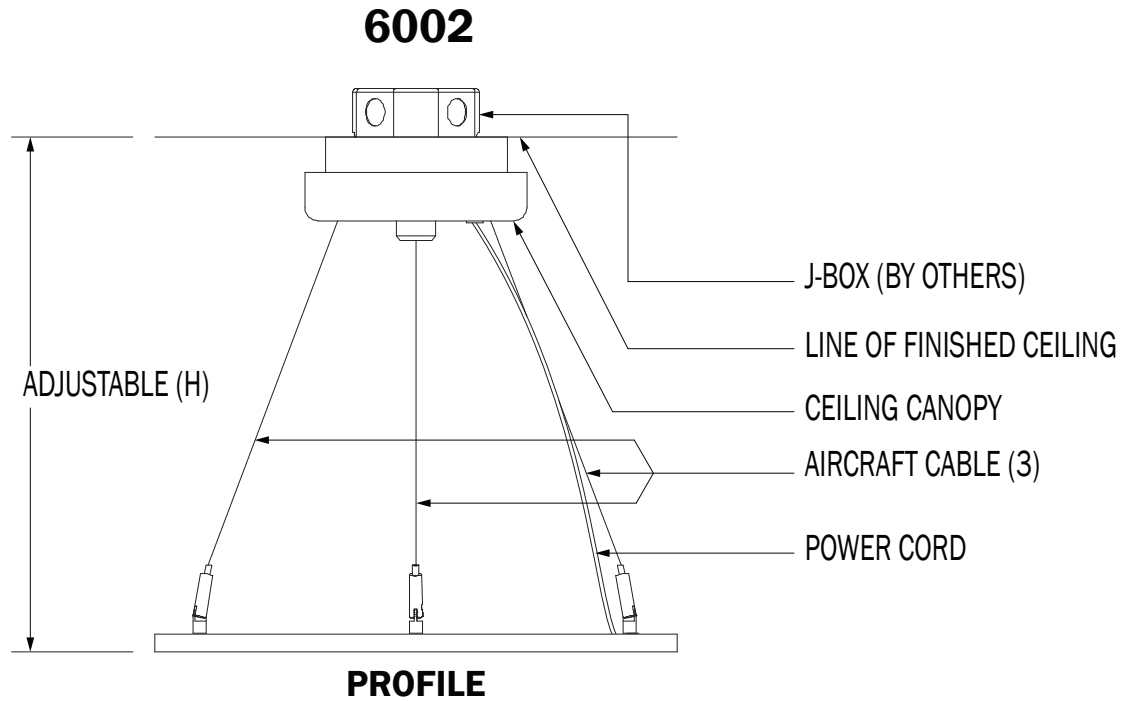
QUANTITY: _____

6002 - - - - -
 1 2 3 4 5

1.	17	24	32	40	48
DIAMETER	17"DIA. (43CM)	24"DIA. (61CM)	32"DIA. (81CM)	40"DIA. (102CM)	48"DIA. (122CM)
LED (W)	15W	30W	40W	50W	60W
LUMENS	1905	3991	5080	6350	8129
2.	30K		35K		40K
LED CCT	3000		3500		4000
3.	120			277	
VOLTAGE	120V			277V	
4.	F04				
FINISH	MATTE WHITE				
5.	---			DIML	
DIMMING	NONE			0 - 10V DIMMING (1%)	

NOTE: SOME OPTIONS MAY NOT BE COMPATIBLE WITH OTHERS. ALL SPECIFICATIONS ARE SUBJECT TO CHANGE WITHOUT NOTICE. CONTACT TMS LIGHTING FOR UPDATED SPECIFICATIONS.

CIRCA 6002™ PENDANT



DIAMETER (INCH)	WEIGHT (LBS)
17" (43CM)	5 LB
24" (61CM)	7 LB
32" (81CM)	10 LB
40" (102CM)	12 LB
48" (122CM)	15 LB

CUSTOM

NOTE: THIS FIXTURE CAN BE CUSTOMIZE. DIMENSION, LAMP TYPES, ENCLOSURE, AND COLOR CAN BE MODIFIED TO SUIT YOUR LIGHTING AND ARCHITECTURAL REQUIREMENTS. CONTACT YOUR LOCAL REPRESENTATIVE FOR MORE DETAILS: <https://tmslighting.com/sales-agents.html>

CIRCA 6002™ PENDANT

DIRECT

PN	SIZE (DIA)	ILLUMINATION	LUMENS	WATTAGE
6002	17	11LED	1905	15
	24	32LED	3991	30
	32	36LED	5080	40
	40	45LED	6350	50
	48	61LED	8129	60

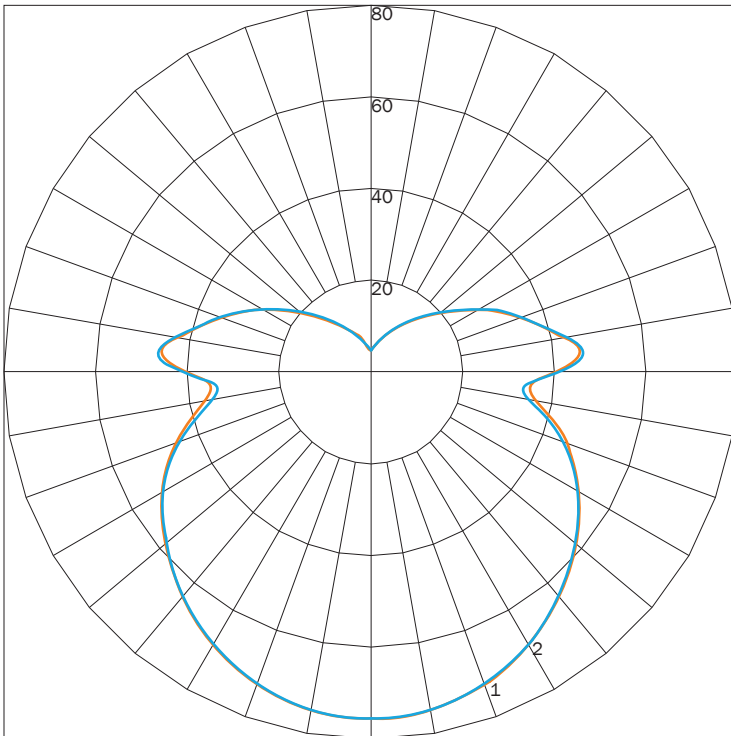
IES INDOOR REPORT

PHOTOMETRIC FILENAME : 6002 17 11LED.IES

IES INDOOR REPORT

PHOTOMETRIC FILENAME : 6002 48 61LED.IES

POLAR GRAPH



MAXIMUM CANDELA = 75.882 LOCATED AT HORIZONTAL ANGLE = 90, VERTICAL ANGLE = 1
 # 1 - VERTICAL PLANE THROUGH HORIZONTAL ANGLES (90 - 270)
 # 2 - VERTICAL PLANE THROUGH HORIZONTAL ANGLES (0 - 180)

LUMINAIRE LUMENS

1905

TOTAL LUMINAIRE EFFICIENCY

98%

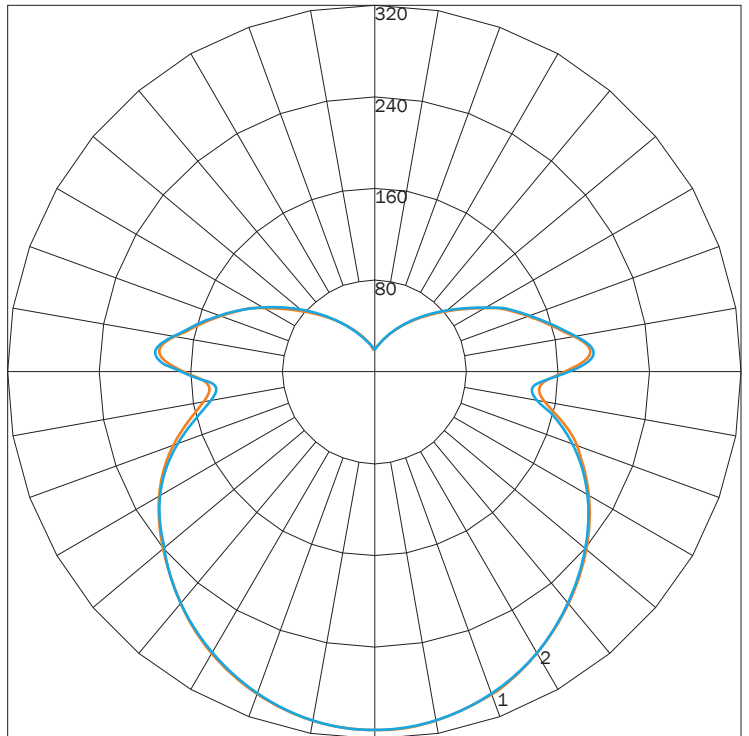
LUMINAIRE EFFICACY RATING

127

TOTAL LUMINAIRE WATTS

15

POLAR GRAPH



MAXIMUM CANDELA = 313.012 LOCATED AT HORIZONTAL ANGLE = 90, VERTICAL ANGLE = 1
 # 1 - VERTICAL PLANE THROUGH HORIZONTAL ANGLES (90 - 270)
 # 2 - VERTICAL PLANE THROUGH HORIZONTAL ANGLES (0 - 180)

LUMINAIRE LUMENS

8129

TOTAL LUMINAIRE EFFICIENCY

98%

LUMINAIRE EFFICACY RATING

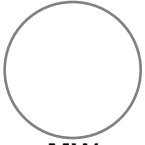
133

TOTAL LUMINAIRE WATTS

60

CIRCA 6002™ PENDANT

AVAILABLE FINISHES



MW
MATTE
WHITE

NOTE: DISPLAYED FINISHES DIFFER BETWEEN SCREENS AS WELL AS PRINTERS AND MAY NOT ACCURATELY DEPICT COLOR.