

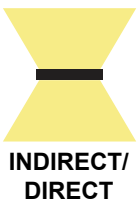
PROJECT: _____

TYPE: _____

QTY: _____



PRODUCT #	6001
APPLICATION	<ul style="list-style-type: none"> • PENDANT MOUNT • INDOOR RATED
DIMENSIONS	<ul style="list-style-type: none"> • 17", 24", 32", 40", AND 48" (43CM, 61CM, 81CM, 102CM, AND 122CM)
ILLUMINATION	<ul style="list-style-type: none"> • INDIRECT/DIRECT • LED 90 CRI • 3,148 - 8,313 LUMEN RANGE
DRIVER	<ul style="list-style-type: none"> • 120 - 277V UNI • 10KA STANDARD SURGE SUPPRESSION
DIFFUSERS	<ul style="list-style-type: none"> • HIGH EFFICIENCY ACRYLIC
MOUNTING	<ul style="list-style-type: none"> • 120" (305CM) POWER OVER SUSPENSION
CONSTRUCTION	<ul style="list-style-type: none"> • STEEL
FINISHES	<ul style="list-style-type: none"> • AVAILABLE IN SEVERAL TMS POWDER COATED FINISHES • CUSTOM RAL FINISHES AVAILABLE
DIMMING	<ul style="list-style-type: none"> • 0-10V (1%) DIMMING
WEIGHT	<ul style="list-style-type: none"> • 5LBS - 15LBS





PROJECT: _____ TYPE: _____ QTY: _____

6001 - - - - -

1 2 3 4 5

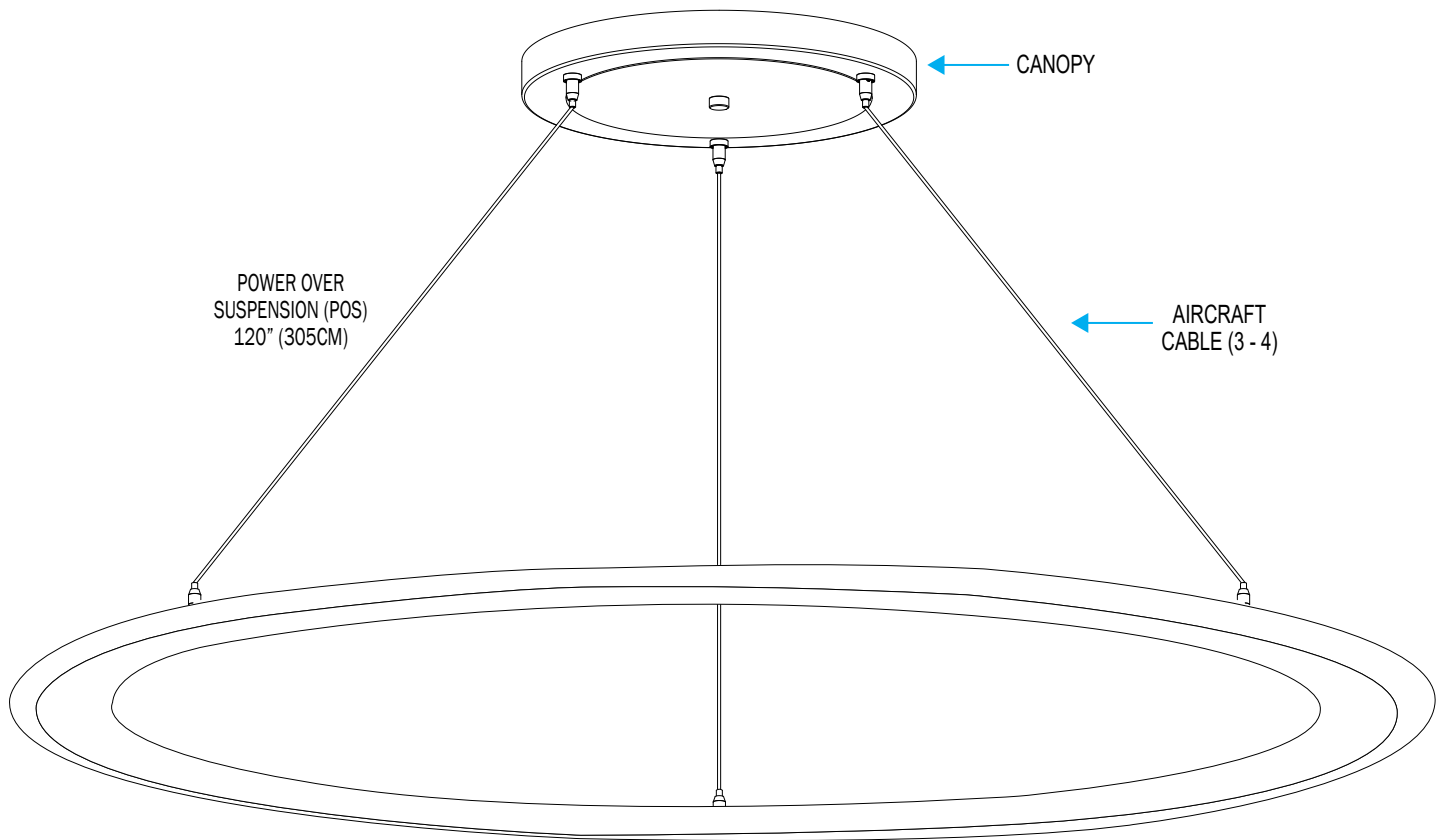
1.	17	24	32	40	48
DIAMETER	17"DIA. (43CM)	24"DIA. (61CM)	32"DIA. (81CM)	40"DIA. (102CM)	48"DIA. (122CM)
LED (W)	24W	32W	46W	61W	75W
LUMENS	3148	3691	5211	7014	8313

2.	30K	35K	40K
LED CCT	3000	3500	4000

3.	UNI
VOLTAGE	120V - 277V

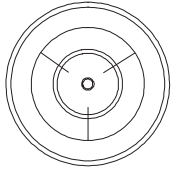
4.	ADDITIONAL AND PREMIUM FINISHES AVAILABLE. SEE FINISHES CHART						
FINISH	F04	F05	F15	F16	F09	F31	F18
	MATTE WHITE	GLOSS WHITE	MATTE BLACK	GLOSS BLACK	PEWTER	SILVER METALLIC	SATIN ALUMINUM

5.	---	DIML
DIMMING	NONE	0-10V (1%) DIMMING



NOTE: J-BOX BY OTHERS

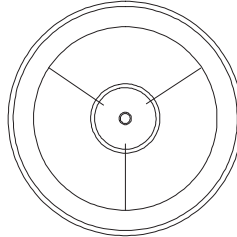
CIRCA - 17" DIA. (43CM)



OUTER DIAMETER: 16.5" (42CM)
INNER DIAMETER: 11.42" (29CM)

5 LB

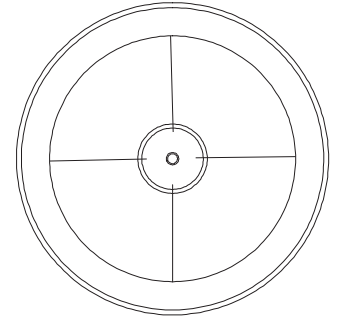
CIRCA - 24" DIA. (61CM)



OUTER DIAMETER: 23.6" (60CM)
INNER DIAMETER: 18.5" (47CM)

7 LB

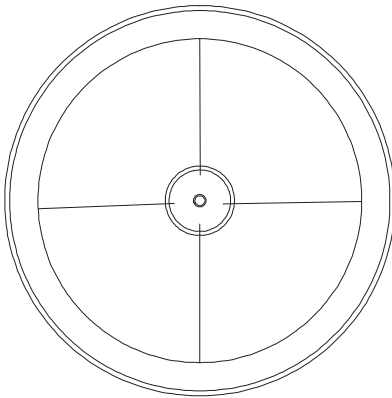
CIRCA - 32" DIA. (81CM)



OUTER DIAMETER: 31.5" (80CM)
INNER DIAMETER: 24.8" (63CM)

10 LB

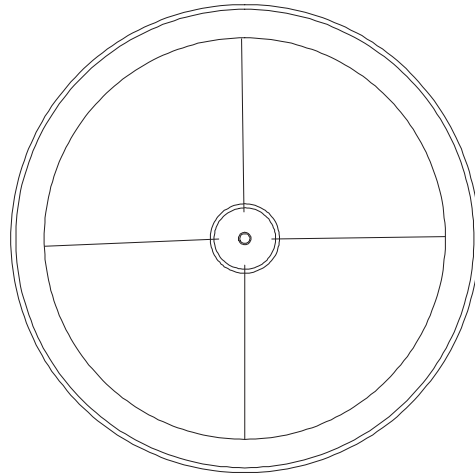
CIRCA - 40" DIA. (102CM)



OUTER DIAMETER: 39.4" (100CM)
INNER DIAMETER: 32.7" (83CM)

12 LB

CIRCA - 48" DIA. (122CM)



OUTER DIAMETER: 47.25" (120CM)
INNER DIAMETER: 40.6" (103CM)

15 LB

DIRECT LIGHTING

SIZE (DIA)	LUMENS	WATTAGE
17	3148	24
24	3691	32
25	5211	46
40	7014	61
48	8313	75

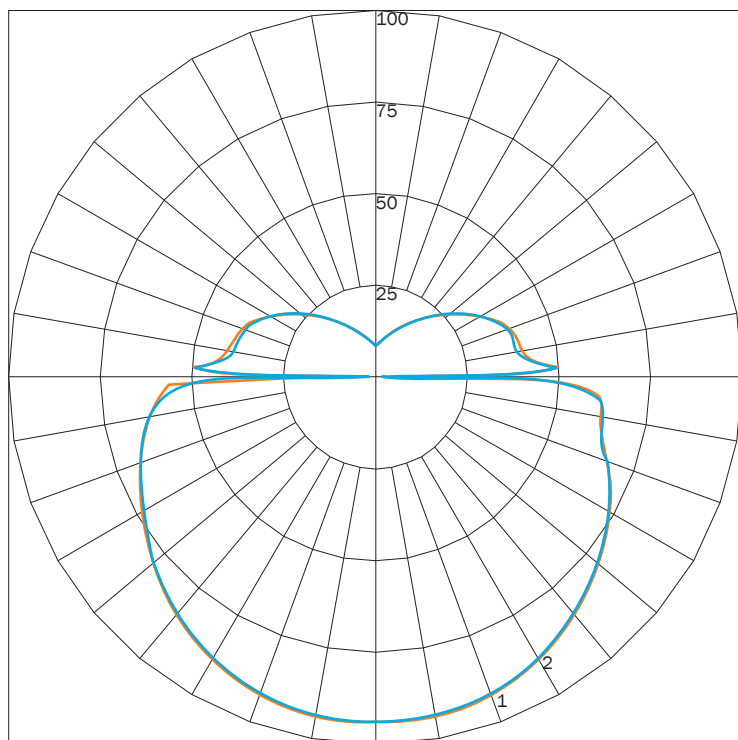
IES INDOOR REPORT

PHOTOMETRIC FILENAME : 6001 17 35K UNI F05 DIML.IES

IES INDOOR REPORT

PHOTOMETRIC FILENAME : 6001 48 35K UNI F05 DIML.IES

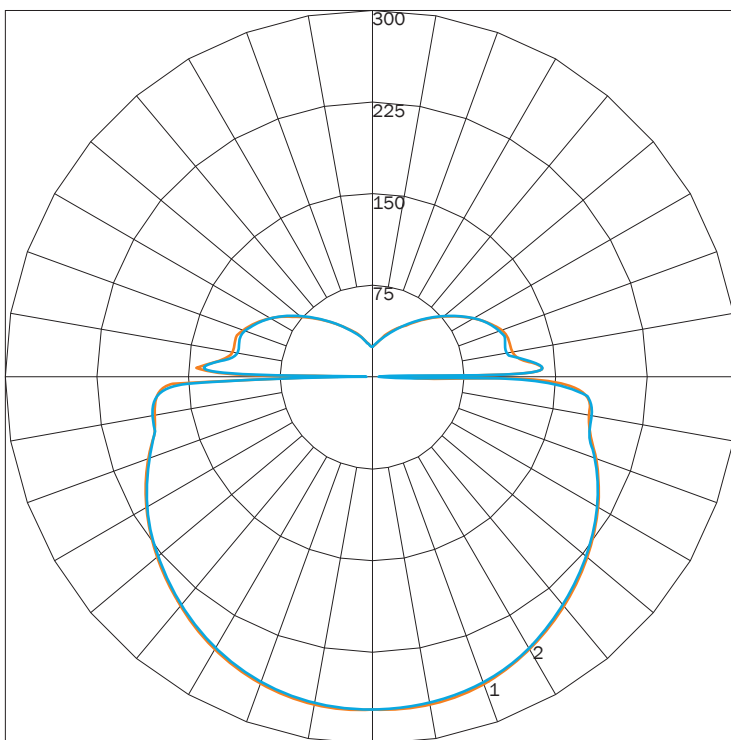
POLAR GRAPH



MAXIMUM CANDELA = 94.185 LOCATED AT HORIZONTAL ANGLE = 90, VERTICAL ANGLE = 2
 # 1 - VERTICAL PLANE THROUGH HORIZONTAL ANGLES (90 - 270)
 # 2 - VERTICAL PLANE THROUGH HORIZONTAL ANGLES (0 - 180)

LUMINAIRE LUMENS 665
TOTAL LUMINAIRE EFFICIENCY 98%
LUMINAIRE EFFICACY RATING 50
TOTAL LUMINAIRE WATTS 13

POLAR GRAPH



MAXIMUM CANDELA = 272.499 LOCATED AT HORIZONTAL ANGLE = 90, VERTICAL ANGLE = 2
 # 1 - VERTICAL PLANE THROUGH HORIZONTAL ANGLES (90 - 270)
 # 2 - VERTICAL PLANE THROUGH HORIZONTAL ANGLES (0 - 180)

LUMINAIRE LUMENS 1889
TOTAL LUMINAIRE EFFICIENCY 98%
LUMINAIRE EFFICACY RATING 50
TOTAL LUMINAIRE WATTS 37

STANDARD



PREMIUM



NOTE: DISPLAYED FINISHES DIFFER BETWEEN SCREENS AS WELL AS PRINTERS AND MAY NOT ACCURATELY DEPICT COLOR.