

CIRCA 6001™ PENDANT

PROJECT: _____

TYPE: _____

QUANTITY: _____



PN: 6001

APPLICATION	<ul style="list-style-type: none">• PENDANT MOUNT• INDOOR
DIMENSION	<ul style="list-style-type: none">• 17", 24", 32", 40", AND 48" (43CM, 61CM, 81CM, 102CM, 122CM)
ILLUMINATION	<ul style="list-style-type: none">• DIRECT• LED 90CRI• 650 - 1,880 LUMENS
DRIVER	<ul style="list-style-type: none">• 120 - 277V• 10kA SURGE SUPPRESSION STANDARD
DIFFUSERS	<ul style="list-style-type: none">• HIGH EFFICIENCY ACRYLIC
MOUNTING	<ul style="list-style-type: none">• 96" (244CM) BLACK OR WHITE DROP CORD W/ AIRCRAFT CABLES
CONSTRUCTION	<ul style="list-style-type: none">• STEEL
FINISHES	<ul style="list-style-type: none">• POWDER COATED MATTE WHITE FINISH
DIMMING	<ul style="list-style-type: none">• 0 - 10V STANDARD DIMMING
WEIGHT	<ul style="list-style-type: none">• 15 LBS MAXIMUM



DIRECT

TMSLIGHTING



CIRCA 6001™ PENDANT



PROJECT: _____

TYPE: _____

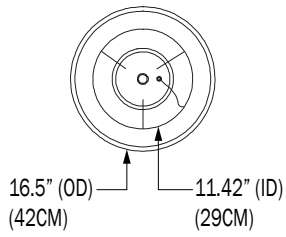
QUANTITY: _____

6001 - - - - -
 1 2 3 4 5

1.	17	24	32	40	48
DIAMETER	17"DIA. (43CM)	24"DIA. (61CM)	32"DIA. (81CM)	40"DIA. (102CM)	48"DIA. (122CM)
LED (W)	13W	19W	25W	31W	37W
LUMENS	650	938	1251	1563	1880
2.	30K		35K		40K
LED CCT	3000		3500		4000
3.	120			277	
VOLTAGE	120V			277V	
4.	MW				
FINISH	MATTE WHITE				
5.	---			DIML	
DIMMING	NONE			0 - 10V DIMMING (1%)	

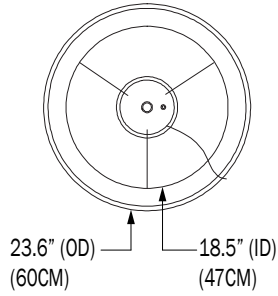
NOTE: SOME OPTIONS MAY NOT BE COMPATIBLE WITH OTHERS. ALL SPECIFICATIONS ARE SUBJECT TO CHANGE WITHOUT NOTICE. CONTACT TMS LIGHTING FOR UPDATED SPECIFICATIONS.

CIRCA 6001™ PENDANT



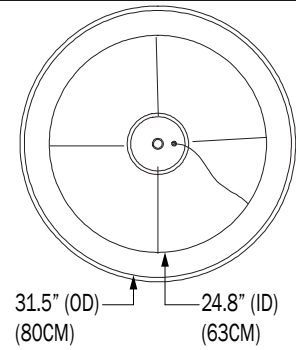
5LB

17



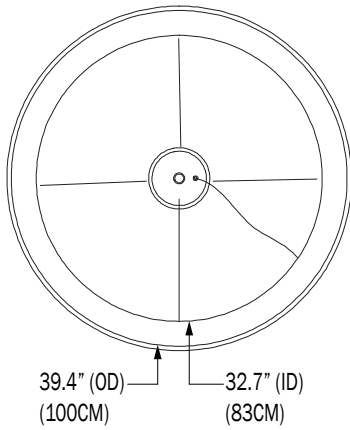
7LB

24



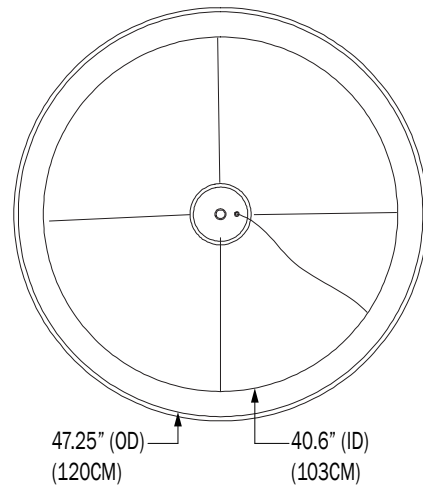
10LB

32



12LB

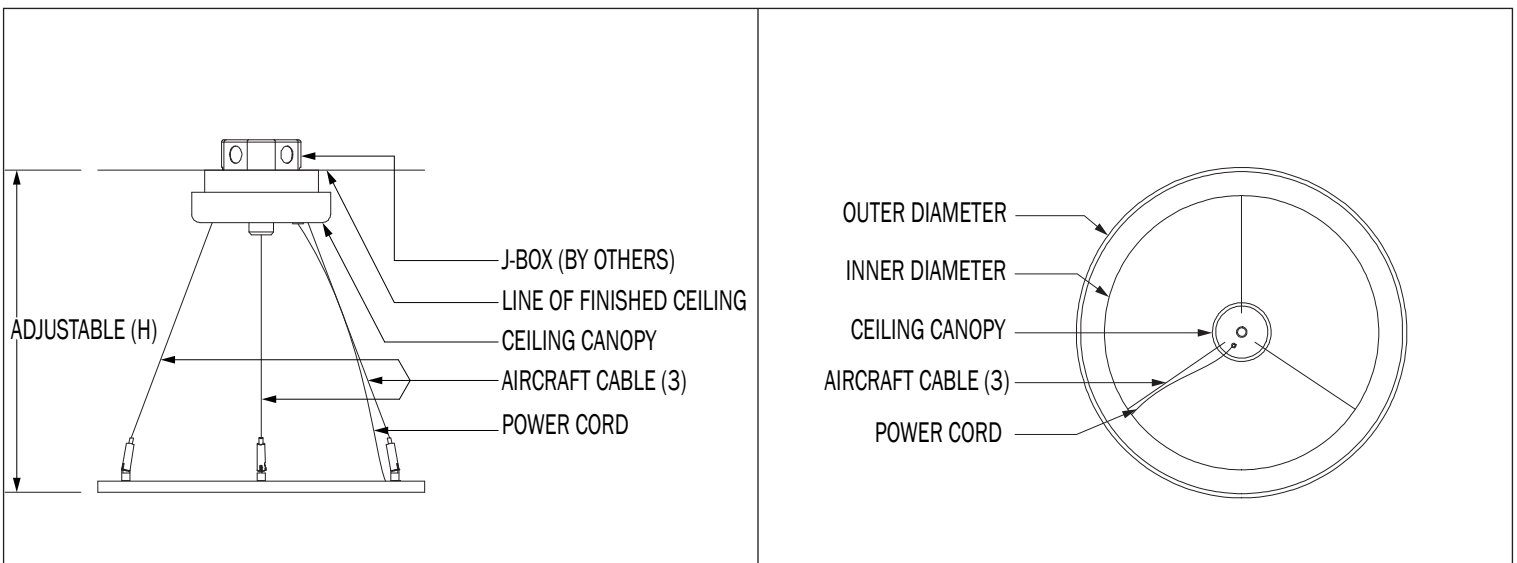
40



15LB

48

6001



CIRCA 6001TM PENDANT

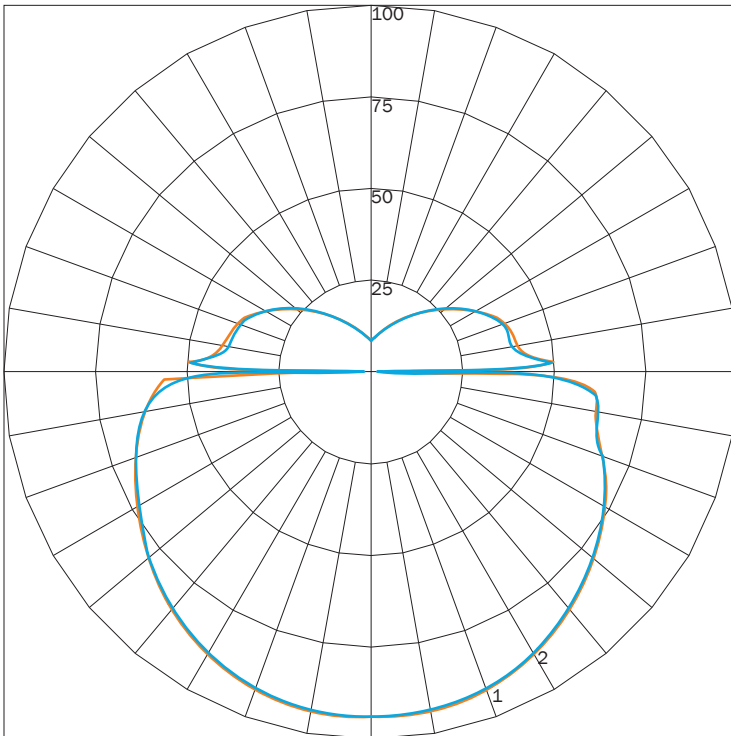
DIRECT

PN	LUMENS	WATTAGE
17	650	13
24	938	19
25	1251	25
40	1563	31
48	1880	37

IES INDOOR REPORT

PHOTOMETRIC FILENAME : 6001 17 13LED.IES

POLAR GRAPH



MAXIMUM CANDELA = 94.185 LOCATED AT HORIZONTAL ANGLE = 90, VERTICAL ANGLE = 2
 # 1 - VERTICAL PLANE THROUGH HORIZONTAL ANGLES (90 - 270)
 # 2 - VERTICAL PLANE THROUGH HORIZONTAL ANGLES (0 - 180)

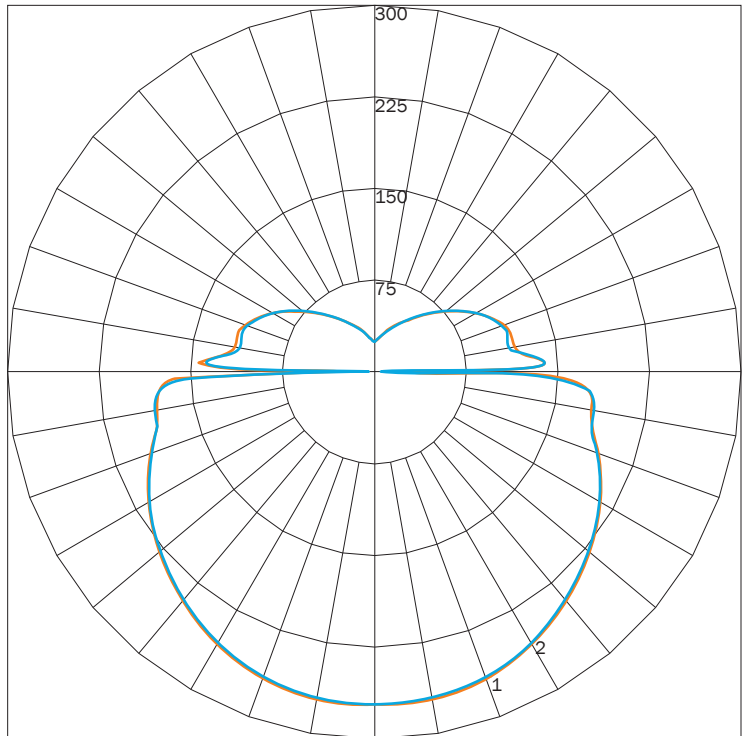
LUMINAIRE LUMENS
TOTAL LUMINAIRE EFFICIENCY
LUMINAIRE EFFICACY RATING
TOTAL LUMINAIRE WATTS

665
 98%
 50
 13

IES INDOOR REPORT

PHOTOMETRIC FILENAME : 6001 48 13LED.IES

POLAR GRAPH



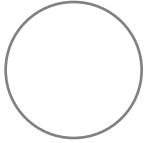
MAXIMUM CANDELA = 272.499 LOCATED AT HORIZONTAL ANGLE = 90, VERTICAL ANGLE = 2
 # 1 - VERTICAL PLANE THROUGH HORIZONTAL ANGLES (90 - 270)
 # 2 - VERTICAL PLANE THROUGH HORIZONTAL ANGLES (0 - 180)

LUMINAIRE LUMENS
TOTAL LUMINAIRE EFFICIENCY
LUMINAIRE EFFICACY RATING
TOTAL LUMINAIRE WATTS

1889
 98%
 50
 37

CIRCA 6001TM PENDANT

AVAILABLE FINISHES



MW
MATTE
WHITE

NOTE: DISPLAYED FINISHES DIFFER BETWEEN SCREENS AS WELL AS PRINTERS AND MAY NOT ACCURATELY DEPICT COLOR.