

Cambridge OH



TMSLIGHTING

ESTABLISHED 1923

Features

- Architectural design to complement corporate environments; fascia design customizable for corporate identity
- Available in 3 sizes for application and aesthetic proportion
- Projects a wide forward pattern, with up and downlight for a unique grazing effect
- Surge suppressor protects the internal components
- Smooth dimming option, without any color shift
- Stays ON in case of a power interruption with the optional emergency ballast
- Quality components combined with the most current technology for high efficiency and reduced lighting cost

Applications

The Cambridge OH wall sconce is ideal for illuminating indoor areas such as entrances, lobbies, hallways, stairways and other areas that could benefit from clean light and today's aesthetics.

Construction

Formed from steel, with UV-stabilized acrylic diffusers and dust covers. Available in 13", 18" and 24" height models for application and aesthetic proportion.

Lamp

14W max. full spectrum Cree™ LED (CRI 80), 18W Cree™ RGB LED (controls by others), or 2x 55W max. compact fluorescent sources. Specify 3000K, 3500K, or 4000K CCT for full spectrum LED systems.

LED Driver

The LED sources are controlled by an advanced, integral electronic driver that delivers consistent power.

Ballast

Ballasts are integral and electronic. They are efficient with a high power factor greater than 90%, and quiet with an "A" sound rating.

Diffuser

The diffuser and dust covers are formed with UV-stabilized acrylic, and secured into the enclosure. Clear, opal-white, and faux perforated acrylic types are available.

Dimming

CF dimming options include the Mark 7 ® (0-10V), Mark 10 ® (line voltage), DALI (addressable), or Ecosystem ®.

The LED dimming option is the 0-10V current-sinking type, with pulse width modulation (PWM) and current-sinking control.

Note: Use a current-sinking dimming system (by others) with the LED dimming option. Compatibility of this product is not guaranteed with all control systems.

Surge Suppressor

All 120V, 277V, and universal voltage LED luminaires are equipped with an integral, 6kV surge suppressor.

Emergency

For CF lamps, an optional, integral, canopy-mounted, emergency back-up is available, where power is supplied to just 1 lamp. Standard and cold temperature versions are available. The test switch and indicator light are remotely mounted.

Finish

Available in several TMS plated, polyester powder coated, and RAL finishes. See the Finishes and Diffusers chart.

Mounting

Mount on a flat wall, directly over a standard 4" electrical junction box. The distance from the top of the luminaire to the ceiling should exceed the height of the fascia. This would allow removal of the fascia for installation and re-lamping.

Follow the installation instructions, and adhere to your local electrical code.

Compliances

QPS-C/US, or UL-C/US certified to UL1598 standards, and the Americans with Disabilities Act (ADA). Rated IP20 for dry, indoor applications. The Consultants Europe (CE) listing is available upon request.



Cambridge OH

TMSLIGHTING

ESTABLISHED 1923

CA100OH

1 2 3 4 5 6 7 8

Project: _____
Type: _____
Quantity: _____

Notes:

1 • Size

13: 13" h x 8.5" w x 4" d (22 x 33 x 10 cm)
18: 18" h x 9" w x 4" d (23 x 46 x 10 cm)
24: 24" h x 10" w x 4" d (25 x 61 x 10 cm)

2 • Lamping

13CF2: 2x 13W PL-C (13" height)
18CF2: 2x 18W PL-C (13" height)
24CF2: 2x 24/27W PL-L (18" height)
36CF: 36/39W PL-L (24" height)
36CF2: 2x 36/39W PL-L (24" height)
55CF: 55W PL-C (24" height)
55CF2: 2x 55W PL-C (24" height)
14LED: 14W LED (13-18" height, CRI 80)
28LED: 28W LED (24" height, CRI 80)
RGB: 18W RGB LED (18" height)
Note: Control systems are by others.

3 • LED CCT (color temp.)

30K: 3000K
35K: 3500K
40K: 4000K

4 • Voltage

120: 120V
277: 277V
347: 347V (CF only)

5 • Finish

Plated

SN: Satin nickel
CH: Chrome
BC: Black chrome
AC: Antique copper
AB: Antique brass
SB: Satin brass
PB: Polished brass

Powder-coated

F05: White
F09: Pewter
F15: Matte black
F16: Gloss black
F18: Satin aluminum
F19: Mirror silver
F24: Melted platinum (textured)
F25: Melted gold (textured)
F26: Melted copper (textured)
F31: Silver metallic
F33: Pyrite bronze
RAL: RAL custom color (specify)

6 • Diffuser

OP: Opal-white acrylic
SD: Sand-blasted, white acrylic
FPD: Faux perforated acrylic

7 • Dimming

—: None
DIM: CF dimming (Advance Mark 10 ®)
DIMV: CF dimming (Advance Mark 7 ®, 0-10V)
DIMD: CF dimming (Advance DALI)
DIME: CF dimming (Lutron Ecosystem ®)
DIML: LED dimming (0-10V, current-sinking)
Note: Use a current-sinking dimming system (by others) with the LED dimming option.
N/a with 347V systems.
Compatibility of this product is not guaranteed with all control systems.

8 • Emergency

—: None
EMR: Remote CF (7 ft. max. distance from lamp to EM; min. operating temp. +5°C/+40°F)
Note: Not available with 347V systems.

Note: Some options may not be compatible with others. To ensure compatibility, please go to <http://tmslighting.com>, on the "configure" page of this luminaire, and use the configuration tool.

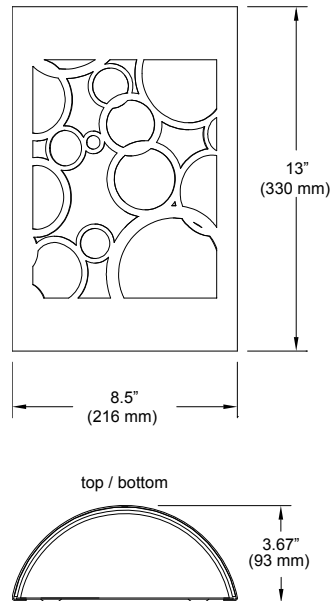


Cambridge OH

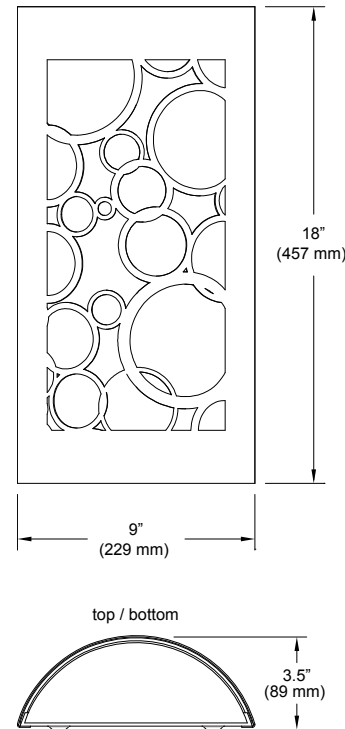
TMSLIGHTING

ESTABLISHED 1923

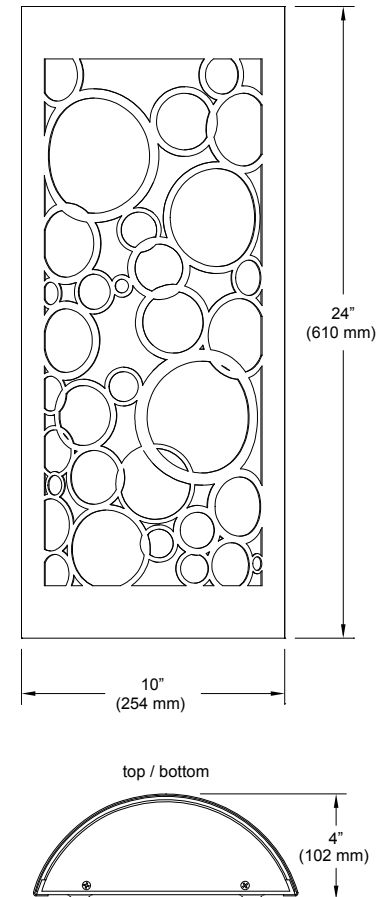
CA100OH-13



CA100OH-18



CA100OH-24



Custom

TMS Lighting can customize this and many of our standard fixtures. The dimensions, lamp types, enclosure and colors could be modified to suit your lighting and architectural requirements. Contact your local representative for more details: <http://tmslighting.com/info/agents>

TMS Lighting Inc.
247A Summerlea Road,
Brampton, Ontario,
Canada. L6T 4E1
Web Site: tmslighting.com

North America: (905) 793-1174
Toll-free: (866) 793-1174
Fax: (905) 793-1175
UK & Europe: 44-1474-250-654

Specifications are subject to change without notice.