

CAMBRIDGE HS™ SCONCE

PROJECT: _____

TYPE: _____

QUANTITY: _____



PN: CA100HS

APPLICATION	<ul style="list-style-type: none">• WALL MOUNT• INDOOR RATED
DIMENSION	<ul style="list-style-type: none">• 13"H, 18"H, 24"H (33CM, 46CM, 61CM)• DEPTH: 3.9" (9.9CM)
ILLUMINATION	<ul style="list-style-type: none">• DIFFUSE• LED 90CRI• 390 - 501 LUMENS
ELECTRICAL	<ul style="list-style-type: none">• 120V, 277V AND 347V• 10KA SURGE SUPPRESSION STANDARD
DIFFUSERS	<ul style="list-style-type: none">• HIGH EFFICIENCY ACRYLIC
MOUNTING	<ul style="list-style-type: none">• WALL, MOUNTED TO A 4"(10CM) J-BOX
CONSTRUCTION	<ul style="list-style-type: none">• STEEL
FINISHES	<ul style="list-style-type: none">• AVAILABLE IN SEVERAL TMS PLATED, AND POWDER COATED FINISHES• CUSTOM RAL FINISHES AVAILABLE
DIMMING	<ul style="list-style-type: none">• 0 - 10V STANDARD DIMMING



DIFFUSE

CAMBRIDGE HS™ SCONCE



PROJECT: _____

TYPE: _____

QUANTITY: _____

CA100HS

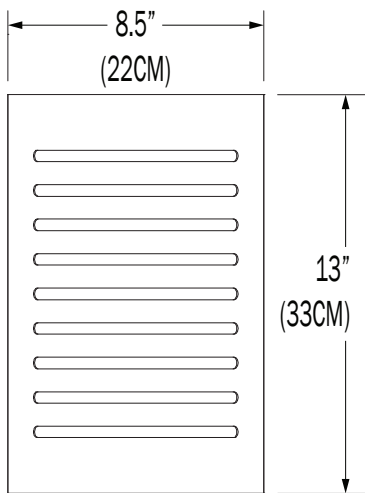
1 2 3 4 5 6 7

1.	13			18			24			
SIZE	8.5"W X 13"H X 4"D (22CM X 33CM X 10CM)			9"W X 18"H X 4"D (23CM X 46CM X 10CM)			10"W X 24"H X 4"D (25CM X 61CM X 10CM)			
2.										
ILLUMINATION	14LED			14LED		RGB (18LED)		28LED		
LED (W)	14W			14W		18W		28W		
LUMENS	472			390		---		501		
3.	---			30K		35K		40K		
LED CCT	NONE			3000		3500		4000		
4.	120			277			347			
VOLTAGE	120V			277V			347V			
5.	SN	CH	BC	AC	AB	SB	PB	F04	F05	F09
FINISH	SATIN NICKEL	CHROME	BLACK CHROME	ANTIQUE COPPER	ANTIQUE BRASS	SATIN BRASS	POLISHED BRASS	MATTE WHITE	GLOSS WHITE	PEWTER
	F15	F16	F18	F24	F25	F26	F31	F33	RAL	
	MATTE BLACK	GLOSS BLACK	SATIN ALUMINUM	MELTED PLATINUM	MELTED GOLD	MELTED COPPER	SILVER METALLIC	PYRITE BRONZE	CUSTOM (SPECIFY)	
6.	OP			SD			FPD			
DIFFUSER	OPAL - WHITE ACRYLIC			SAND - BLASTED WHITE ACRYLIC			FAUX PERFORATED			
7.	---			DIML						
DIMMING	NONE			LED DIMMING (0 - 10V, CURRENT - SINKING)						

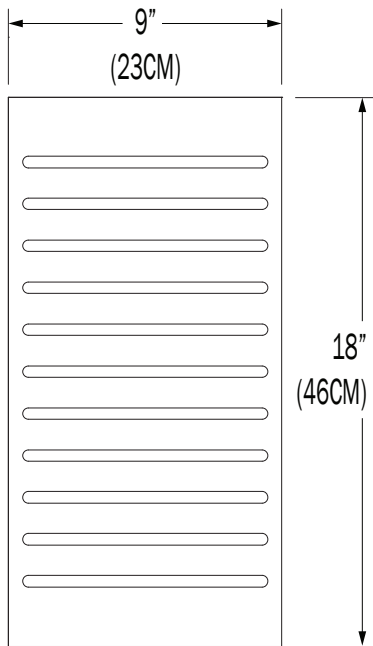
NOTE: SOME OPTIONS MAY NOT BE COMPATIBLE WITH OTHERS. ALL SPECIFICATIONS ARE SUBJECT TO CHANGE WITHOUT NOTICE. CONTACT TMS LIGHTING FOR UPDATED SPECIFICATIONS.

PROFILE

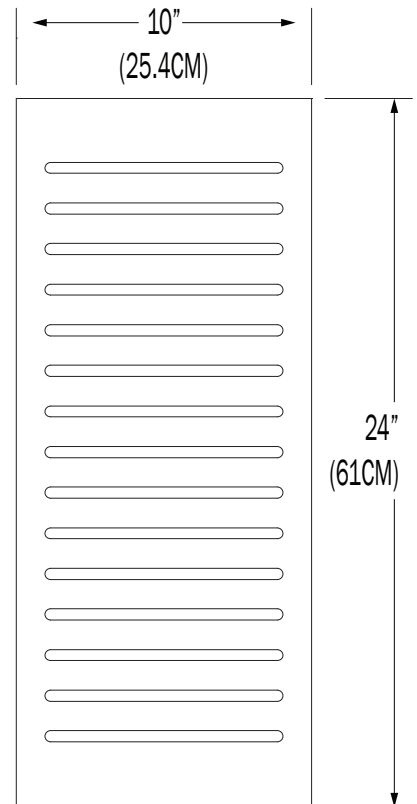
CA1000H - 13"



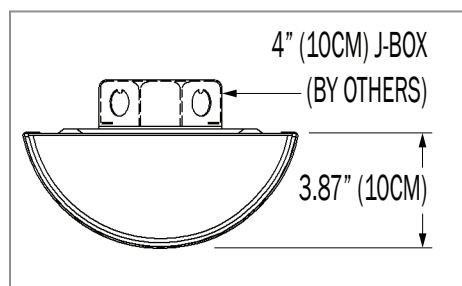
CA1000H - 18"



CA1000H - 24"



TOP/BOTTOM



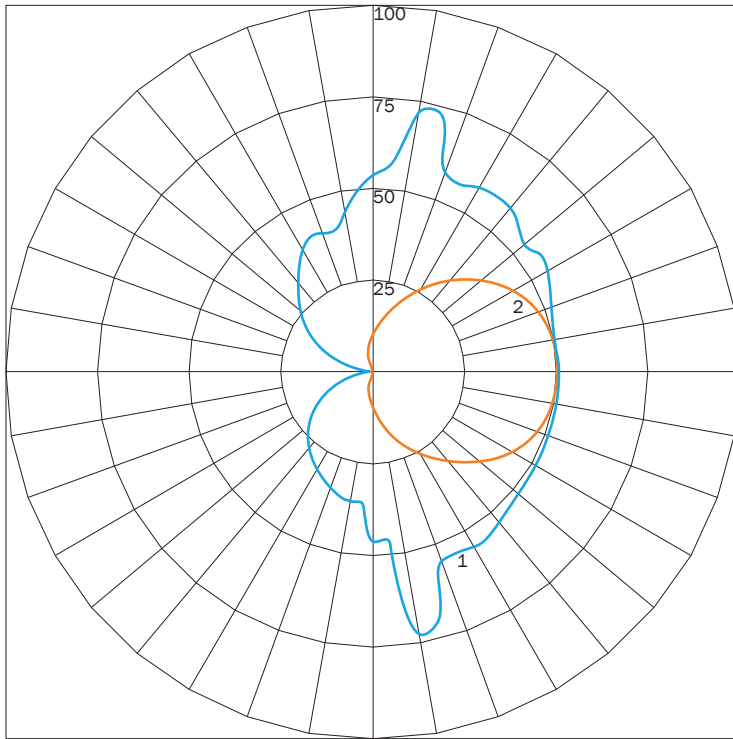
DIRECT

PN	SIZES	ILLUMINATION	DIFFUSER	LUMENS	WATTAGE
CA100HS	13	14LED	OP	472	14
	18	14LED	OP	390	14
	24	28LED	OP	501	28

IES INDOOR REPORT

PHOTOMETRIC FILENAME : CA100HS 18 14LED F05 OP.IES

POLAR GRAPH



MAXIMUM CANDELA = 81.25 LOCATED AT HORIZONTAL ANGLE = 30, VERTICAL ANGLE = 165
 # 1 - VERTICAL PLANE THROUGH HORIZONTAL ANGLES (0 - 180)
 # 2 - HORIZONTAL CONE THROUGH VERTICAL ANGLE (90)

LUMINAIRE LUMENS

390

TOTAL LUMINAIRE EFFICIENCY

NA

LUMINAIRE EFFECIENCY RATING

24

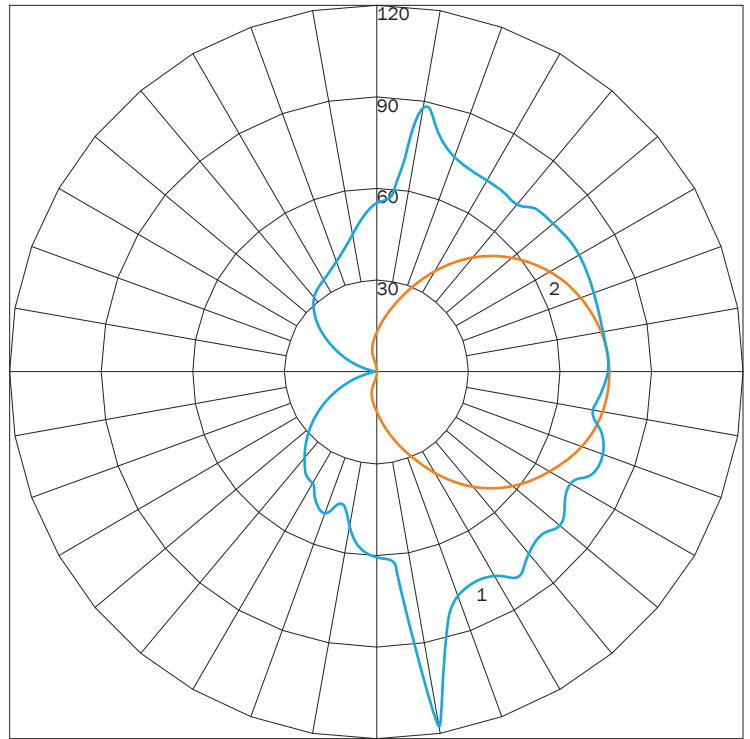
TOTAL LUMINAIRE WATTS

16

IES INDOOR REPORT

PHOTOMETRIC FILENAME : CA100HS 24 28LED F05.IES

POLAR GRAPH



MAXIMUM CANDELA = 117.65 LOCATED AT HORIZONTAL ANGLE = 0, VERTICAL ANGLE = 10
 # 1 - VERTICAL PLANE THROUGH HORIZONTAL ANGLES (0 - 180)
 # 2 - HORIZONTAL CONE THROUGH VERTICAL ANGLE (90)

LUMINAIRE LUMENS

501

TOTAL LUMINAIRE EFFICIENCY

NA

LUMINAIRE EFFECIENCY RATING

18

TOTAL LUMINAIRE WATTS

28

AVAILABLE FINISHES



SN
SATIN
NICKEL



CH
CHROME



BC
BLACK
CHROME



AC
ANTIQUÉ
COPPER



AB
ANTIQUÉ
BRASS



SB
SATIN
BRASS



PB
POLISHED
BRASS



F04
MATTE
WHITE



F05
GLOSS
WHITE



F09
PEWTER



F15
MATTE
BLACK



F16
GLOSS
BLACK



F18
SATIN
ALUMINUM



F24
MELTED
PLATINUM



F25
MELTED
GOLD



F26
MELTED
COPPER



F31
SILVER
METALLIC



F33
PYRITE
BRONZE



RAL
CUSTOM
COLOR
(RAL #)

NOTE: DISPLAYED FINISHES DIFFER BETWEEN SCREENS AS WELL AS PRINTERS AND MAY NOT ACCURATELY DEPICT COLOR.