

PROJECT: _____

TYPE: _____

QUANTITY: _____



PN: 2W

APPLICATION	<ul style="list-style-type: none"> • WALL MOUNT • INDOOR OR OUTDOOR RATED
DIMENSION	<ul style="list-style-type: none"> • 16" (41CM)
ILLUMINATION	<ul style="list-style-type: none"> • DIRECT • LED 90CRI • INCANDESCENT MEDIUM BASE SOCKET • 753 - 1602 LUMENS
ELECTRICAL	<ul style="list-style-type: none"> • 120V, 277V, AND 347V • 10KA SURGE SUPPRESSION STANDARD
DIFFUSERS	<ul style="list-style-type: none"> • CLEAR OR FROSTED, ELONGATED, GLASS GLOBE • CLEAR, FLAT LENS
DRIVER	<ul style="list-style-type: none"> • WALL MOUNT (INTEGRAL) • REMOTE MOUNT (INDOOR OR OUTDOOR)
MOUNTING	<ul style="list-style-type: none"> • WALL, MOUNTED TO A 4"(10CM) J-BOX
CONSTRUCTION	<ul style="list-style-type: none"> • ALUMINUM
FINISHES	<ul style="list-style-type: none"> • AVAILABLE ANODIZED, BRUSHED, AND IN SEVERAL TMS POWDER COATED FINISHES • CUSTOM RAL FINISHES AVAILABLE
DIMMING	<ul style="list-style-type: none"> • 0 - 10V STANDARD DIMMING
WEIGHT	<ul style="list-style-type: none"> • 7.5 LBS MAXIMUM



DIRECT

CALVIN™ WALL



PROJECT: _____
 TYPE: _____
 QUANTITY: _____

2W

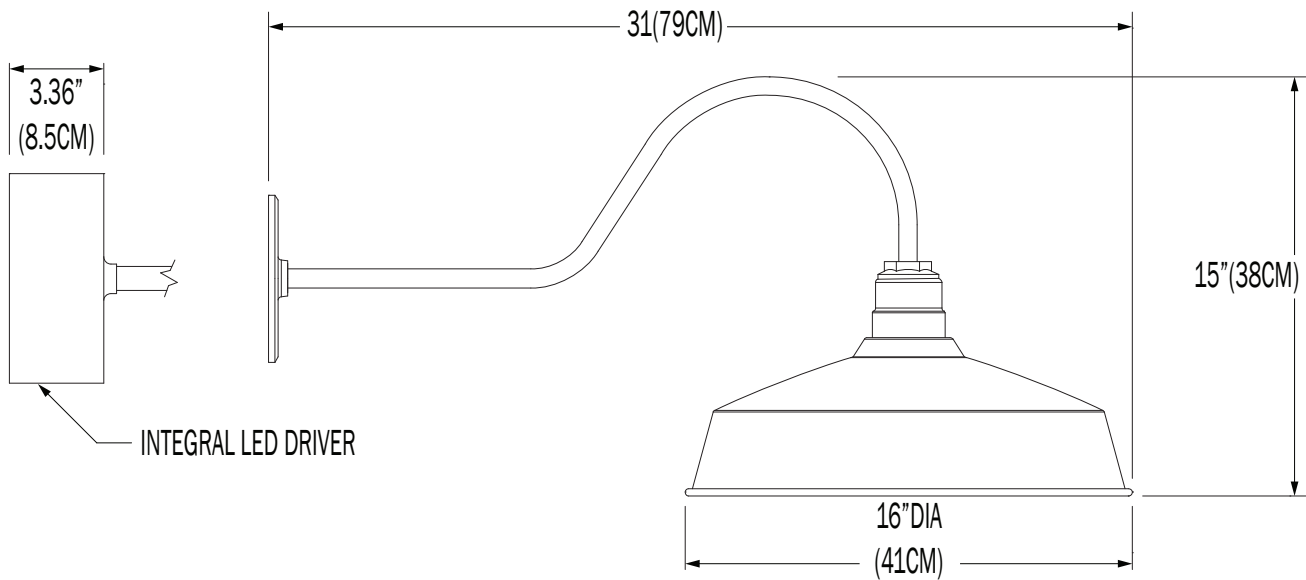
1 2 3 4 5 6 7 8 9 10

1.	I					O				
APPLICATION	INDOOR					OUTDOOR				
2.	ILLUMINATION									
	150IN		15LED		17LED			19LED		
LED (W)	150W		15W		17W PAR38 E26 MED. BASE, 4000K, 60°			19W		
LUMENS	2158		1351		---			1803		
3.	---		30K		35K			40K		
LED CCT	NONE		3000K		3500K			4000K		
4.	120		277			347				
VOLTAGE	120V		277V			347V				
5.	---		WM		N1			N4		
DRIVER	NONE		WALL MOUNT (INTEGRAL)		REMOTE INDOOR MOUNT (NEMA 1)			REMOTE OUTDOOR MOUNT (NEMA 4)		
6.	F04	F05	F15	F16	F09	F31	F18	F06	F07	F08
FINISH	MATTE WHITE	GLOSS WHITE	MATTE BLACK	GLOSS BLACK	PEWTER	SILVER METALLIC	SATIN ALUMINUM	CLAY BROWN	ZEUS BROWN	MIDNIGHT BLUE
	F10	F11	F13	F14	F21	F22	F24	F25	F26	F28
	FIRE RED	CITRUS ORANGE	FOREST GREEN	SUNSHINE YELLOW	ARCH. BRONZE	HARVEST GOLD	MELTED PLATINUM	MELTED GOLD	MELTED COPPER	DARK CAMPAGNE
	F32	F33	F38	F39	F40	F41	F42	F43	F44	F45
	BRONZE METALLIC	PYRITE BRONZE	MEADOW GREEN	AQUA BLUE	BUBBLE PINK	ELECTRIC PURPLE	FAUX CHROME	FAUX GOLD	FAUX COPPER	COPPER METALLIC
	RAL	BR	AN							
CUSTOM (SPECIFY RAL)	BRUSHED ALUMINUM	ANODIZED								
7.	---					DIML				
DIMMING	NONE					LED DIMMING (0 - 10V, CURRENT - SINKING)				
8.	---		EM		EMC		EMR		EMCR	
EMERGENCY ¹	NONE		INTEGRAL		INTEGRAL COLD PACK		REMOTE		REMOTE COLD PACK	
9.	---		G1		G2		LNC			
GLOBE/LENS	NONE		CLEAR, ELONGATED GLOBE		FROSTED GLOBE		CLEAR LENS			
10.	---					W16				
WIRE GUARD	NONE					W16" WIRE GUARD				

1. 10W AT 90 MINUTES. EMERGENCY OPTION IS ONLY AVAILABLE IN 120 - 277V SYSTEMS
 NOTE: SOME OPTIONS MAY NOT BE COMPATIBLE WITH OTHERS. **ALL SPECIFICATIONS ARE SUBJECT TO CHANGE WITHOUT NOTICE.** CONTACT TMS LIGHTING FOR UPDATED SPECIFICATIONS.

2W

PROFILE



CUSTOM

NOTE: THIS FIXTURE CAN BE CUSTOMIZE. DIMENSION, LAMP TYPES, ENCLOSURE, AND COLOR CAN BE MODIFIED TO SUIT YOUR LIGHTING AND ARCHITECTURAL REQUIREMENTS. CONTACT YOUR LOCAL REPRESENTATIVE FOR MORE DETAILS: <https://tmslighting.com/sales-agents.html>

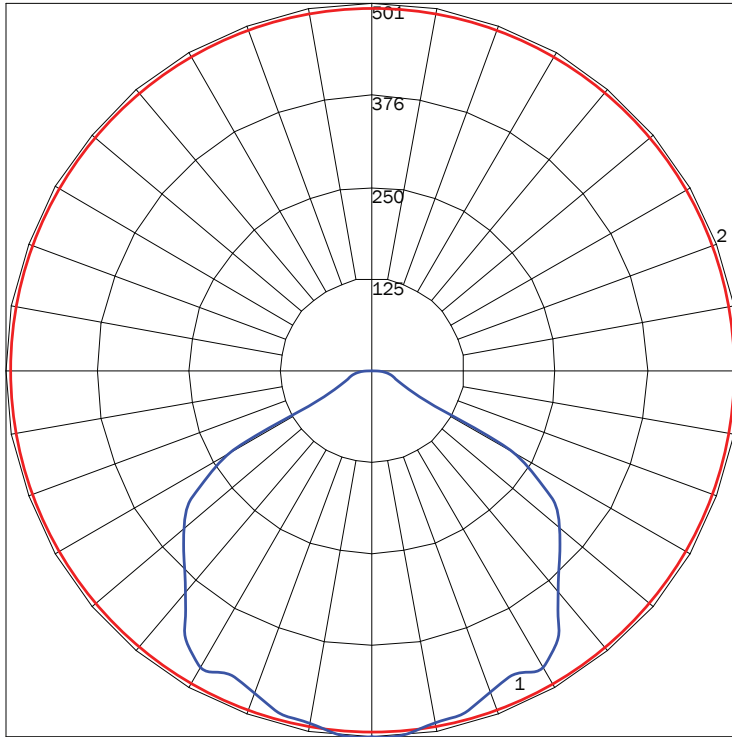
DIRECT

PN	ILLUMINATION	LUMENS	WATTAGE
2W	15LED	1351	15
	19LED	1803	19
	150IN	2158	150

IES INDOOR REPORT

PHOTOMETRIC FILENAME : 2W 15LED 35K WM F05.IES

POLAR GRAPH



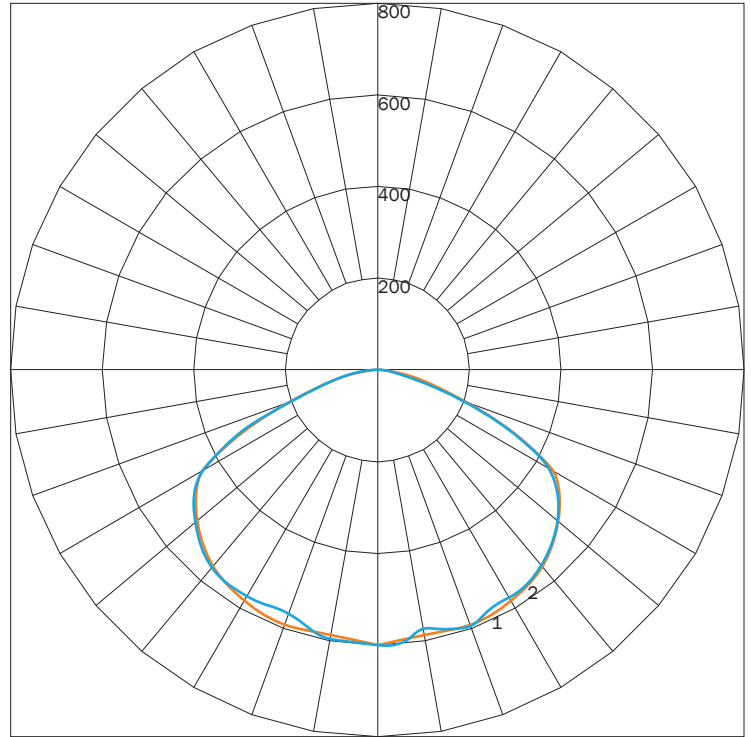
MAXIMUM CANDELA = 500.83 LOCATED AT HORIZONTAL ANGLE = 22.5, VERTICAL ANGLE = 5
 # 1 - VERTICAL PLANE THROUGH HORIZONTAL ANGLES (22.5 - 202.5) (THROUGH MAX. CD.)
 # 2 - HORIZONTAL CONE THROUGH VERTICAL ANGLE (90) (THROUGH MAX. CD.)

LUMINAIRE LUMENS 1351
TOTAL LUMINAIRE EFFICIENCY 95%
LUMINAIRE EFFICACY RATING 90
TOTAL LUMINAIRE WATTS 15

IES INDOOR REPORT

PHOTOMETRIC FILENAME : 2W 150IN.IES

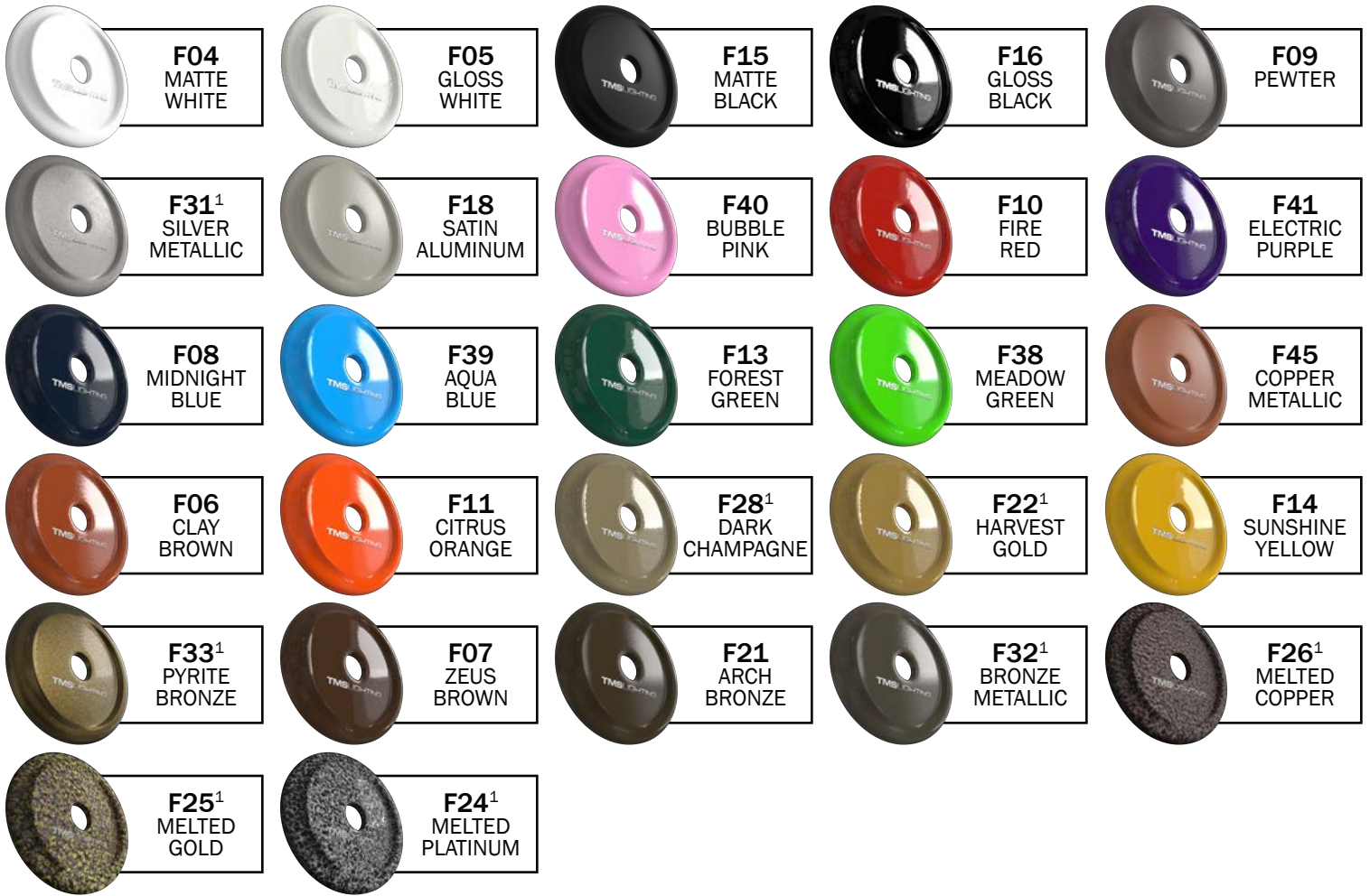
POLAR GRAPH



MAXIMUM CANDELA = 604.377 LOCATED AT HORIZONTAL ANGLE = 0, VERTICAL ANGLE = 5
 # 1 - VERTICAL PLANE THROUGH HORIZONTAL ANGLES (90 - 270)
 # 2 - VERTICAL PLANE THROUGH HORIZONTAL ANGLES (0 - 180)

LUMINAIRE LUMENS 2158
TOTAL LUMINAIRE EFFICIENCY 81%
LUMINAIRE EFFICACY RATING 14
TOTAL LUMINAIRE WATTS 150

FINISHES



PREMIUM FINISHES



PREMIUM MATERIALS



1: FINISHES IS APPLIED TO THE INTERIOR AND EXTERIOR OF THE FIXTURE.
 2: MATERIALS ARE CONSISTENT (INTERIOR & EXTERIOR). STEMS AND CANOPIES WILL BE F16 GLOSS BLACK.
 NOTE: ALL FINISHES NOT MARKED WITH NOTATION (1) ARE APPLIED TO THE EXTERIOR ONLY. THE INTERIOR WILL BE F05 GLOSS WHITE.
 MATTE FINISHES AVAILABLE. CONSULT FACTORY.
 FINISHES ARE SUBJECT TO AVAILABILITY AND MAY NOT BE APPLICABLE TO ALL FIXTURES OR FOR QUICKSHIP.
 DISPLAYED FINISHES DIFFER BETWEEN SCREENS AS WELL AS PRINTERS AND MAY NOT ACCURATELY DEPICT COLOR.