

CALVIN™ PENDANT

PROJECT: _____

TYPE: _____

QUANTITY: _____



PN: CAL

APPLICATION	<ul style="list-style-type: none">• PENDANT MOUNT• INDOOR OR OUTDOOR RATED
DIMENSION	<ul style="list-style-type: none">• 12", 14", 16", 18", 20", 22" AND 24" SIZES AVAILABLE (31CM, 36CM, 40CM, 46CM, 51CM, 56CM, 61CM)
ILLUMINATION	<ul style="list-style-type: none">• DIRECT• LED 90CRI• 1,122 - 2,827 LUMENS
DRIVER	<ul style="list-style-type: none">• 120V, 277V, AND 347V• 10KA SURGE SUPPRESSION STANDARD
DIFFUSERS	<ul style="list-style-type: none">• CLEAR OR FROSTED, GLASS GLOBE
MOUNTING	<ul style="list-style-type: none">• 120" (305CM) BLACK OR WHITE DROP CORD W/ AIRCRAFT CABLE• 1" TO 60" (2.5CM TO 152CM) STEM MOUNT
CONSTRUCTION	<ul style="list-style-type: none">• ALUMINUM
FINISHES	<ul style="list-style-type: none">• AVAILABLE IN SEVERAL TMS SPECIALTY, AND POWDER COATED FINISHES• CUSTOM RAL FINISHES AVAILABLE
DIMMING	<ul style="list-style-type: none">• 0 - 10V STANDARD DIMMING
WEIGHT	<ul style="list-style-type: none">• 29 LBS MAXIMUM





CALVIN™ PENDANT

PROJECT: _____

TYPE: _____

QUANTITY: _____

CAL

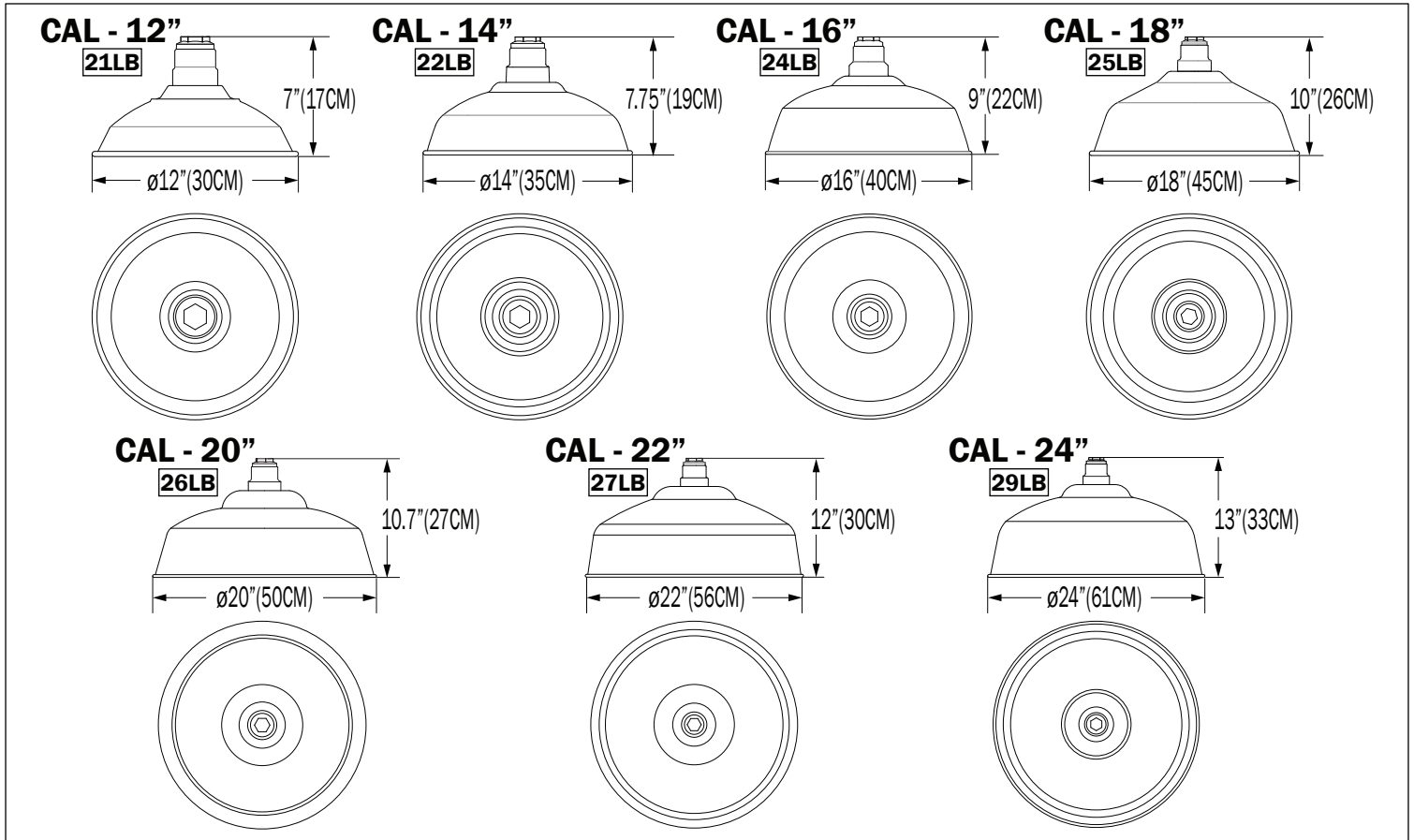
1 2 3 4 5 6 7 8 9 10 11 12 13 14

1.	I				O				
APPLICATION	INDOOR				OUTDOOR				
2.	12¹	14²	16²	18	20	22	24		
DIAMETER	12"DIA. (31CM)	14"DIA. (36CM)	16"DIA. (41CM)	18"DIA. (46CM)	20"DIA. (51CM)	22"DIA. (56CM)	24"DIA. (61CM)		
3.	100IN		17LED		15LED		19LED		32LED
ILLUMINATION	MED BASE (MAX 100W INC)		17W LED PAR38 E26 MED. BASE, 4000K, 60°		15W LED		19W LED		32W LED
4.	CRD	C01	C06	C12	C18	C24	C36	C48	C60
MOUNTING	120"(305CM) DROP CORD	1"(2.5CM) STEM MOUNT	6"(15CM) STEM MOUNT	12"(31CM) STEM MOUNT	18"(46CM) STEM MOUNT	24"(61CM) STEM MOUNT	36"(91CM) STEM MOUNT	48"(122CM) STEM MOUNT	60"(152CM) STEM MOUNT
5.	---			BC			WC		
CORD	NONE			BLACK DROP CORD			WHITE DROP CORD		
6.	---		30K		35K		40K		
LED CCT	NONE		3000		3500		4000		
7.	120			277			347		
VOLTAGE	120V			277V			347V		
8.	---			CD			RM		
DRIVER	NONE			CANOPY MOUNT			REMOTE MOUNT		
9.	ADDITIONAL AND PREMIUM FINISHES AVAILABLE. SEE FINISHES CHART		F04	F05	F15	F16	F09	F31	F18
FINISH ³			MATTE WHITE	GLOSS WHITE	MATTE BLACK	GLOSS BLACK	PEWTER	SILVER METALLIC	SATIN ALUMINUM
10.	---		G1		G2		G9		G11
GLOBE/ LENS ⁴	NONE		CLEAR, ELONGATED GLOBE		FROSTED GLOBE		CLEAR, ELONGATED, LARGE GLOBE		CLEAR, ELONGATED GLOBE WITH CAST GUARD
11.	---				DIML				
DIMMING	NONE				0 - 10V DIMMING				
12.	---		EM		EMC		EMR		EMCR
EMERGENCY ⁵	NONE		INTEGRAL		INTEGRAL COLD PACK		REMOTE		REMOTE COLD PACK
13.	---			BL			ACC		
MOUNTING ⁶ ACCESSORIES	NONE			CEILING SLOPE ADAPTER FOR STEM MOUNT (30°)			AIRCRAFT CABLE FOR DROP CORDS		
14.	---		W12	W14	W16	W18	W20	W22	W24
WIRE GUARD	NONE		12"(30CM) WIRED GUARD	14"(36CM) WIRED GUARD	16"(40CM) WIRED GUARD	18"(46CM) WIRED GUARD	20"(51CM) WIRED GUARD	22"(56CM) WIRED GUARD	24"(61CM) WIRED GUARD

1. SIZE 12" IS NOT AVAILABLE FOR 19LED AND 32LED 3. A CLEAR COAT IS APPLIED TO COPPER. PATINA WILL FORM OVER TIME 5. 10W AT 90 MINUTES. EMERGENCY IS ONLY AVAILABLE IN 120 - 277V SYSTEMS
2. SIZES 14" AND 16" ARE NOT AVAILABLE FOR 32LED 4. GLOBES AND EMERGENCY ARE NOT AVAILABLE WITH 17W LED PAR 38 LAMPS 6. MAY REQUIRE TO COMPLY WITH LOCAL SEISMIC/EARTHQUAKE CODE

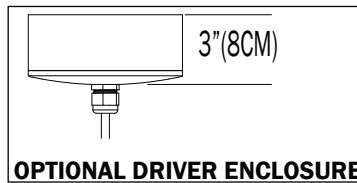
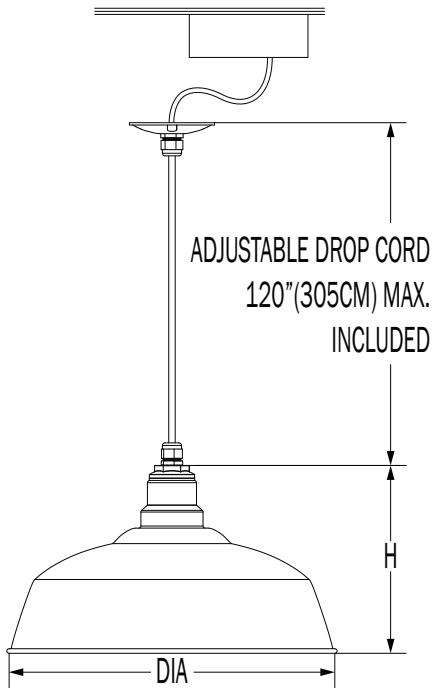
NOTE: SOME OPTIONS MAY NOT BE COMPATIBLE WITH OTHERS. ALL SPECIFICATIONS ARE SUBJECT TO CHANGE WITHOUT NOTICE. CONTACT TMS LIGHTING FOR UPDATED SPECIFICATIONS.

CALVIN™ PENDANT



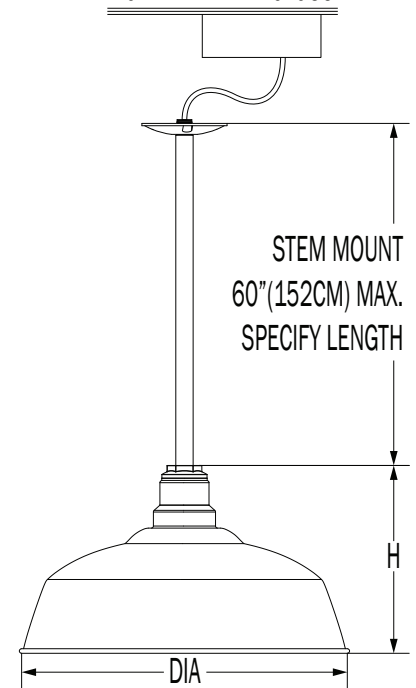
DROP CORD MOUNT

REMOTE DRIVER ENCLOSURE



STEM MOUNT

REMOTE DRIVER ENCLOSURE



CUSTOM

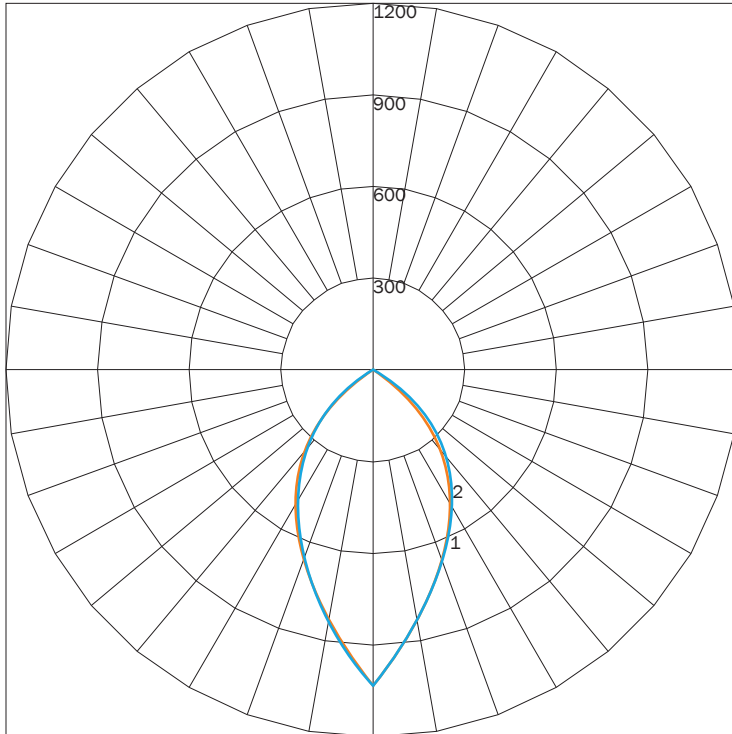
NOTE: THIS FIXTURE CAN BE CUSTOMIZE. DIMENSION, LAMP TYPES, ENCLOSURE, AND COLOR CAN BE MODIFIED TO SUIT YOUR LIGHTING AND ARCHITECTURAL REQUIREMENTS. CONTACT YOUR LOCAL REPRESENTATIVE FOR MORE DETAILS: <https://tmslighting.com/sales-agents.html>

DIRECT

PN	SIZE (DIA)	ILLUMINATION	LUMENS	WATTAGE
CAL	12	100IN	1230	100
		15LED	1122	15
	14	100IN	1237	100
		15LED	1124	15
		19LED	1887	19
	16	100IN	1374	100
		15LED	1124	15
		19LED	1892	19
	18	32LED	2827	32
	20	32LED	2801	32
22	32LED	2743	32	
24	32LED	2741	32	

IES INDOOR REPORT
PHOTOMETRIC FILENAME : CAL 12 15LED F05.IES

POLAR GRAPH

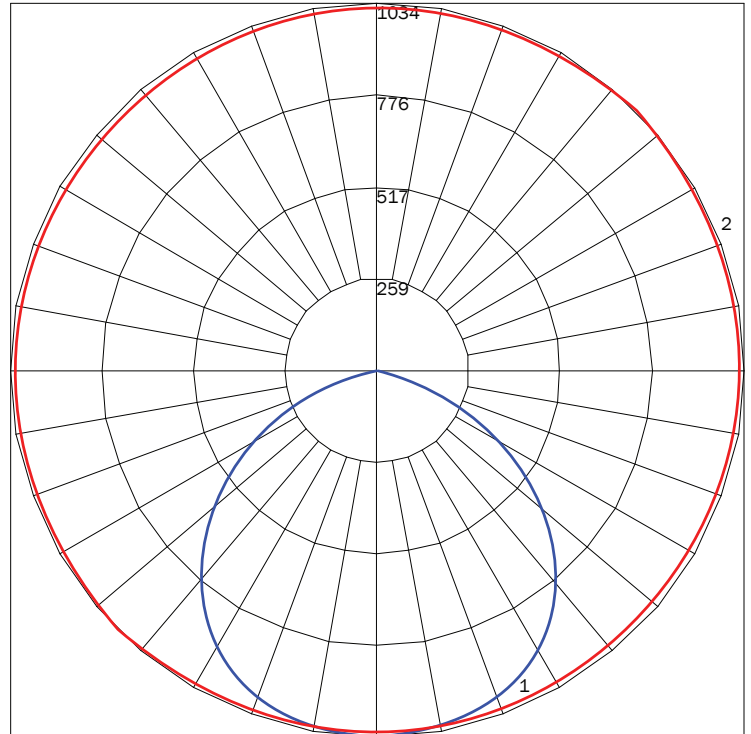


MAXIMUM CANDELA = 1032.22 LOCATED AT HORIZONTAL ANGLE = 0, VERTICAL ANGLE = 0
 # 1 - VERTICAL PLANE THROUGH HORIZONTAL ANGLES (90 - 270)
 # 2 - VERTICAL PLANE THROUGH HORIZONTAL ANGLES (0 - 180)

LUMINAIRE LUMENS	1122
TOTAL LUMINAIRE EFFICIENCY	NA
LUMINAIRE EFFICACY RATING	65
TOTAL LUMINAIRE WATTS	17

IES INDOOR REPORT
PHOTOMETRIC FILENAME : CAL 24 32LED 35K F05.IES

POLAR GRAPH



MAXIMUM CANDELA = 1034.22 LOCATED AT HORIZONTAL ANGLE = 0, VERTICAL ANGLE = 0
 # 1 - VERTICAL PLANE THROUGH HORIZONTAL ANGLES (0 - 189) (THROUGH MAX. CD.)
 # 2 - HORIZONTAL CONE THROUGH VERTICAL ANGLE (0) (THROUGH MAX. CD.)

LUMINAIRE LUMENS	2741
TOTAL LUMINAIRE EFFICIENCY	77%
LUMINAIRE EFFICACY RATING	87
TOTAL LUMINAIRE WATTS	32

FINISHES



PREMIUM FINISHES



PREMIUM MATERIALS



1: FINISHES IS APPLIED TO THE INTERIOR AND EXTERIOR OF THE FIXTURE.

2: MATERIALS ARE CONSISTENT (INTERIOR & EXTERIOR). STEMS AND CANOPIES WILL BE F16 GLOSS BLACK.

NOTE: ALL FINISHES NOT MARKED WITH NOTATION (1) ARE APPLIED TO THE EXTERIOR ONLY. THE INTERIOR WILL BE F05 GLOSS WHITE.

MATTE FINISHES AVAILABLE. CONSULT FACTORY.

FINISHES ARE SUBJECT TO AVAILABILITY AND MAY NOT BE APPLICABLE TO ALL FIXTURES OR FOR QUICKSHIP.

DISPLAYED FINISHES DIFFER BETWEEN SCREENS AS WELL AS PRINTERS AND MAY NOT ACCURATELY DEPICT COLOR.