

PROJECT: _____

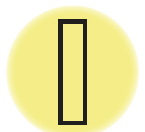
TYPE: _____

QUANTITY: _____



PN: BU001

APPLICATION	<ul style="list-style-type: none"> • WALL MOUNT • INDOOR OR OUTDOOR RATED • ADA COMPLIANT
DIMENSION	<ul style="list-style-type: none"> • 8", 14", 26", 38", & 50" (20CM, 36CM, 66CM, 97CM, 127CM) • DEPTH: 4" (10CM)
ILLUMINATION	<ul style="list-style-type: none"> • DIFFUSE • LED 90CRI • 801 - 7,998 LUMENS
ELECTRICAL	<ul style="list-style-type: none"> • UNI (120 - 277V) • 10kA SURGE SUPPRESSION STANDARD
DIFFUSERS	<ul style="list-style-type: none"> • HIGH EFFICIENCY ACRYLIC
MOUNTING	<ul style="list-style-type: none"> • WALL, MOUNTED TO A 4"(10CM) J-BOX
CONSTRUCTION	<ul style="list-style-type: none"> • ALUMINUM
FINISHES	<ul style="list-style-type: none"> • AVAILABLE IN SEVERAL TMS POWDER COATED FINISHES • CUSTOM RAL FINISHES AVAILABLE
DIMMING	<ul style="list-style-type: none"> • 0 - 10V STANDARD DIMMING



DIFFUSE



PROJECT: _____
 TYPE: _____
 QUANTITY: _____

BU001

1 2 3 4 5 6 7 8

1.	I	O
APPLICATION	INDOOR	OUTDOOR

2.	8	14	26	38	50
HEIGHT	8" (21CM)	14" (36CM)	26" (67CM)	38" (97CM)	50" (127CM)
3.					
ILLUMINATION	11LED	20LED	40LED	60LED	77LED
LED (W)	11W	20W	40W	60W	77W
LUMENS	801	1826	3884	5943	7998

4.	30K	35K	40K
LED CCT	3000	3500	4000

5.	UNI
VOLTAGE	120 - 277V

6.	F04	F05	F09	F15	F16	F18	F24	F25	F26	F31
FINISH	MATTE WHITE	GLOSS WHITE	PEWTER	MATTE BLACK	GLOSS BLACK	SATIN ALUMINUM	MELTED PLATINUM	MELTED GOLD	MELTED COPPER	SILVER METALLIC
	F33	RAL								
	PYRITE BRONZE	CUSTOM (SPECIFY)								

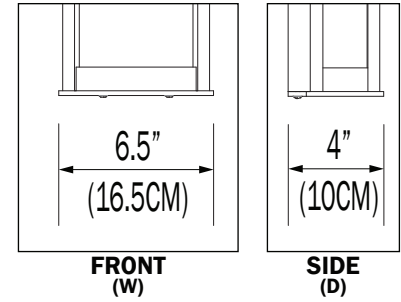
7.	OP
DIFFUSER	OPAL - WHITE ACRYLIC

8.	DIML
DIMMING ¹	LED DIMMING (0 - 10V, CURRENT - SINKING)

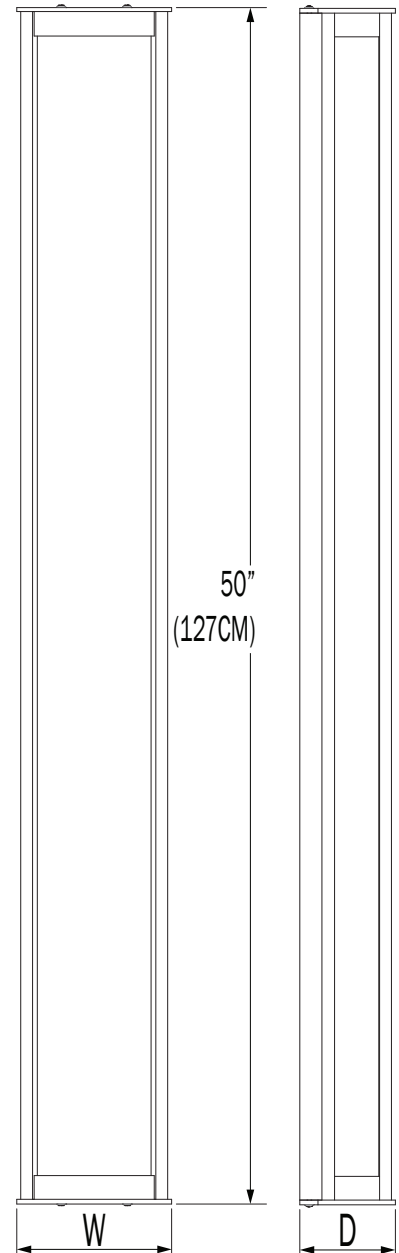
1. USE CURRENT - SINKING DIMMING SYSTEM (BY OTHERS) FOR LED DIMMING. COMPATIBILITY OF THIS PRODUCT IS NOT GUARANTEED WITH ALL CONTROL SYSTEMS

NOTE: SOME OPTIONS MAY NOT BE COMPATIBLE WITH OTHERS. ALL SPECIFICATIONS ARE SUBJECT TO CHANGE WITHOUT NOTICE. CONTACT TMS LIGHTING FOR UPDATED SPECIFICATIONS.

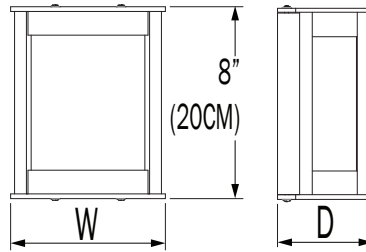
DIMENSIONS



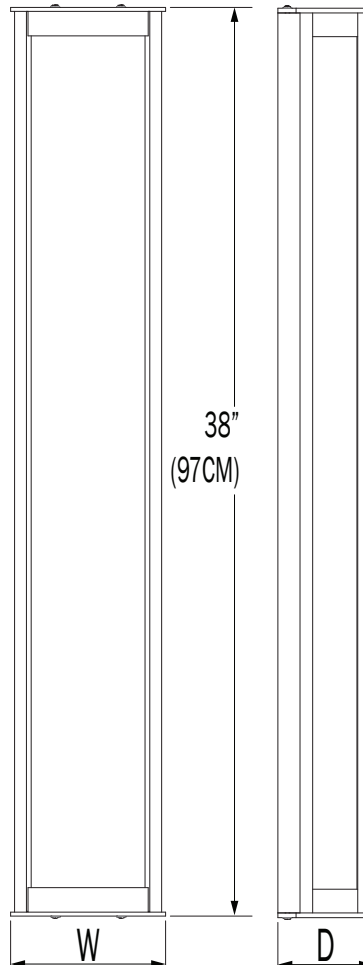
BU001 - 50"



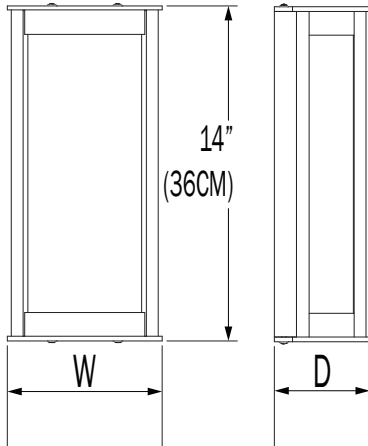
BU001 - 8"



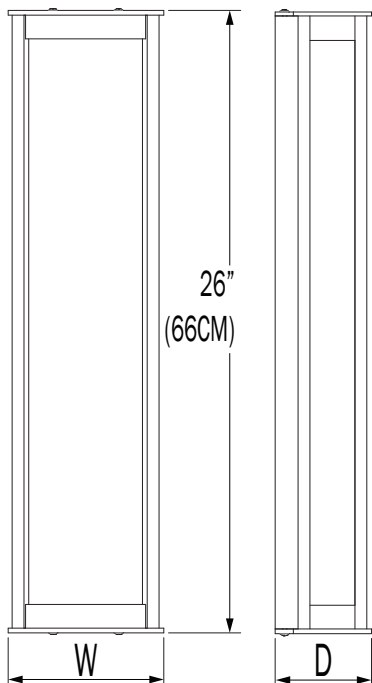
BU001 - 36"



BU001 - 14"



BU001 - 26"



CUSTOM

NOTE: THIS FIXTURE CAN BE CUSTOMIZE. DIMENSION, LAMP TYPES, ENCLOSURE, AND COLOR CAN BE MODIFIED TO SUIT YOUR LIGHTING AND ARCHITECTURAL REQUIREMENTS. CONTACT YOUR LOCAL REPRESENTATIVE FOR MORE DETAILS: <https://tmslighting.com/sales-agents.html>

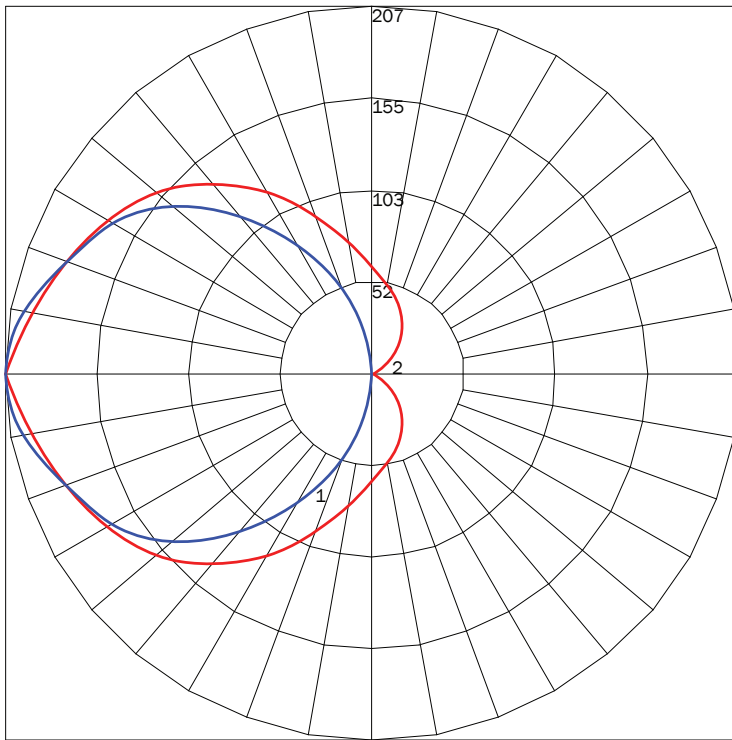
DIFFUSE

PN	SIZES	ILLUMINATION	LUMENS	WATTAGE
BU001	8	11LED	801	11
	14	20LED	1826	20
	26	40LED	3884	40
	38	60LED	5943	60
	50	77LED	7998	77

IES INDOOR REPORT

PHOTOMETRIC FILENAME : BU001 8 11LED 35K.IES

POLAR GRAPH



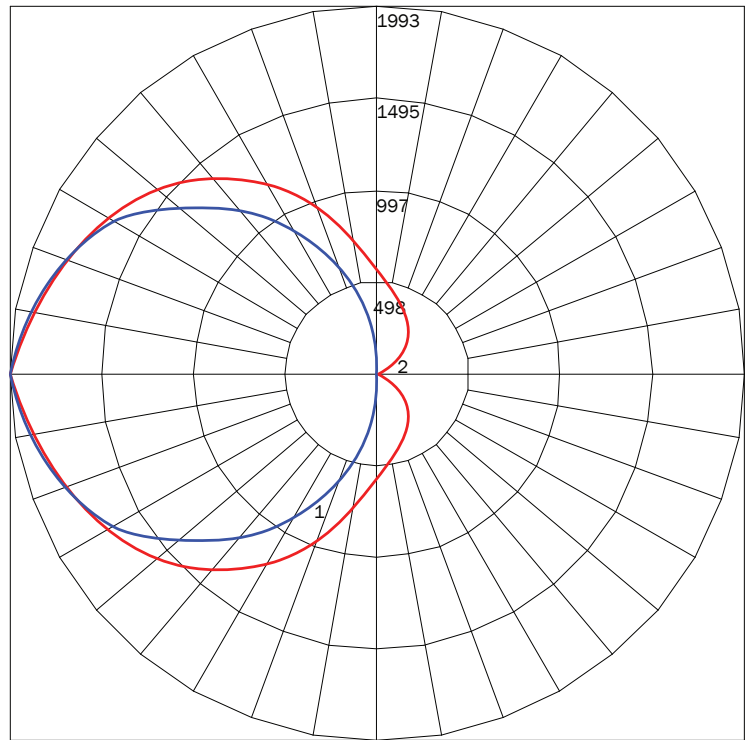
MAXIMUM CANDELA = 206.88 LOCATED AT HORIZONTAL ANGLE = 180, VERTICAL ANGLE = 95
 # 1 - VERTICAL PLANE THROUGH HORIZONTAL ANGLES (180 - 0) (THROUGH MAX. CD.)
 # 2 - HORIZONTAL CONE THROUGH VERTICAL ANGLE (95) (THROUGH MAX. CD.)

LUMINAIRE LUMENS 801
TOTAL LUMINAIRE EFFICIENCY 64%
LUMINAIRE EFFICACY RATING 68
TOTAL LUMINAIRE WATTS 12

IES INDOOR REPORT

PHOTOMETRIC FILENAME : BU001 50 77LED 35K.IES

POLAR GRAPH



MAXIMUM CANDELA = 1993.05 LOCATED AT HORIZONTAL ANGLE = 180, VERTICAL ANGLE = 90
 # 1 - VERTICAL PLANE THROUGH HORIZONTAL ANGLES (180 - 0) (THROUGH MAX. CD.)
 # 2 - HORIZONTAL CONE THROUGH VERTICAL ANGLE (90) (THROUGH MAX. CD.)

LUMINAIRE LUMENS 7998
TOTAL LUMINAIRE EFFICIENCY 79%
LUMINAIRE EFFICACY RATING 103
TOTAL LUMINAIRE WATTS 77

AVAILABLE FINISHES



F04
MATTE
WHITE



F05
GLOSS
WHITE



F09
PEWTER



F15
MATTE
BLACK



F16
GLOSS
BLACK



F18
SATIN
ALUMINUM



F24
MELTED
PLATINUM



F25
MELTED
GOLD



F26
MELTED
COPPER



F31
SILVER
METALLIC



F33
PYRITE
BRONZE



RAL
CUSTOM
COLOR
(RAL #)

NOTE: DISPLAYED FINISHES DIFFER BETWEEN SCREENS AS WELL AS PRINTERS AND MAY NOT ACCURATELY DEPICT COLOR.