

BROOKE™ PENDANT

PROJECT: _____

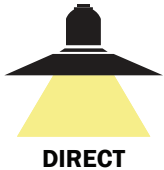
TYPE: _____

QUANTITY: _____



PN: BRO

APPLICATION	<ul style="list-style-type: none">• PENDANT MOUNT• INDOOR OR OUTDOOR RATED
DIMENSION	<ul style="list-style-type: none">• 16", 18" (41CM, 46CM)
ILLUMINATION	<ul style="list-style-type: none">• DIRECT• LED 90CRI• 1,062 - 1,761 LUMENS
ELECTRICAL	<ul style="list-style-type: none">• 120V, 277V AND 347V• 10kA SURGE SUPPRESSION STANDARD
DIFFUSERS	<ul style="list-style-type: none">• CLEAR OR FROSTED, ELONGATED GLASS GLOBE
MOUNTING	<ul style="list-style-type: none">• 120" (305CM) BLACK OR WHITE DROP CORD W/ AIRCRAFT CABLE• 1" TO 60" (2.5CM TO 152CM) STEM MOUNT
CONSTRUCTION	<ul style="list-style-type: none">• ALUMINUM
FINISHES	<ul style="list-style-type: none">• AVAILABLE IN SEVERAL TMS SPECIALTY, AND POWDER COATED FINISHES• CUSTOM RAL FINISHES AVAILABLE
DIMMING	<ul style="list-style-type: none">• 0 - 10V STANDARD DIMMING
WEIGHT	<ul style="list-style-type: none">• 5.5LBS MAXIMUM



BROOKE™ PENDANT



PROJECT: _____
 TYPE: _____
 QUANTITY: _____

BRO

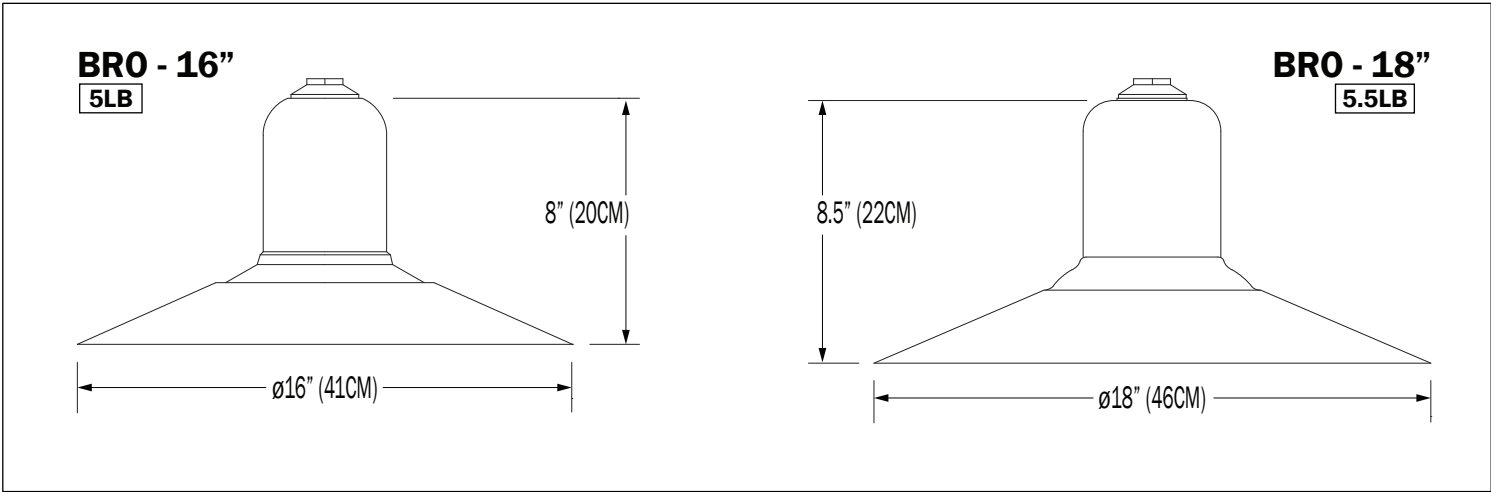
1 2 3 4 5 6 7 8 9 10 11 12

1.	I					O							
APPLICATION	INDOOR					OUTDOOR							
2.	16					18							
DIAMETER	16" DIA (41CM)					18" DIA (46CM)							
3.	100IN			15LED		17LED		19LED					
ILLUMINATION ¹	MED BASE (MAX 100W INC)			15W LED		17W LED PAR38 E26 MED. BASE, 4000K, 60°		19W LED					
4.	CRD	C01	C06	C12	C18	C24	C36	C48	C60				
MOUNTING	120"(305CM) DROP CORD	1"(2.5CM) STEM MOUNT	6"(15CM) STEM MOUNT	12"(31CM) STEM MOUNT	18"(46CM) STEM MOUNT	24"(61CM) STEM MOUNT	36"(91CM) STEM MOUNT	48"(122CM) STEM MOUNT	60"(152CM) STEM MOUNT				
5.	---				BC			WC					
CORD	NONE				BLACK DROP CORD			WHITE DROP CORD					
6.	---			30K		35K		40K					
LED CCT	NONE			3000		3500		4000					
7.	120				277			347					
VOLTAGE	120V				277V			347V					
8.	ADDITIONAL AND PREMIUM FINISHES AVAILABLE. SEE FINISHES CHART			F04	F05	F15	F16	F09	F31	F18			
FINISH ²													
				F06	F07	F08	F10	F11	F13	F14	F21	F22	F24
				CLAY BROWN	ZEUS BROWN	MIDNIGHT BLUE	FIRE RED	CITRUS ORANGE	FOREST GREEN	SUNSHINE YELLOW	ARCH. BRONZE	HARVEST GOLD	MELTED PLATINUM
	F25	F26	F28	F32	F33	F38	F39	F40	F41	F45			
	MELTED GOLD	MELTED COPPER	DARK CAMPAGNE	BRONZE METALLIC	PYRITE BRONZE	MEADOW GREEN	AQUA BLUE	BUBBLE PINK	ELECTRIC PURPLE	COPPER METALLIC			
9.	---			G1		G2		G11					
GLOBE/ LENS	NONE			CLEAR, ELONGATED GLOBE		FROSTED GLOBE		CLEAR. ELONGATED, GLOBE WITH CAST GUARD					
10.	---					DIML							
DIMMING ³	NONE					LED DIMMING (0 - 10V, CURRENT - SINKING)							
11.	---			EM		EMC		EMR		EMCR			
EMERGENCY ⁴	NONE			INTEGRAL		INTEGRAL COLD PACK		REMOTE		REMOTE COLD PACK			
12.	---				BL			ACC					
MOUNTING ⁵ ACCESSORIES	NONE				CEILING SLOPE ADAPTER FOR STEM MOUNT (30°)			AIRCRAFT CABLE FOR DROP CORDS					

1. INCANDESCENT AND METAL HALIDE SYSTEMS USE A MEDIUM BASE SOCKET (E26) 4. 10W AT 90 MINUTES. EMERGENCY OPTION IS ONLY AVAILABLE IN 120 - 277V SYSTEMS. NOT AVAILABLE WITH 17LED PAR 38 LAMP
 2. A CLEAR COAT IS APPLIED TO COPPER. PATINA WILL FORM OVER TIME 5. MAY REQUIRE TO COMPLY WITH LOCAL SEISMIC/EARTHQUAKE CODE
 3. DIMMING SYSTEM IS NOT AVAILABLE FOR OUTDOOR CF APPLICATIONS.

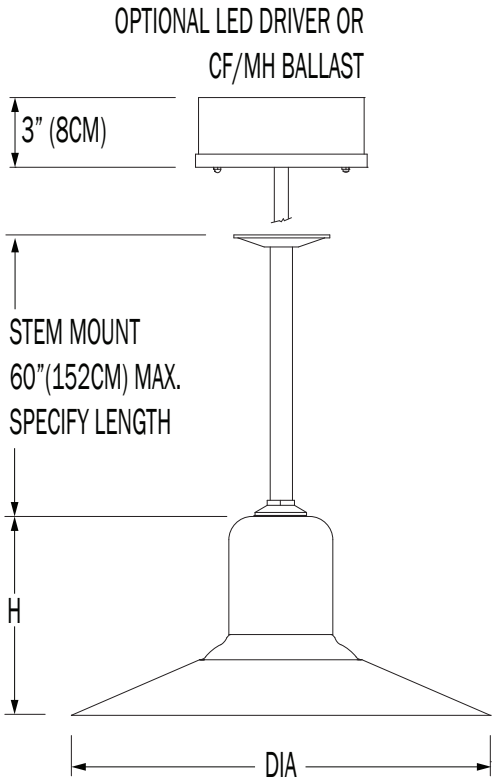
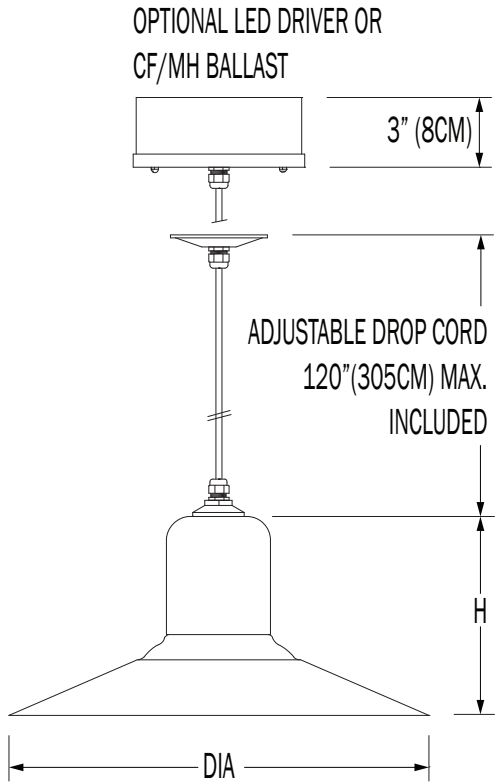
NOTE: SOME OPTIONS MAY NOT BE COMPATIBLE WITH OTHERS. ALL SPECIFICATIONS ARE SUBJECT TO CHANGE WITHOUT NOTICE. CONTACT TMS LIGHTING FOR UPDATED SPECIFICATIONS.

BROOKE™ PENDANT



DROP CORD MOUNT

STEM MOUNT



CUSTOM
 NOTE: THIS FIXTURE CAN BE CUSTOMIZE. DIMENSION, LAMP TYPES, ENCLOSURE, AND COLOR CAN BE MODIFIED TO SUIT YOUR LIGHTING AND ARCHITECTURAL REQUIREMENTS. CONTACT YOUR LOCAL REPRESENTATIVE FOR MORE DETAILS: <https://tmslighting.com/sales-agents.html>

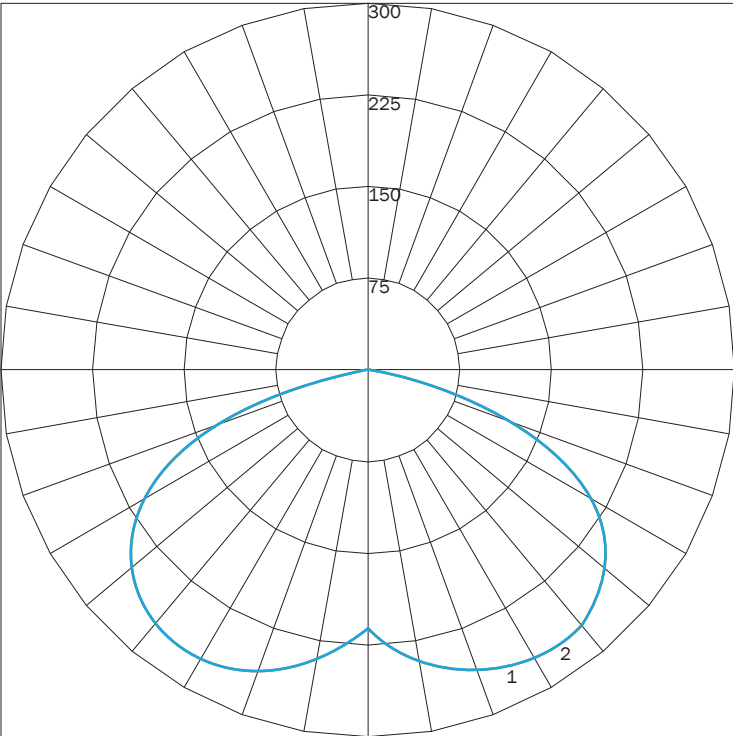
DIRECT

PN	SIZE (DIA)	ILLUMINATION	LUMENS	WATTAGE
BRO	16	100IN	1062	100
		15LED	1109	15
	18	100IN	1071	100
		15LED	1129	15
		19LED	1761	19

IES INDOOR REPORT
PHOTOMETRIC FILENAME : BRO16 100IN.IES

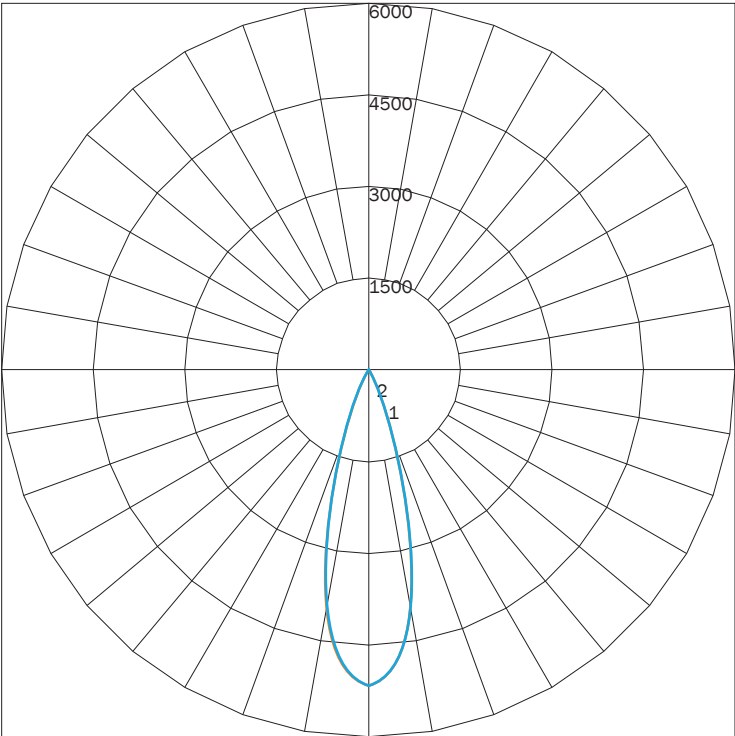
IES INDOOR REPORT
PHOTOMETRIC FILENAME : BRO18 19LED.IES

POLAR GRAPH



MAXIMUM CANDELA = 274.691 LOCATED AT HORIZONTAL ANGLE = 0, VERTICAL ANGLE = 35
 # 1 - VERTICAL PLANE THROUGH HORIZONTAL ANGLES (90 - 270)
 # 2 - VERTICAL PLANE THROUGH HORIZONTAL ANGLES (0 - 180)

POLAR GRAPH



MAXIMUM CANDELA = 5168.98 LOCATED AT HORIZONTAL ANGLE = 0, VERTICAL ANGLE = 0
 # 1 - VERTICAL PLANE THROUGH HORIZONTAL ANGLES (90 - 270)
 # 2 - VERTICAL PLANE THROUGH HORIZONTAL ANGLES (0 - 180)

LUMINAIRE LUMENS 1062
TOTAL LUMINAIRE EFFICIENCY 62%
LUMINAIRE EFFICACY RATING 11
TOTAL LUMINAIRE WATTS 100

LUMINAIRE LUMENS 1761
TOTAL LUMINAIRE EFFICIENCY NA
LUMINAIRE EFFICACY RATING 82
TOTAL LUMINAIRE WATTS 22

FINISHES



PREMIUM FINISHES



PREMIUM MATERIALS



1: FINISHES IS APPLIED TO THE INTERIOR AND EXTERIOR OF THE FIXTURE.

2: MATERIALS ARE CONSISTENT (INTERIOR & EXTERIOR). STEMS AND CANOPIES WILL BE F16 GLOSS BLACK.

NOTE: ALL FINISHES NOT MARKED WITH NOTATION (1) ARE APPLIED TO THE EXTERIOR ONLY. THE INTERIOR WILL BE F05 GLOSS WHITE.

MATTE FINISHES AVAILABLE. CONSULT FACTORY.

FINISHES ARE SUBJECT TO AVAILABILITY AND MAY NOT BE APPLICABLE TO ALL FIXTURES OR FOR QUICKSHIP.

DISPLAYED FINISHES DIFFER BETWEEN SCREENS AS WELL AS PRINTERS AND MAY NOT ACCURATELY DEPICT COLOR.