

BELLINI™ PENDANT

PROJECT: _____

TYPE: _____

QUANTITY: _____



PN: BEL

APPLICATION	<ul style="list-style-type: none">• PENDANT MOUNT• INDOOR RATED
DIMENSION	<ul style="list-style-type: none">• 10" DIA X 13" H (25CM X 33CM)
ILLUMINATION	<ul style="list-style-type: none">• DIRECT• LED 90CRI• 1043 - 1,832 LUMENS
ELECTRICAL	<ul style="list-style-type: none">• 120 - 277V (347V CONSULT FACTORY)• 10kA SURGE SUPPRESSION STANDARD
DIFFUSERS	<ul style="list-style-type: none">• HIGH EFFICIENCY ACRYLIC
MOUNTING	<ul style="list-style-type: none">• 120" (305CM) BLACK OR WHITE DROP CORD W/ AIRCRAFT CABLE• 1" TO 60" (2.5CM TO 152CM) STEM MOUNT
CONSTRUCTION	<ul style="list-style-type: none">• ALUMINUM, SOLID COPPER OR STEEL
FINISHES	<ul style="list-style-type: none">• AVAILABLE IN SEVERAL TMS SPECIALTY, PLATED, AND POWDER COATED FINISHES• CUSTOM RAL FINISHES AVAILABLE
DIMMING	<ul style="list-style-type: none">• 0 - 10V STANDARD DIMMING
WEIGHT	<ul style="list-style-type: none">• 3.75 LBS MAXIMUM



BELLINI™ PENDANT



PROJECT: _____

TYPE: _____

QUANTITY: _____

BEL - - - - - 1 - - - - - 2 - - - - - 3 - - - - - 4 - - - - - 5 - - - - - 6 - - - - - 7 - - - - - 8 - - - - - 9

1.	ILLUMINATION	
	15LED	19LED
LED (W)	15W	19W
LUMENS	1043	1832

2.	CRD	C01	C06	C12	C18	C24	C36	C48	C60
MOUNTING	120"(305CM) DROP CORD	1"(2.5CM) STEM MOUNT	6"(15CM) STEM MOUNT	12"(31CM) STEM MOUNT	18"(46CM) STEM MOUNT	24"(61CM) STEM MOUNT	36"(91CM) STEM MOUNT	48"(122CM) STEM MOUNT	60"(152CM) STEM MOUNT

3.	---	BC	WC
CORD	NONE	BLACK DROP CORD	WHITE DROP CORD

4.	30K	35K	40K
LED CCT	3000K	3500K	4000K

5.	120	277
VOLTAGE	120V	277V

6.	F04	F05	F15	F16	F09	F31	F18	F06	F07	F08
FINISH ¹	MATTE WHITE	GLOSS WHITE	MATTE BLACK	GLOSS BLACK	PEWTER	SILVER METALLIC	SATIN ALUMINUM	CLAY BROWN	ZEUS BROWN	MIDNIGHT BLUE
	F10	F11	F13	F14	F21	F22	F24	F25	F26	F28
	FIRE RED	CITRUS ORANGE	FOREST GREEN	SUNSHINE YELLOW	ARCH. BRONZE	HARVEST GOLD	MELTED PLATINUM	MELTED GOLD	MELTED COPPER	DARK CAMPAGNE
	F32	F33	F38	F39	F40	F41	F42	F43	F44	F45
	BRONZE METALLIC	PYRITE BRONZE	MEADOW GREEN	AQUA BLUE	BUBBLE PINK	ELECTRIC PURPLE	FAUX CHROME	FAUX GOLD	FAUX COPPER	COPPER METALLIC
	RAL	AN	BR	CO	SS					
CUSTOM (SPECIFY RAL)	ANODIZED	BRUSHED ALUMINUM	SOLID COPPER	STAINLESS STEEL						

7.	---	DIML
DIMMING	NONE	LED DIMMING (0 - 10V, CURRENT - SINKING)

8.	---	EMR
EMERGENCY ²	NONE	REMOTE

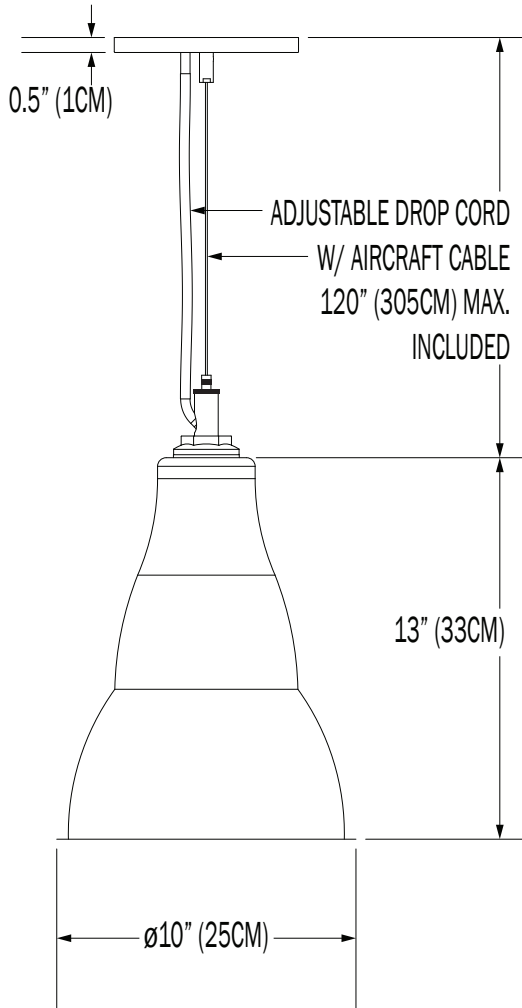
9.	---	ACC	BL
MOUNTING ³ ACCESSORIES	NONE	AIRCRAFT CABLE FOR DROP CORDS	CEILING SLOPE ADAPTER FOR CONDUIT MOUNT

1. A CLEAR COAT IS APPLIED TO COPPER. PATINA WILL FORM OVER TIME
 2. 10W AT 90 MINUTES
 3. MAY REQUIRE TO COMPLY WITH LOCAL SEISMIC/EARTHQUAKE CODE

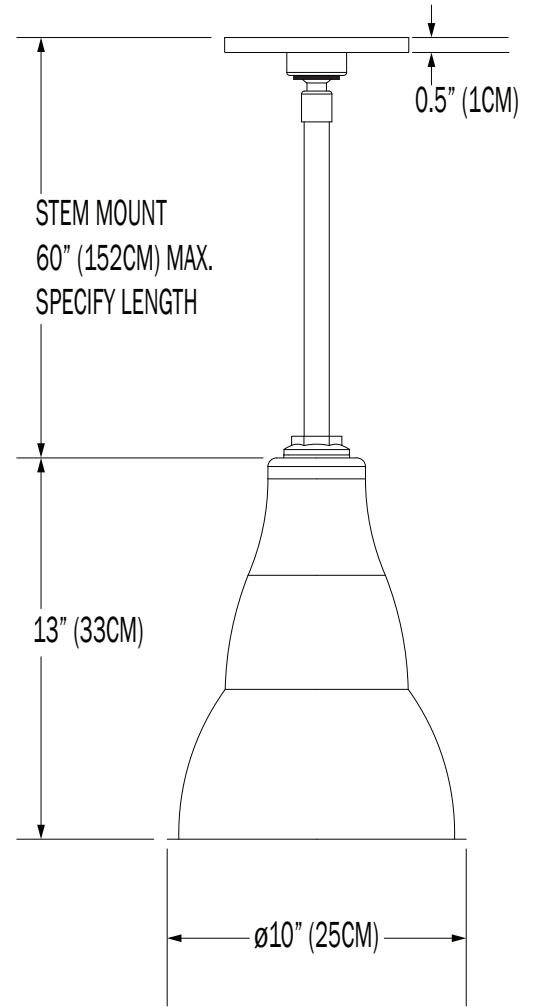
NOTE: SOME OPTIONS MAY NOT BE COMPATIBLE WITH OTHERS. ALL SPECIFICATIONS ARE SUBJECT TO CHANGE WITHOUT NOTICE. CONTACT TMS LIGHTING FOR UPDATED SPECIFICATIONS.

BEL

DROP CORD MOUNT W/ AIRCRAFT CABLE



STEM MOUNT



PROFILE VIEW

CUSTOM

NOTE: THIS FIXTURE CAN BE CUSTOMIZE. DIMENSION, LAMP TYPES, ENCLOSURE, AND COLOR CAN BE MODIFIED TO SUIT YOUR LIGHTING AND ARCHITECTURAL REQUIREMENTS. CONTACT YOUR LOCAL REPRESENTATIVE FOR MORE DETAILS: <https://tmslighting.com/sales-agents.html>

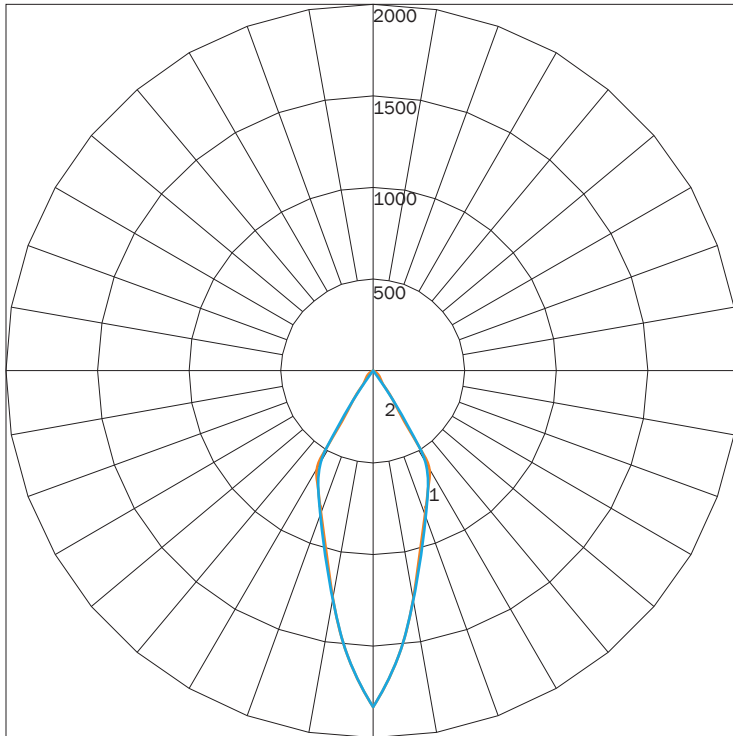
DIRECT

PN	ILLUMINATION	LUMENS	WATTAGE
BEL	15LED	1043	15
	19LED	1832	19

IES INDOOR REPORT

PHOTOMETRIC FILENAME : BEL 15LED F05.IES

POLAR GRAPH



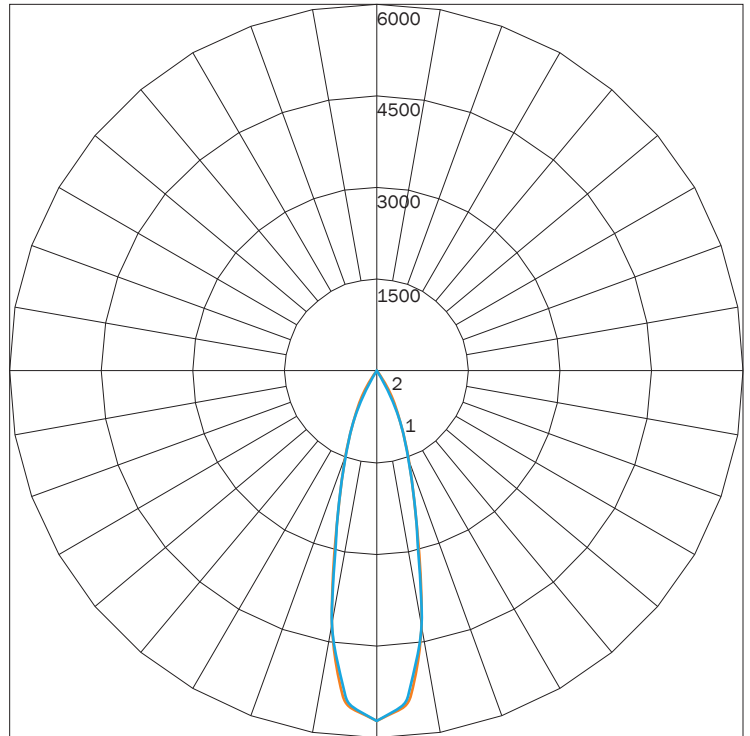
MAXIMUM CANDELA = 1833.69 LOCATED AT HORIZONTAL ANGLE = 0, VERTICAL ANGLE = 0
 # 1 - VERTICAL PLANE THROUGH HORIZONTAL ANGLES (90 - 270)
 # 2 - VERTICAL PLANE THROUGH HORIZONTAL ANGLES (0 - 180)

LUMINAIRE LUMENS 1043
TOTAL LUMINAIRE EFFICIENCY NA
LUMINAIRE EFFICACY RATING 60
TOTAL LUMINAIRE WATTS 17

IES INDOOR REPORT

PHOTOMETRIC FILENAME : BEL 19LED F05.IES

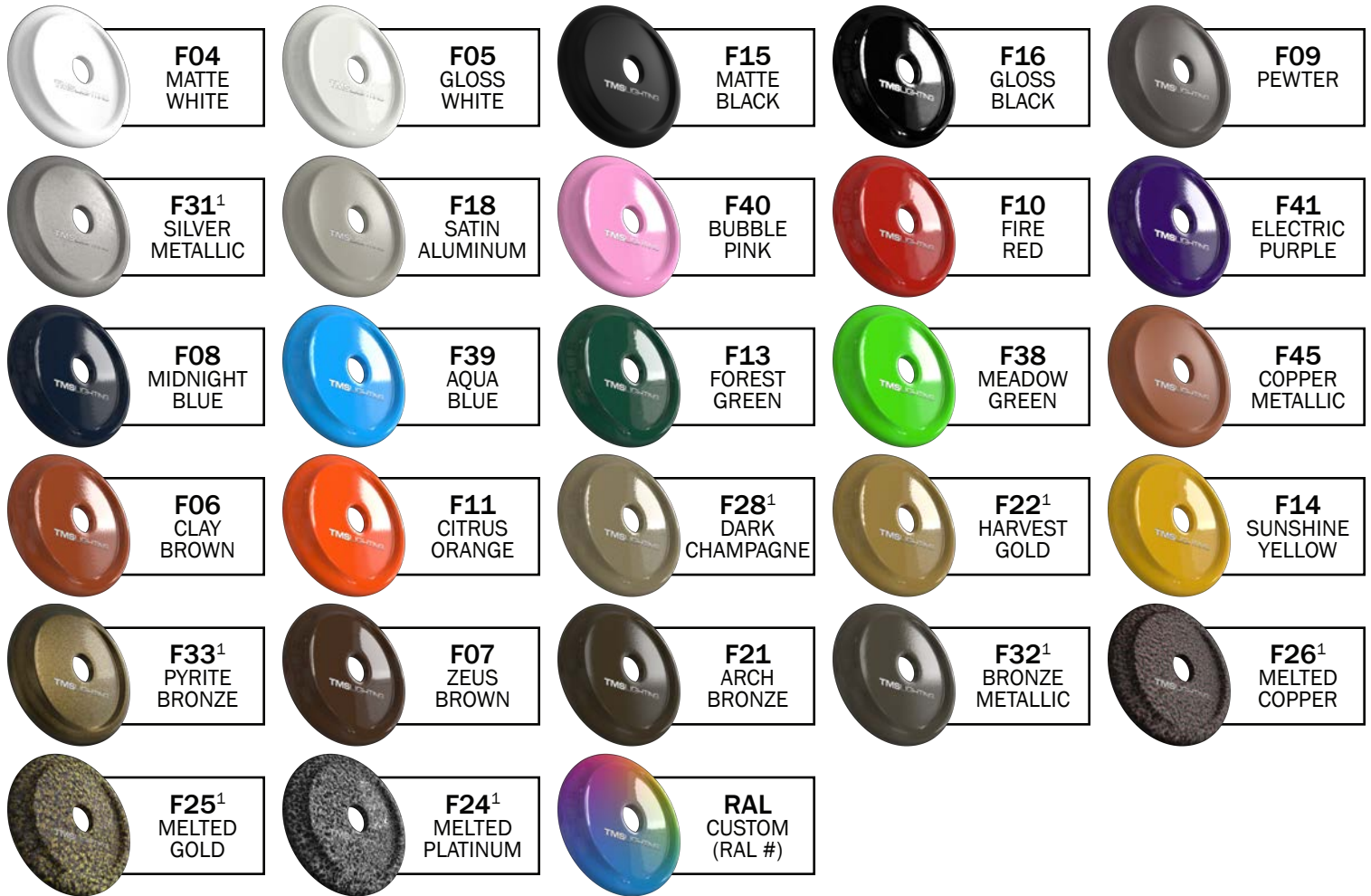
POLAR GRAPH



MAXIMUM CANDELA = 5722.41 LOCATED AT HORIZONTAL ANGLE = 0, VERTICAL ANGLE = 0
 # 1 - VERTICAL PLANE THROUGH HORIZONTAL ANGLES (90 - 270)
 # 2 - VERTICAL PLANE THROUGH HORIZONTAL ANGLES (0 - 180)

LUMINAIRE LUMENS 1832
TOTAL LUMINAIRE EFFICIENCY NA
LUMINAIRE EFFICACY RATING 84
TOTAL LUMINAIRE WATTS 22

FINISHES



PREMIUM FINISHES



PREMIUM MATERIALS



1: FINISHES IS APPLIED TO THE INTERIOR AND EXTERIOR OF THE FIXTURE.
 2: MATERIALS ARE CONSISTENT (INTERIOR & EXTERIOR). STEMS AND CANOPIES WILL BE F16 GLOSS BLACK.
 NOTE: ALL FINISHES NOT MARKED WITH NOTATION (1) ARE APPLIED TO THE EXTERIOR ONLY. THE INTERIOR WILL BE F05 GLOSS WHITE.
 MATTE FINISHES AVAILABLE. CONSULT FACTORY.
 FINISHES ARE SUBJECT TO AVAILABILITY AND MAY NOT BE APPLICABLE TO ALL FIXTURES OR FOR QUICKSHIP.
 DISPLAYED FINISHES DIFFER BETWEEN SCREENS AS WELL AS PRINTERS AND MAY NOT ACCURATELY DEPICT COLOR.