

# BELLA™ PENDANT

PROJECT: \_\_\_\_\_

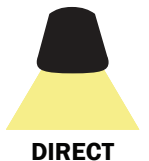
TYPE: \_\_\_\_\_

QUANTITY: \_\_\_\_\_



## PN: 333BE

<b>APPLICATION</b>	<ul style="list-style-type: none"><li>• PENDANT MOUNT</li><li>• INDOOR RATED</li></ul>
<b>DIMENSION</b>	<ul style="list-style-type: none"><li>• 10", 16", 18" (25CM, 41CM, 46CM)</li></ul>
<b>ILLUMINATION</b>	<ul style="list-style-type: none"><li>• DIRECT</li><li>• LED 90CRI</li><li>• 1,111 - 1,561 LUMENS</li></ul>
<b>ELECTRICAL</b>	<ul style="list-style-type: none"><li>• 120 - 277V (347V CONSULT FACTORY)</li><li>• 10KA SURGE SUPPRESSION STANDARD</li></ul>
<b>DIFFUSERS</b>	<ul style="list-style-type: none"><li>• HIGH EFFICIENCY ACRYLIC</li></ul>
<b>MOUNTING</b>	<ul style="list-style-type: none"><li>• 96"(244CM) BLACK OR WHITE DROP CORD W/ AIRCRAFT CABLE</li></ul>
<b>CONSTRUCTION</b>	<ul style="list-style-type: none"><li>• ALUMINUM</li></ul>
<b>FINISHES</b>	<ul style="list-style-type: none"><li>• AVAILABLE IN SEVERAL TMS POWDER COATED FINISHES</li><li>• CUSTOM RAL FINISHES AVAILABLE</li></ul>
<b>DIMMING</b>	<ul style="list-style-type: none"><li>• 0 - 10V STANDARD DIMMING (1%)</li><li>• LUTRON (1%) DIMMING OPTIONAL</li></ul>
<b>WEIGHT</b>	<ul style="list-style-type: none"><li>• 6.5 LBS MAXIMUM</li></ul>





# BELLA™ PENDANT

PROJECT: \_\_\_\_\_

TYPE: \_\_\_\_\_

QUANTITY: \_\_\_\_\_

## 333BE

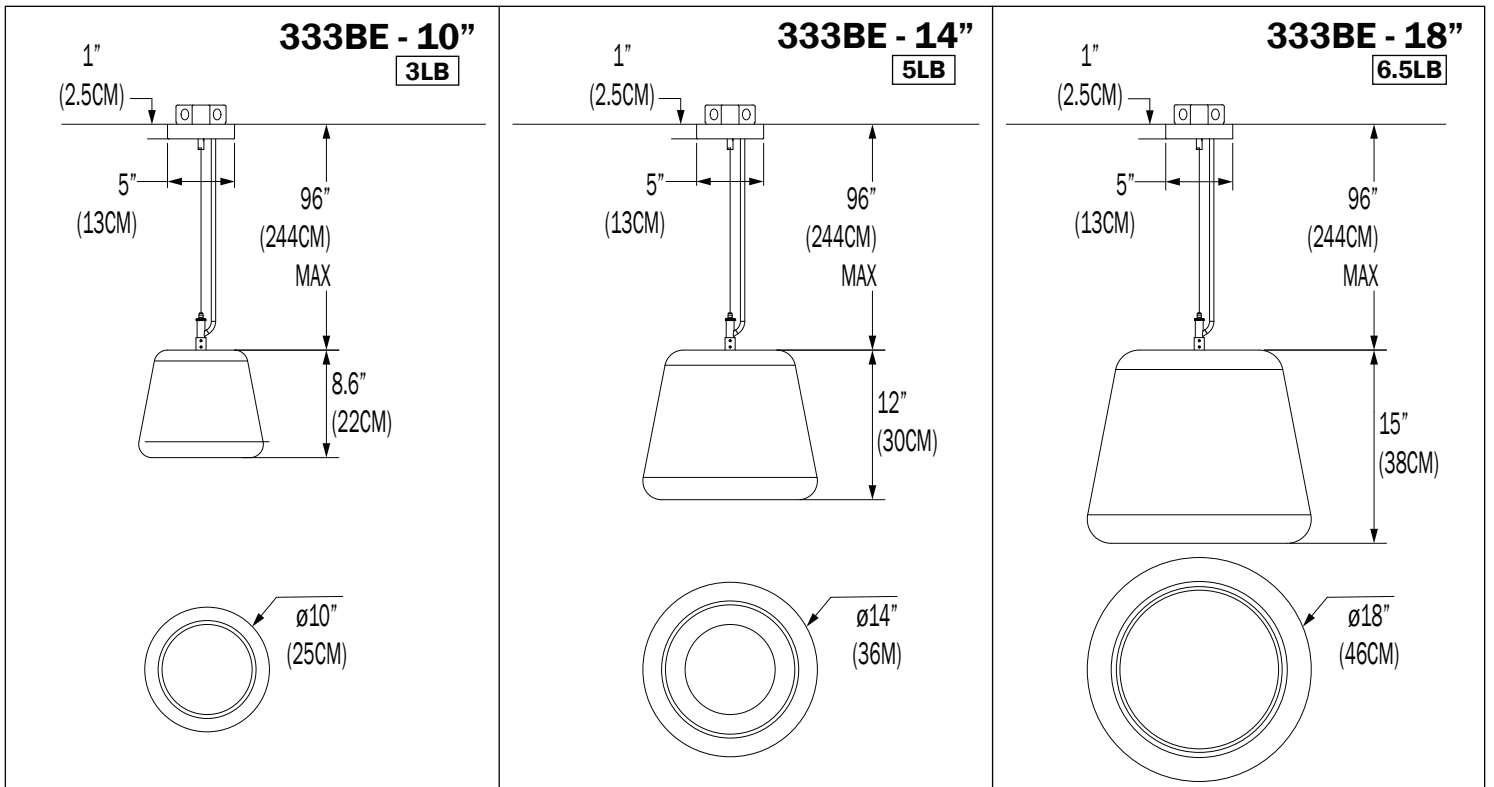
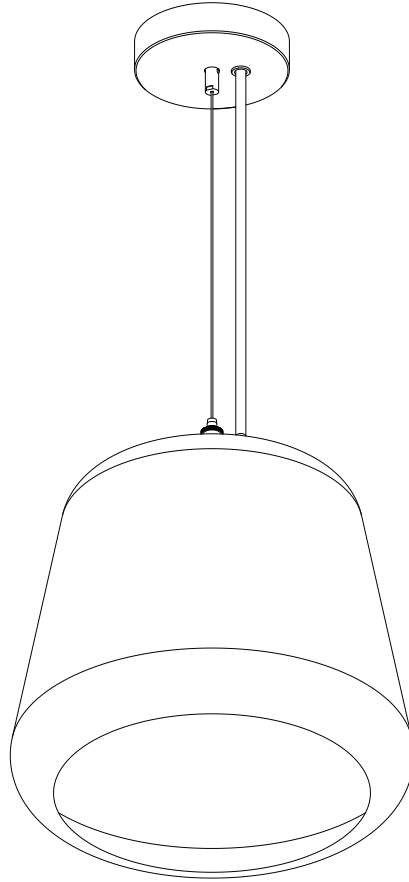
1 2 3 4 5 6 7 8

<b>1.</b>	<b>10</b>			<b>14</b>			<b>18</b>					
DIAMETER	10"DIA. (25CM)			14"DIA. (36CM)			18"DIA. (46CM)					
<b>2.</b>												
ILLUMINATION	<b>20LED</b>	<b>100IN</b>	<b>20LED</b>	<b>100IN</b>	<b>20LED</b>	<b>30LED</b>	<b>100IN</b>					
LED (W)	20W	100	20W	100	20W	30W	100					
LUMENS	1111	1492	1198	1546	1206	1572	1561					
<b>3.</b>	---			<b>30K</b>			<b>35K</b>			<b>40K</b>		
LED CCT	NONE			3000			3500			4000		
<b>4.</b>	<b>UNI</b>			<b>120</b>			<b>277</b>					
VOLTAGE	120 - 277V			120V			277V					
<b>5.</b>	<b>BC</b>						<b>WC</b>					
CORD	BLACK DROP CORD						WHITE DROP CORD					
<b>6.</b>	<b>F04</b>	<b>F05</b>	<b>F15</b>	<b>F16</b>	<b>F09</b>	<b>F31</b>	<b>F18</b>	<b>F06</b>	<b>F07</b>	<b>F08</b>		
FINISH	MATTE WHITE	GLOSS WHITE	MATTE BLACK	GLOSS BLACK	PEWTER	SILVER METALLIC	SATIN ALUMINUM	CLAY BROWN	ZEUS BROWN	MIDNIGHT BLUE		
	<b>F10</b>	<b>F11</b>	<b>F13</b>	<b>F14</b>	<b>F21</b>	<b>F22</b>	<b>F24</b>	<b>F25</b>	<b>F26</b>	<b>F28</b>		
	FIRE RED	CITRUS ORANGE	FOREST GREEN	SUNSHINE YELLOW	ARCH. BRONZE	HARVEST GOLD	MELTED PLATINUM	MELTED GOLD	MELTED COPPER	DARK CAMPAGNE		
	<b>F32</b>	<b>F33</b>	<b>F38</b>	<b>F39</b>	<b>F40</b>	<b>F41</b>	<b>F42</b>	<b>F43</b>	<b>F44</b>	<b>F45</b>		
	BRONZE METALLIC	PYRITE BRONZE	MEADOW GREEN	AQUA BLUE	BUBBLE PINK	ELECTRIC PURPLE	FAUX CHROME	FAUX GOLD	FAUX COPPER	COPPER METALLIC		
<b>7.</b>	---			<b>DIML</b>			<b>DIME</b>					
DIMMING	NONE			0 - 10V DIMMING (1%)			LUTRON HI - LUME					
<b>8.</b>	---			<b>EMR</b>								
EMERGENCY <sup>1</sup>	NONE			REMOTE								

1. 10W AT 90 MINUTES

NOTE: SOME OPTIONS MAY NOT BE COMPATIBLE WITH OTHERS. ALL SPECIFICATIONS ARE SUBJECT TO CHANGE WITHOUT NOTICE. CONTACT TMS LIGHTING FOR UPDATED SPECIFICATIONS.

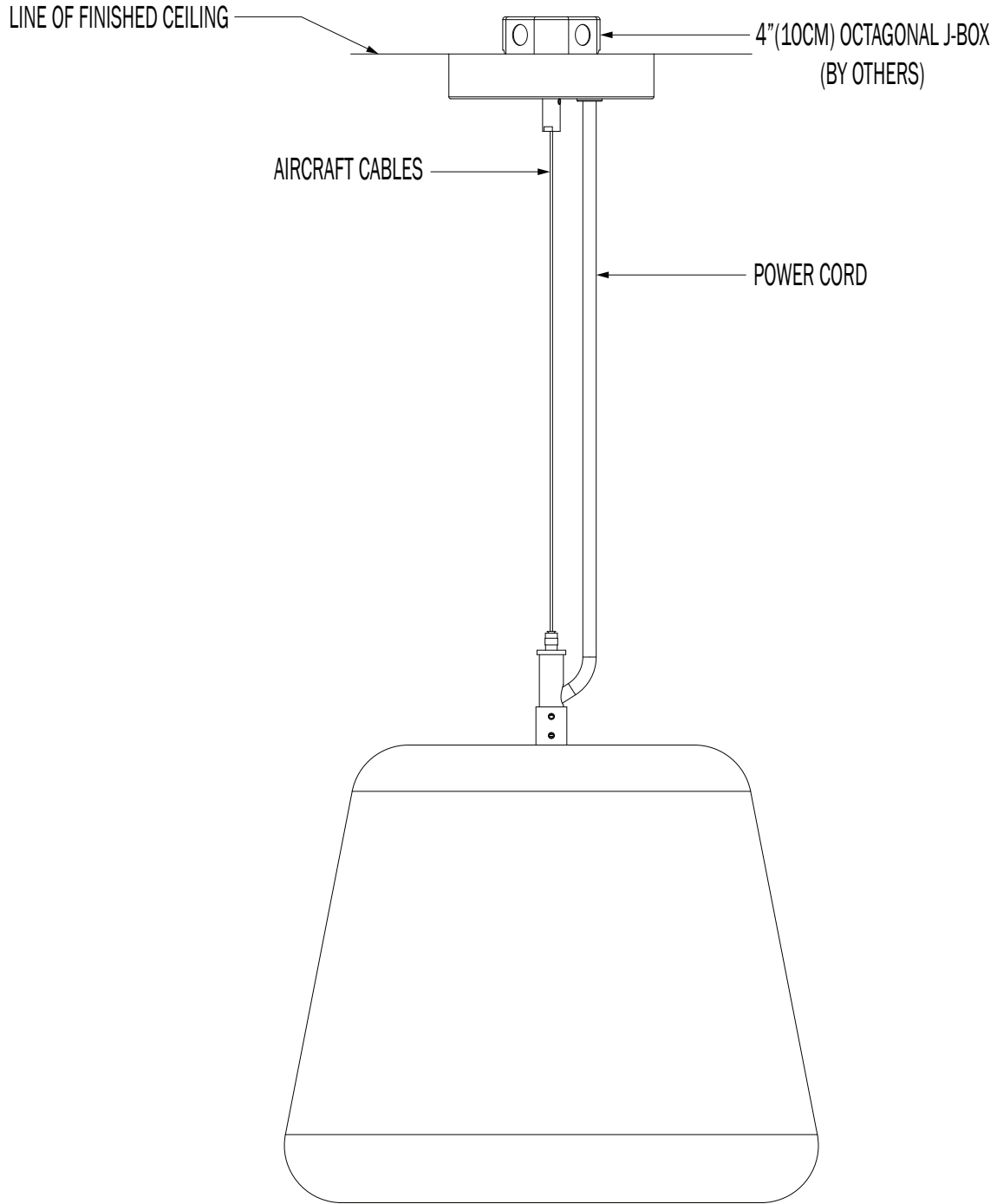
**333BE**



**CUSTOM**

NOTE: THIS FIXTURE CAN BE CUSTOMIZE. DIMENSION, LAMP TYPES, ENCLOSURE, AND COLOR CAN BE MODIFIED TO SUIT YOUR LIGHTING AND ARCHITECTURAL REQUIREMENTS. CONTACT YOUR LOCAL REPRESENTATIVE FOR MORE DETAILS: <https://tmslighting.com/sales-agents.html>

**CEILING MOUNT**

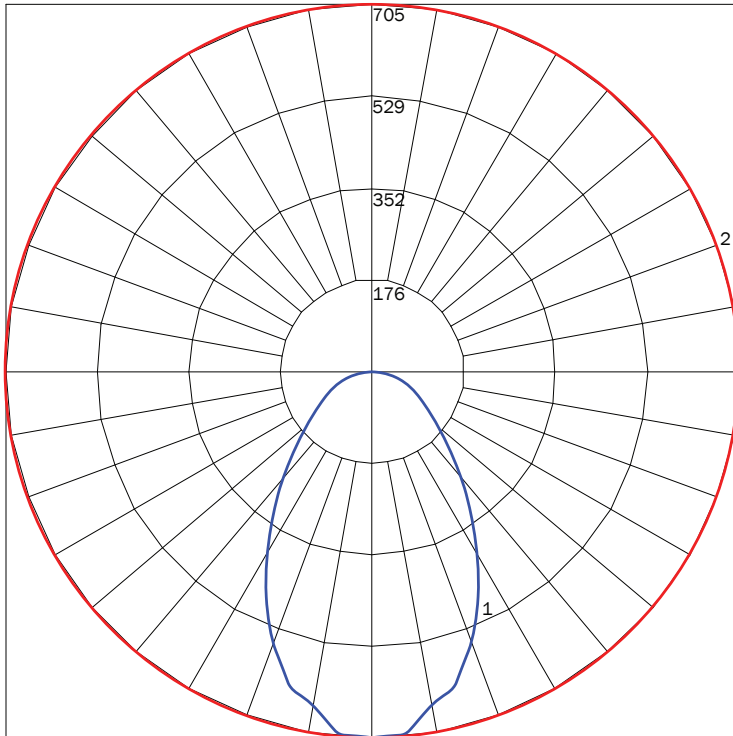


## DIRECT

PN	SIZE (DIA)	ILLUMINATION	LUMENS	WATTAGE
333BE	10	20LED	1111	20
		60IN	1492	200
	14	20LED	1198	20
		60IN	1546	200
	18	20LED	1206	20
		30LED	1572	30
60IN		1561	200	

**IES INDOOR REPORT**  
**PHOTOMETRIC FILENAME : 333BE 10 20LED 35K F05**

### POLAR GRAPH

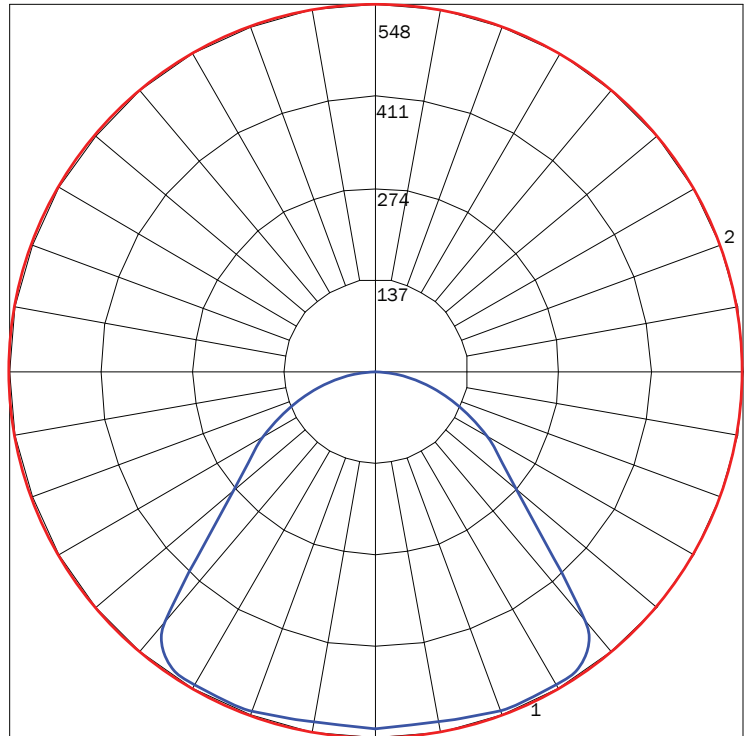


MAXIMUM CANDELA = 704.78 LOCATED AT HORIZONTAL ANGLE = 0, VERTICAL ANGLE = 0  
 # 1 - VERTICAL PLANE THROUGH HORIZONTAL ANGLES (0 - 180)  
 # 2 - HORIZONTAL CONE THROUGH VERTICAL ANGLE (0) (THROUGH MAX. CD.)

**LUMINAIRE LUMENS** 1111  
**TOTAL LUMINAIRE EFFICIENCY** 43%  
**LUMINAIRE EFFICACY RATING** 53  
**TOTAL LUMINAIRE WATTS** 21

**IES INDOOR REPORT**  
**PHOTOMETRIC FILENAME : 333BE 18 200INC F05**

### POLAR GRAPH



MAXIMUM CANDELA = 547.57 LOCATED AT HORIZONTAL ANGLE = 45, VERTICAL ANGLE = 25  
 # 1 - VERTICAL PLANE THROUGH HORIZONTAL ANGLES (45 - 225) (THROUGH MAX. CD.)  
 # 2 - HORIZONTAL CONE THROUGH VERTICAL ANGLE (25) (THROUGH MAX. CD.)

**LUMINAIRE LUMENS** 1561  
**TOTAL LUMINAIRE EFFICIENCY** 52%  
**LUMINAIRE EFFICACY RATING** 8  
**TOTAL LUMINAIRE WATTS** 200

## FINISHES



## PREMIUM FINISHES



1: FINISHES IS APPLIED TO THE INTERIOR AND EXTERIOR OF THE FIXTURE.

2: MATERIALS ARE CONSISTENT (INTERIOR & EXTERIOR). STEMS AND CANOPIES WILL BE F16 GLOSS BLACK.

NOTE: ALL FINISHES NOT MARKED WITH NOTATION (1) ARE APPLIED TO THE EXTERIOR ONLY. THE INTERIOR WILL BE F05 GLOSS WHITE.

MATTE FINISHES AVAILABLE. CONSULT FACTORY.

FINISHES ARE SUBJECT TO AVAILABILITY AND MAY NOT BE APPLICABLE TO ALL FIXTURES OR FOR QUICKSHIP.

DISPLAYED FINISHES DIFFER BETWEEN SCREENS AS WELL AS PRINTERS AND MAY NOT ACCURATELY DEPICT COLOR.