

APOLLO AP1™ POLE

PROJECT: _____

TYPE: _____

QUANTITY: _____



PN: AP1

APPLICATION	<ul style="list-style-type: none">• POLE MOUNT• OUTDOOR RATED
DIMENSION	<ul style="list-style-type: none">• 10', 12', 14' (305CM, 366CM, 427CM)
ILLUMINATION	<ul style="list-style-type: none">• DIFFUSE• LED 90CRI• 557 - 1,914 LUMENS
ELECTRICAL	<ul style="list-style-type: none">• 120V, 277V, AND 347V• 10kA SURGE SUPPRESSION STANDARD
DIFFUSERS	<ul style="list-style-type: none">• HIGH EFFICIENCY ACRYLIC
MOUNTING	<ul style="list-style-type: none">• DIRECT BURIAL OR SURFACE MOUNT
CONSTRUCTION	<ul style="list-style-type: none">• ALUMINUM
FINISHES	<ul style="list-style-type: none">• AVAILABLE IN SEVERAL TMS POWDER COATED FINISHES• CUSTOM RAL FINISHES AVAILABLE



APOLLO AP1™ POLE



PROJECT: _____

TYPE: _____

QUANTITY: _____

AP1

1 2 3 4 5 6 7 8 9 10

1.	SM¹					BM				
MOUNTING	SURFACE MOUNT					BURIAL MOUNT - 48" (121CM) BELOW GRADE				
2.	10			12			14			
HEIGHT	120" OAH (305CM), 93" H (236CM) TO REFLECTOR			144" OAH (366CM), 123" H (312CM) CLEARANCE			168" OAH (427CM), 147" H (373CM) CLEARANCE			
3.	150IN³					19LED³				
ILLUMINATION ²	150W INCANDESCENT					19W LED				
LED (W)	150W					19W				
REFLECTOR FINISH	SS					CO		CO		CO
LUMENS	1914					703		703		703
4.	---		30K			35K		40K		
LED CCT	NONE		3000K			3500K		4000K		
5.	120			277			347			
VOLTAGE	120V			277V			347V			
6.	F04	F05	F08	F08	F09	F10	F13	F15	F16	F18
FINISH	MATTE WHITE	GLOSS WHITE	ZEUS BROWN	MIDNIGHT BLUE	PEWTER	FIRE RED	FOREST GREEN	MATTE BLACK	GLOSS BLACK	SATIN ALUMINUM
	F21	F31	F32	F33	RAL					
	ARCH BRONZE	SILVER METALLIC	BRONZE METALLIC	PYRITE BRONZE	CUSTOM (SPECIFY)					
7.	00		AN			CO⁴		SS		
REFLECTOR FINISH	SAME FINISH		ANDONIZED			SOLID COPPER		316L STAINLESS STEEL		
8.	---			EM			EMC			
EMERGENCY ⁵	NONE			INTEGRAL			INTEGRAL COLD PACK			
9.	---					GF1⁶				
RECEPTACLE	NONE					120V GFI RECEPTACLE WITH IN-USE COVER (LOCK BY OTHERS)				
10.	---					PC				
PHOTOCELL	NONE					PHOTOCELL				

1. BASE COVER IS PROVIDED FOR SURFACE MOUNTING ONLY

2. LUMINAIRE IS DESIGNED TO OPERATE WITH AN E-17 METAL HALIDE LAMP. ONLY CF AND MH SYSTEMS ARE AVAILABLE WITH A 347V SUPPLY

3. INTEGRAL LED SYSTEMS USE 120 - 277V SUPPLY AND ARE NOT COMPATIBLE WITH 347V. INCANDESCENT SYSTEMS ARE COMPATIBLE WITH A 120V SUPPLY VOLTAGE ONLY

4. BRUSHED COPPER IS PROTECTED WITH A CLEAR COAT, HOWEVER PATINA WILL FORM OVER TIME WITH EXPOSURE TO THE ELEMENTS

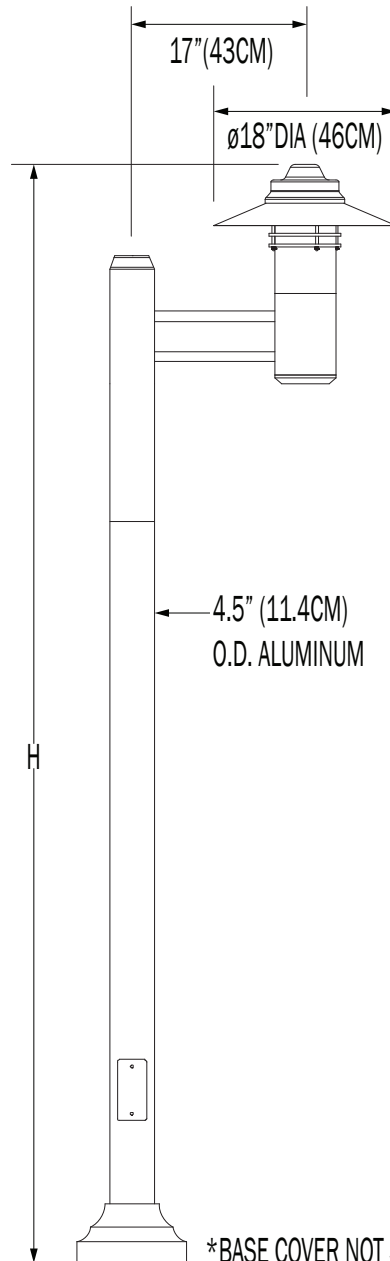
5. 10W AT 90 MINUTES. EMERGENCY OPTION IS ONLY AVAILABLE IN 120 - 277V SYSTEMS

6. THE GROUND FAULT INDICATOR RECEPTACLE IS AVAILABLE WITH A 120V SUPPLY ONLY. THE LOCK WOULD BE PROVIDED BY OTHERS

NOTE: SOME OPTIONS MAY NOT BE COMPATIBLE WITH OTHERS. ALL SPECIFICATIONS ARE SUBJECT TO CHANGE WITHOUT NOTICE. CONTACT TMS LIGHTING FOR UPDATED SPECIFICATIONS.

APOLLO AP1™ POLE

AP1



CUSTOM

NOTE: THIS FIXTURE CAN BE CUSTOMIZE. DIMENSION, LAMP TYPES, ENCLOSURE, AND COLOR CAN BE MODIFIED TO SUIT YOUR LIGHTING AND ARCHITECTURAL REQUIREMENTS. CONTACT YOUR LOCAL REPRESENTATIVE FOR MORE DETAILS: <https://tmslighting.com/sales-agents.html>

TMSLIGHTING

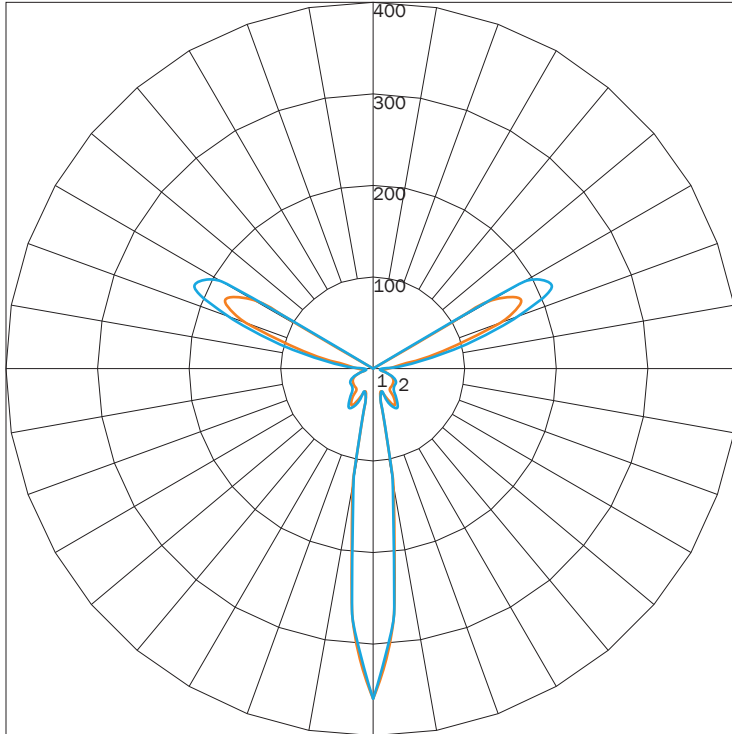
DIFFUSE

PN	ILLUMINATION	REFLECTOR FINISH	LUMENS	WATTAGE
AP1	19LED	---	557	19
	19LED	SS	680	19
	19LED	CO	703	19
	150IN	SS	1914	150

IES INDOOR REPORT

PHOTOMETRIC FILENAME : AP1 19LED F16 F16.IES

POLAR GRAPH



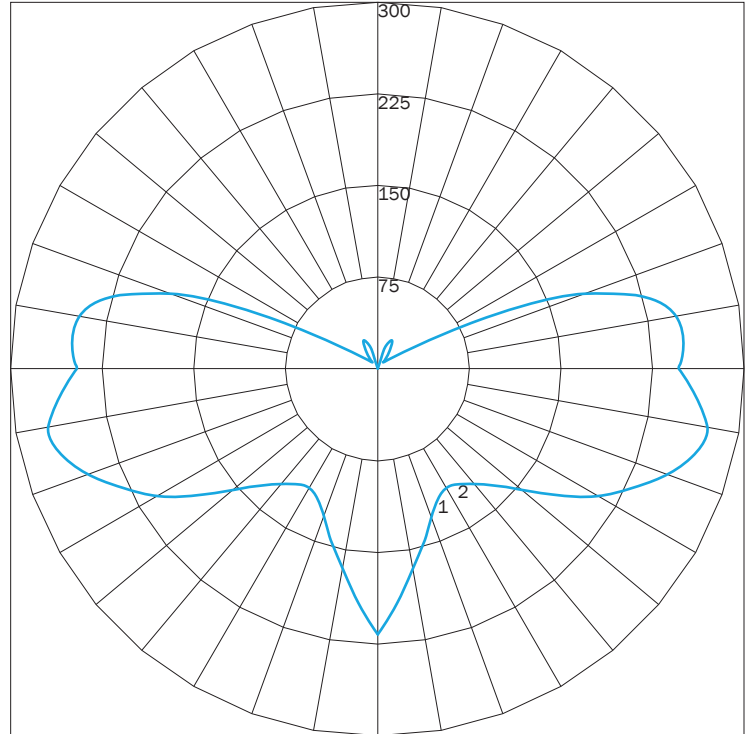
MAXIMUM CANDELA = 360.08 LOCATED AT HORIZONTAL ANGLE = 0, VERTICAL ANGLE = 0
 # 1 - VERTICAL PLANE THROUGH HORIZONTAL ANGLES (90 - 270)
 # 2 - VERTICAL PLANE THROUGH HORIZONTAL ANGLES (0 - 180)

LUMINAIRE LUMENS 557
TOTAL LUMINAIRE EFFICIENCY 26%
LUMINAIRE EFFICACY RATING NA
TOTAL LUMINAIRE WATTS 22

IES INDOOR REPORT

PHOTOMETRIC FILENAME : AP1 150IN SS F16.IES

POLAR GRAPH



MAXIMUM CANDELA = 274.58 LOCATED AT HORIZONTAL ANGLE = 0, VERTICAL ANGLE = 80
 # 1 - VERTICAL PLANE THROUGH HORIZONTAL ANGLES (90 - 270)
 # 2 - VERTICAL PLANE THROUGH HORIZONTAL ANGLES (0 - 180)

LUMINAIRE LUMENS 1914
TOTAL LUMINAIRE EFFICIENCY 72%
LUMINAIRE EFFICACY RATING NA
TOTAL LUMINAIRE WATTS 150

AVAILABLE FINISHES



F04
MATTE
WHITE



F05
GLOSS
WHITE



F07
ZEUS
BROWN



F08
MIDNIGHT
BLUE



F09
PEWTER



F10
FIRE
RED



F13
FOREST
GREEN



F15
MATTE
BLACK



F16
GLOSS
BLACK



F18
SATIN
ALUMINUM



F21
ARCH
BRONZE



F31
SILVER
METALLIC



F32
METALLIC
BRONZE



F33
PYRITE
BRONZE



RAL
CUSTOM
COLOR
(RAL #)

NOTE: DISPLAYED FINISHES DIFFER BETWEEN SCREENS AS WELL AS PRINTERS AND MAY NOT ACCURATELY DEPICT COLOR.