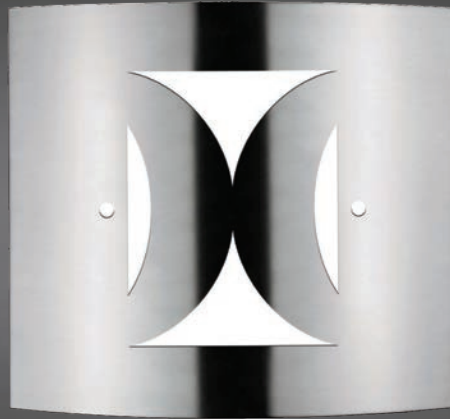


# AMHERST SD™ SCONCE

PROJECT: \_\_\_\_\_

TYPE: \_\_\_\_\_

QUANTITY: \_\_\_\_\_



## PN: AM200SD

|                     |   |
|---------------------|---|
| <b>APPLICATION</b>  | <ul style="list-style-type: none"><li>• WALL MOUNT</li><li>• INDOOR OR OUTDOOR RATED</li><li>• ADA COMPLIANT</li></ul>                                |
| <b>DIMENSION</b>    | <ul style="list-style-type: none"><li>• 13"W X 12"H OR 16"W X 14"H<br/>(33CM X 31CM OR 41CM X 36CM)</li><li>• DEPTH: 3.87" (9.9CM)</li></ul>          |
| <b>ILLUMINATION</b> | <ul style="list-style-type: none"><li>• DIFFUSE</li><li>• LED 90CRI</li><li>• 361 - 1,212 LUMENS</li></ul>  |
| <b>ELECTRICAL</b>   | <ul style="list-style-type: none"><li>• 120V, 277V AND 347V</li><li>• 10KA SURGE SUPPRESSION STANDARD</li></ul>                                       |
| <b>DIFFUSERS</b>    | <ul style="list-style-type: none"><li>• HIGH EFFICIENCY ACRYLIC</li></ul>   |
| <b>MOUNTING</b>     | <ul style="list-style-type: none"><li>• WALL, MOUNTED TO A 4"(10CM) J-BOX</li></ul>   |
| <b>CONSTRUCTION</b> | <ul style="list-style-type: none"><li>• STEEL (INDOOR)</li><li>• ALUMINUM (OUTDOOR)</li></ul>   |
| <b>FINISHES</b>     | <ul style="list-style-type: none"><li>• AVAILABLE IN SEVERAL TMS PLATED, AND POWDER COATED FINISHES</li><li>• CUSTOM RAL FINISHES AVAILABLE</li></ul> |
| <b>DIMMING</b>      | <ul style="list-style-type: none"><li>• 0 - 10V STANDARD DIMMING</li></ul>  |

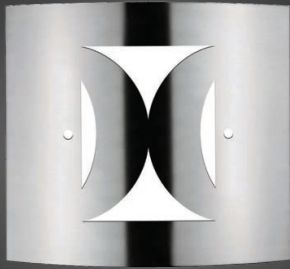


DIFFUSE

# TMSLIGHTING



# AMHERST SD™ SCONCE



PROJECT: \_\_\_\_\_

TYPE: \_\_\_\_\_

QUANTITY: \_\_\_\_\_

## AM200SD

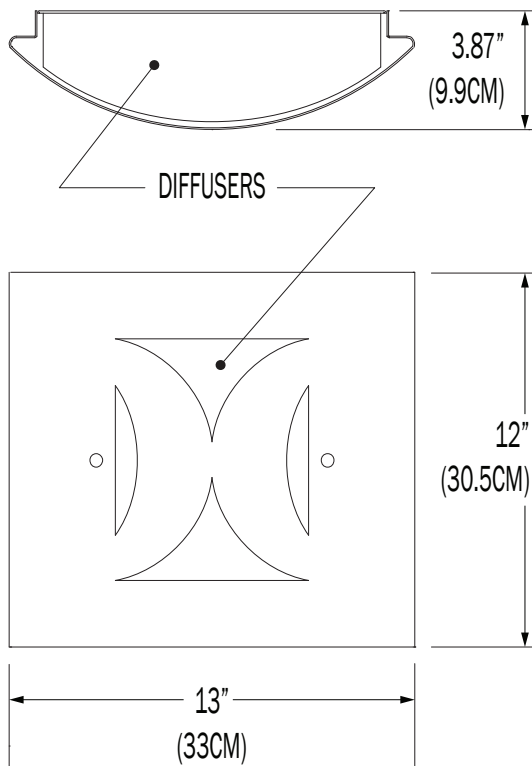
1 2 3 4 5 6 7 8

|              |  |                       |                       |                              |  |                       |                       |               |                  |            |  |
|--------------|--|-----------------------|-----------------------|------------------------------|--|-----------------------|-----------------------|---------------|------------------|------------|--|
| <b>1.</b>    | <b>I</b>                                 |                       |                       |                              | <b>O</b>                                 |                       |                       |               |                  |            |  |
| APPLICATION  | INDOOR                                   |                       |                       |                              | OUTDOOR                                  |                       |                       |               |                  |            |  |
| <b>2.</b>    | <b>13<sup>1</sup></b>                    |                       |                       |                              | <b>16</b>                                |                       |                       |               |                  |            |  |
| SIZE         | 13"W X 12"H X 3.8"D (33CM X 30CM X 10CM) |                       |                       |                              | 16"W X 14"H X 3.8"D (41CM X 36CM X 10CM) |                       |                       |               |                  |            |  |
| <b>3.</b>    | <b>14LED</b>                             |                       |                       |                              | <b>28LED</b>                             |                       |                       |               |                  |            |  |
| ILLUMINATION | 14W LED                                  |                       |                       |                              | 28W LED                                  |                       |                       |               |                  |            |  |
| LED (W)      | 14W                                      |                       |                       |                              | 28W                                      |                       |                       |               |                  |            |  |
| LUMENS       | 361                                      |                       |                       |                              | 1212                                     |                       |                       |               |                  |            |  |
| <b>4.</b>    | <b>30K</b>                               |                       |                       | <b>35K</b>                   |  |                       | <b>40K</b>            |               |                  |            |  |
| LED CCT      | 3000                                     |                       |                       | 3500                         |  |                       | 4000                  |               |                  |            |  |
| <b>5.</b>    | <b>120</b>                               |                       |                       | <b>277</b>                   |  |                       | <b>347</b>            |               |                  |            |  |
| VOLTAGE      | 120V                                     |                       |                       | 277V                         |  |                       | 347V                  |               |                  |            |  |
| <b>6.</b>    | <b>SN<sup>2</sup></b>                    | <b>CH<sup>2</sup></b> | <b>BC<sup>2</sup></b> | <b>AC<sup>2</sup></b>        | <b>AB<sup>2</sup></b>                    | <b>SB<sup>2</sup></b> | <b>PB<sup>2</sup></b> | <b>F04</b>    | <b>F05</b>       | <b>F09</b> |  |
| FINISH       | SATIN NICKEL                             | CHROME                | BLACK CHROME          | ANTIQUÉ COPPER               | ANTIQUÉ BRASS                            | SATIN BRASS           | POLISHED BRASS        | MATTE WHITE   | GLOSS WHITE      | PEWTER     |  |
|              | <b>F15</b>                               | <b>F16</b>            | <b>F18</b>            | <b>F24</b>                   | <b>F25</b>                               | <b>F26</b>            | <b>F31</b>            | <b>F33</b>    | <b>RAL</b>       |            |  |
|              | MATTE BLACK                              | GLOSS BLACK           | SATIN ALUMINUM        | MELTED PLATINUM              | MELTED GOLD                              | MELTED COPPER         | SILVER METALLIC       | PYRITE BRONZE | CUSTOM (SPECIFY) |            |  |
| <b>7.</b>    | <b>OP</b>                                |                       |                       | <b>SD</b>                    |  |                       | <b>FPD</b>            |               |                  |            |  |
| DIFFUSER     | OPAL - WHITE ACRYLIC                     |                       |                       | SAND - BLASTED WHITE ACRYLIC |  |                       | FAUX PERFORATED       |               |                  |            |  |
| <b>8.</b>    | ---                                      |                       |                       |                              | <b>DIML</b>                              |                       |                       |               |                  |            |  |
| DIMMING      | NONE                                     |                       |                       |                              | LED DIMMING (0 - 10V, CURRENT - SINKING) |                       |                       |               |                  |            |  |

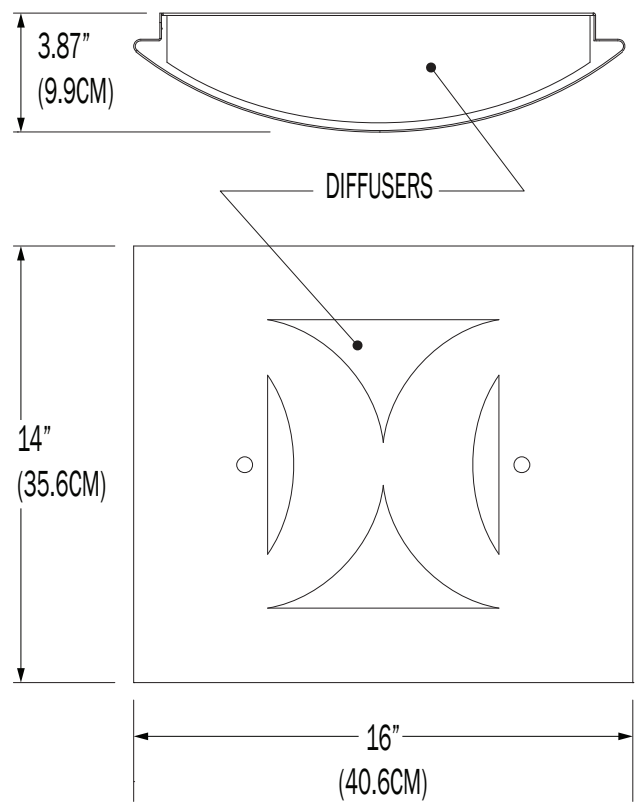
1. SIZE 13 IS DESIGNED FOR INDOOR APPLICATIONS ONLY  
 2. PLATED FINISHES ARE INDOOR APPLICATIONS ONLY

NOTE: SOME OPTIONS MAY NOT BE COMPATIBLE WITH OTHERS. ALL SPECIFICATIONS ARE SUBJECT TO CHANGE WITHOUT NOTICE. CONTACT TMS LIGHTING FOR UPDATED SPECIFICATIONS.

**AM200SD - 13"**



**AM200SD - 16"**



**CUSTOM**

NOTE: THIS FIXTURE CAN BE CUSTOMIZE. DIMENSION, LAMP TYPES, ENCLOSURE, AND COLOR CAN BE MODIFIED TO SUIT YOUR LIGHTING AND ARCHITECTURAL REQUIREMENTS. CONTACT YOUR LOCAL REPRESENTATIVE FOR MORE DETAILS: <https://tmslighting.com/sales-agents.html>

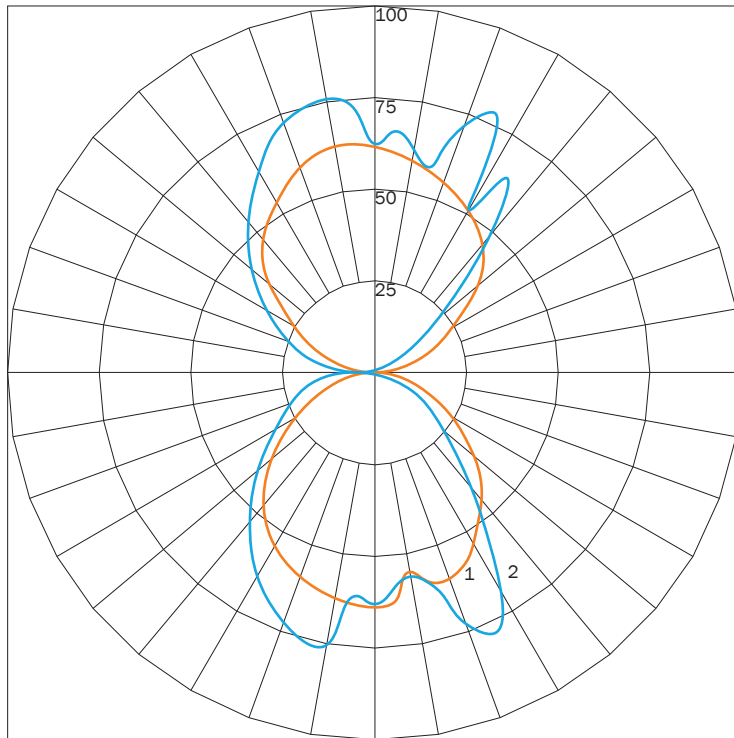
## INDIRECT/DIRECT

| PN      | SIZES | ILLUMINATION | LUMENS | WATTAGE |
|---------|-------|--------------|--------|---------|
| AM200SD | 13    | 14LED        | 361    | 14      |
|         | 16    | 28LED        | 1212   | 28      |

### IES INDOOR REPORT

PHOTOMETRIC FILENAME : AM200 SD 13 14LED SN OP.IES

### POLAR GRAPH



MAXIMUM CANDELA = 31.41 LOCATED AT HORIZONTAL ANGLE = 180, VERTICAL ANGLE = 170  
 # 1 - VERTICAL PLANE THROUGH HORIZONTAL ANGLES (90 - 270)  
 # 2 - VERTICAL PLANE THROUGH HORIZONTAL ANGLES (0 - 180)

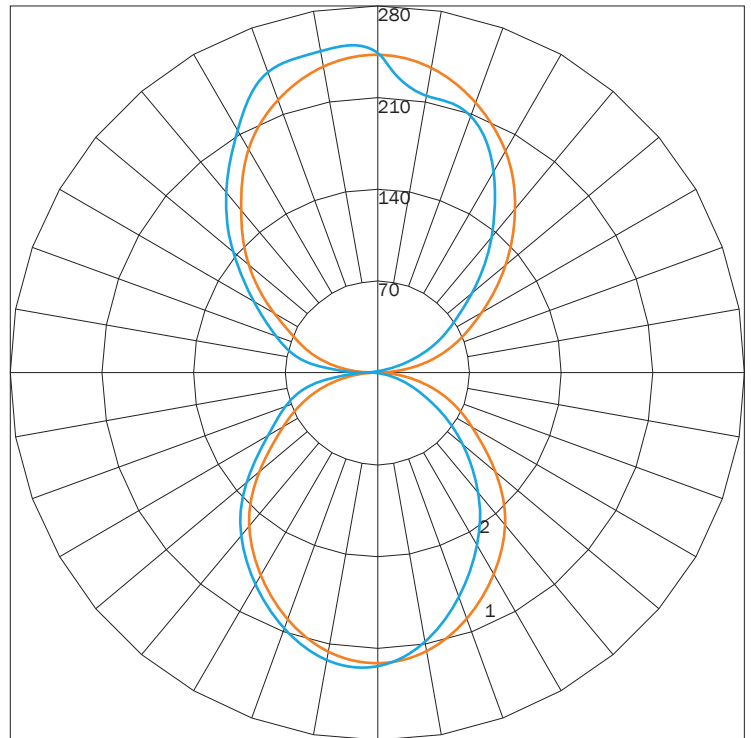
**LUMINAIRE LUMENS**  
**TOTAL LUMINAIRE EFFICIENCY**  
**LUMINAIRE EFFICACY RATING**  
**TOTAL LUMINAIRE WATTS**

360  
 NA  
 22  
 17

### IES INDOOR REPORT

PHOTOMETRIC FILENAME : AM200 SD 16 28LED SN OP.IES

### POLAR GRAPH



MAXIMUM CANDELA = 258.47 LOCATED AT HORIZONTAL ANGLE = 30, VERTICAL ANGLE = 175  
 # 1 - VERTICAL PLANE THROUGH HORIZONTAL ANGLES (90 - 270)  
 # 2 - VERTICAL PLANE THROUGH HORIZONTAL ANGLES (0 - 180)

**LUMINAIRE LUMENS**  
**TOTAL LUMINAIRE EFFICIENCY**  
**LUMINAIRE EFFICACY RATING**  
**TOTAL LUMINAIRE WATTS**

1212  
 NA  
 37  
 33

## AVAILABLE FINISHES



**SN**  
SATIN  
NICKEL



**CH**  
CHROME



**BC**  
BLACK  
CHROME



**AC**  
ANTIQUÉ  
COPPER



**AB**  
ANTIQUÉ  
BRASS



**SB**  
SATIN  
BRASS



**PB**  
POLISHED  
BRASS



**F04**  
MATTE  
WHITE



**F05**  
GLOSS  
WHITE



**F09**  
PEWTER



**F15**  
MATTE  
BLACK



**F16**  
GLOSS  
BLACK



**F18**  
SATIN  
ALUMINUM



**F24**  
MELTED  
PLATINUM



**F25**  
MELTED  
GOLD



**F26**  
MELTED  
COPPER



**F31**  
SILVER  
METALLIC



**F33**  
PYRITE  
BRONZE



**RAL**  
CUSTOM  
COLOR  
(RAL #)

NOTE: DISPLAYED FINISHES DIFFER BETWEEN SCREENS AS WELL AS PRINTERS AND MAY NOT ACCURATELY DEPICT COLOR.