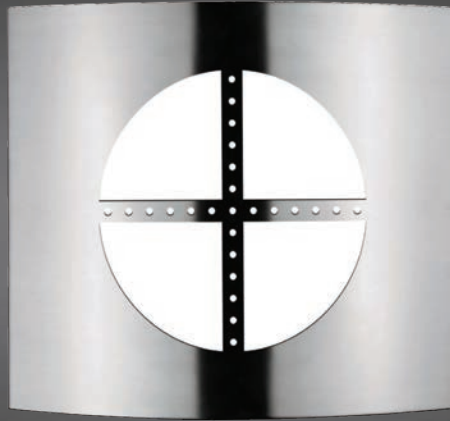


PROJECT: _____

TYPE: _____

QUANTITY: _____



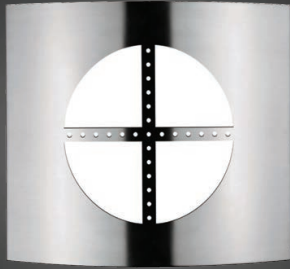
PN: AM200QC

APPLICATION	<ul style="list-style-type: none">• WALL MOUNT• INDOOR OR OUTDOOR RATED• ADA COMPLIANT
DIMENSION	<ul style="list-style-type: none">• 13"W X 12"H OR 16"W X 14"H (33CM X 31CM OR 41CM X 36CM)• DEPTH: 3.87" (9.9CM)
ILLUMINATION	<ul style="list-style-type: none">• DIFFUSE• LED 90CRI• 366 - 1,212 LUMENS
ELECTRICAL	<ul style="list-style-type: none">• 120V, 277V AND 347V• 10KA SURGE SUPPRESSION STANDARD
DIFFUSERS	<ul style="list-style-type: none">• HIGH EFFICIENCY ACRYLIC
MOUNTING	<ul style="list-style-type: none">• WALL, MOUNTED TO A 4"(10CM) J-BOX
CONSTRUCTION	<ul style="list-style-type: none">• STEEL (INDOOR)• ALUMINUM (OUTDOOR)
FINISHES	<ul style="list-style-type: none">• AVAILABLE IN SEVERAL TMS PLATED, AND POWDER COATED FINISHES• CUSTOM RAL FINISHES AVAILABLE
DIMMING	<ul style="list-style-type: none">• 0 - 10V STANDARD DIMMING



DIFFUSE

AMHERST QC™ SCONCE



PROJECT: _____

TYPE: _____

QUANTITY: _____

AM200QC

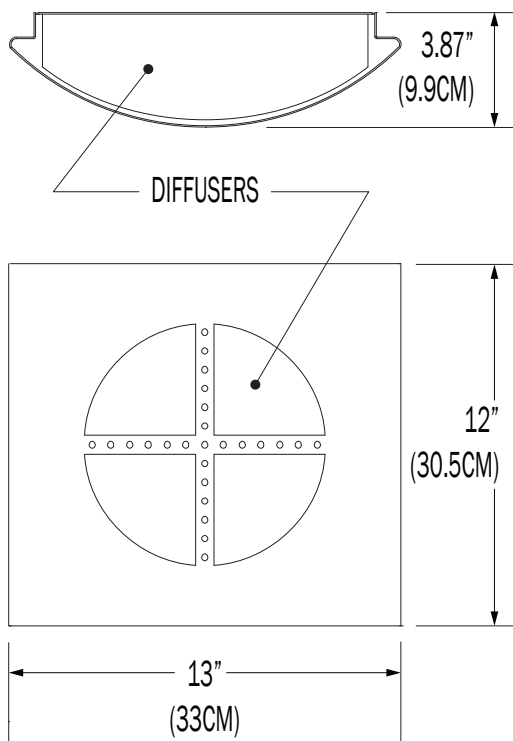
1 2 3 4 5 6 7 8

1.	I					O				
APPLICATION	INDOOR					OUTDOOR				
2.	13 ¹					16				
SIZE	13"W X 12"H X 3.8"D (33CM X 30CM X 10CM)					16"W X 14"H X 3.8"D (41CM X 36CM X 10CM)				
3.	14LED					28LED				
ILLUMINATION	14W LED					28W LED				
LED (W)	14W					28W				
LUMENS	366					1212				
4.	30K			35K			40K			
LED CCT	3000			3500			4000			
5.	120			277			347			
VOLTAGE	120V			277V			347V			
6.	SN ²	CH ²	BC ²	AC ²	AB ²	SB ²	PB ²	F04	F05	F15
FINISH	SATIN NICKEL	CHROME	BLACK CHROME	ANTIQUÉ COPPER	ANTIQUÉ BRASS	SATIN BRASS	POLISHED BRASS	MATTE BLACK	GLOSS BLACK	MATTE BLACK
	F15	F16	F18	F24	F25	F26	F31	F33	RAL	
	MATTE BLACK	GLOSS BLACK	SATIN ALUMINUM	MELTED PLATINUM	MELTED GOLD	MELTED COPPER	SILVER METALLIC	PYRITE BRONZE	CUSTOM (SPECIFY)	
7.	OP			SD			FPD			
DIFFUSER	OPAL - WHITE ACRYLIC			SAND - BLASTED WHITE ACRYLIC			FAUX PERFORATED			
8.	---					DIML				
DIMMING	NONE					LED DIMMING (0 - 10V, CURRENT - SINKING)				

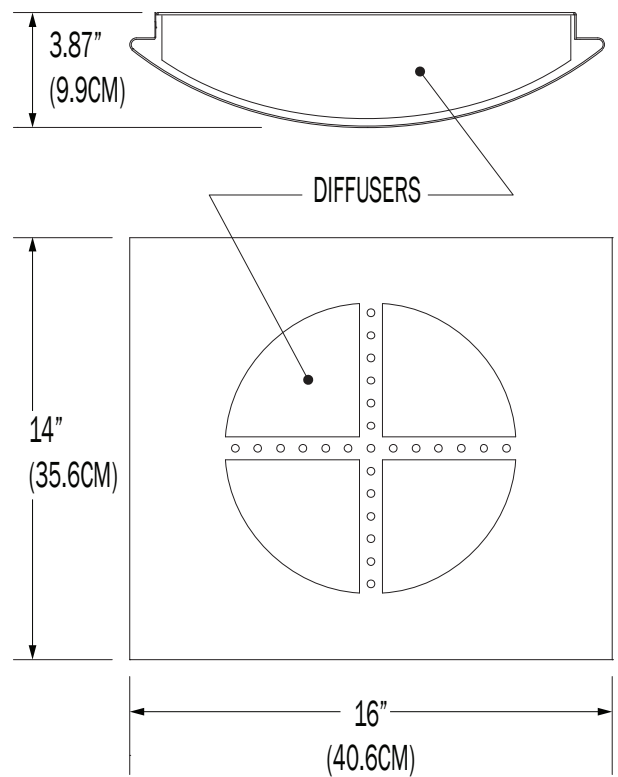
1. SIZE 13 IS DESIGNED FOR INDOOR APPLICATIONS ONLY
 2. PLATED FINISHES ARE INDOOR APPLICATIONS ONLY

NOTE: SOME OPTIONS MAY NOT BE COMPATIBLE WITH OTHERS. ALL SPECIFICATIONS ARE SUBJECT TO CHANGE WITHOUT NOTICE. CONTACT TMS LIGHTING FOR UPDATED SPECIFICATIONS.

AM200QC - 13"



AM200QC - 16"



CUSTOM

NOTE: THIS FIXTURE CAN BE CUSTOMIZE. DIMENSION, LAMP TYPES, ENCLOSURE, AND COLOR CAN BE MODIFIED TO SUIT YOUR LIGHTING AND ARCHITECTURAL REQUIREMENTS. CONTACT YOUR LOCAL REPRESENTATIVE FOR MORE DETAILS: <https://tmslighting.com/sales-agents.html>

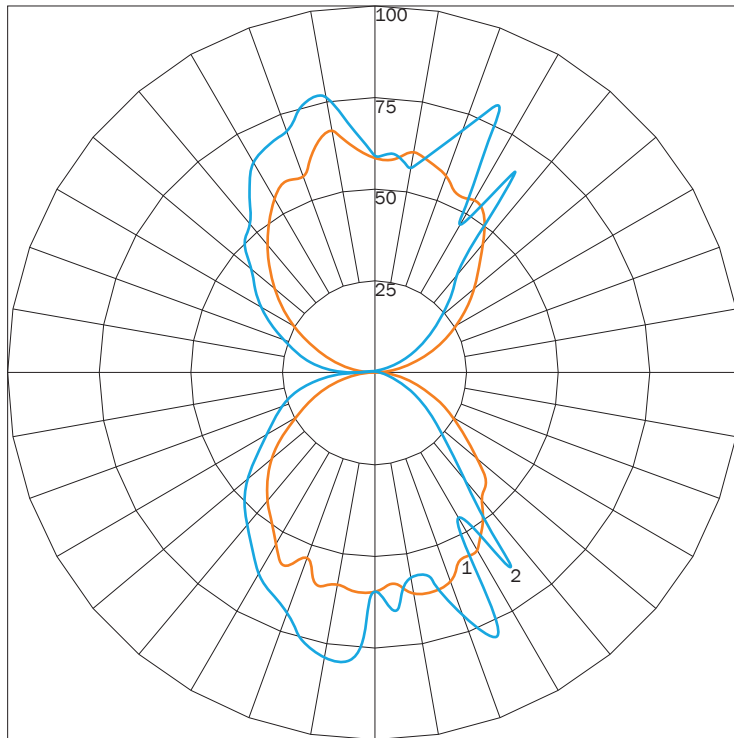
INDIRECT/DIRECT

PN	SIZES	ILLUMINATION	LUMENS	WATTAGE
AM200QC	13	14LED	366	14
	16	28LED	1212	28

IES INDOOR REPORT

PHOTOMETRIC FILENAME : AM200 QC 13 14LED SN OP.IES

POLAR GRAPH



MAXIMUM CANDELA = 80.6 LOCATED AT HORIZONTAL ANGLE = 0, VERTICAL ANGLE = 155
 # 1 - VERTICAL PLANE THROUGH HORIZONTAL ANGLES (90 - 270)
 # 2 - VERTICAL PLANE THROUGH HORIZONTAL ANGLES (0 - 180)

LUMINAIRE LUMENS

360

TOTAL LUMINAIRE EFFICIENCY

NA

LUMINAIRE EFFICACY RATING

22

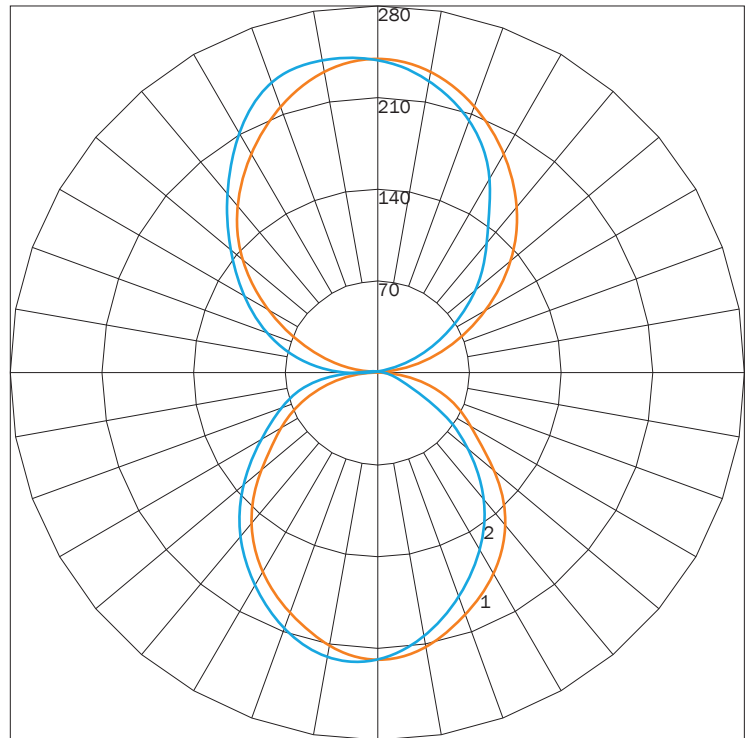
TOTAL LUMINAIRE WATTS

17

IES INDOOR REPORT

PHOTOMETRIC FILENAME : AM200 QC 16 28LED SN OP.IES

POLAR GRAPH



MAXIMUM CANDELA = 257.95 LOCATED AT HORIZONTAL ANGLE = 165, VERTICAL ANGLE = 175
 # 1 - VERTICAL PLANE THROUGH HORIZONTAL ANGLES (90 - 270)
 # 2 - VERTICAL PLANE THROUGH HORIZONTAL ANGLES (0 - 180)

LUMINAIRE LUMENS

1212

TOTAL LUMINAIRE EFFICIENCY

NA

LUMINAIRE EFFICACY RATING

37

TOTAL LUMINAIRE WATTS

33

AVAILABLE FINISHES



SN
SATIN
NICKEL



CH
CHROME



BC
BLACK
CHROME



AC
ANTIQUE
COPPER



AB
ANTIQUE
BRASS



SB
SATIN
BRASS



PB
POLISHED
BRASS



F04
GLOSS
WHITE



F05
GLOSS
WHITE



F09
PEWTER



F15
MATTE
BLACK



F16
GLOSS
BLACK



F18
SATIN
ALUMINUM



F24
MELTED
PLATINUM



F25
MELTED
GOLD



F26
MELTED
COPPER



F31
SILVER
METALLIC



F33
PYRITE
BRONZE



RAL
CUSTOM
COLOR
(RAL #)

NOTE: DISPLAYED FINISHES DIFFER BETWEEN SCREENS AS WELL AS PRINTERS AND MAY NOT ACCURATELY DEPICT COLOR.