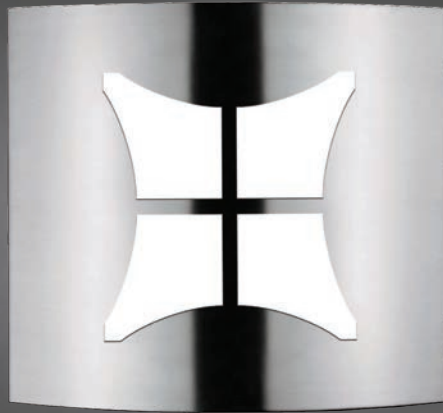


PROJECT: _____

TYPE: _____

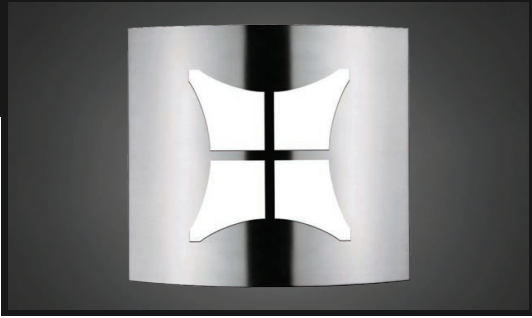
QUANTITY: _____



PN: AM200AW

APPLICATION	<ul style="list-style-type: none">• WALL MOUNT• INDOOR OR OUTDOOR RATED• ADA COMPLIANT
DIMENSION	<ul style="list-style-type: none">• 13"W X 12"H OR 16"W X 14"H (33CM X 31CM OR 41CM X 36CM)• DEPTH: 3.87" (9.9CM)
ILLUMINATION	<ul style="list-style-type: none">• DIFFUSE• LED 90CRI• 360 - 1,217 LUMENS
ELECTRICAL	<ul style="list-style-type: none">• 120V, 277V AND 347V• 10KA SURGE SUPPRESSION STANDARD
DIFFUSERS	<ul style="list-style-type: none">• HIGH EFFICIENCY ACRYLIC
MOUNTING	<ul style="list-style-type: none">• WALL, MOUNTED TO A 4"(10CM) J-BOX
CONSTRUCTION	<ul style="list-style-type: none">• STEEL (INDOOR)• ALUMINUM (OUTDOOR)
FINISHES	<ul style="list-style-type: none">• AVAILABLE IN SEVERAL TMS PLATED, AND POWDER COATED FINISHES• CUSTOM RAL FINISHES AVAILABLE
DIMMING	<ul style="list-style-type: none">• 0 - 10V STANDARD DIMMING





AMHERST AW™ SCONCE

PROJECT: _____
 TYPE: _____
 QUANTITY: _____

AM200AW

1 2 3 4 5 6 7 8

1.	I	O
APPLICATION	INDOOR	OUTDOOR

2.	13¹	16
SIZE	13"W X 12"H X 3.8"D (33CM X 30CM X 10CM)	16"W X 14"H X 3.8"D (41CM X 36CM X 10CM)

3.	14LED	28LED
ILLUMINATION	14W LED	28W LED
LED (W)	14W	28W
LUMENS	360	1217

4.	30K	35K	40K
LED CCT	3000	3500	4000

5.	120	277	347
VOLTAGE	120V	277V	347V

6.	SN²	CH²	BC²	AC²	AB²	SB²	PB²	F04	F05	F09
FINISH	SATIN NICKEL	CHROME	BLACK CHROME	ANTIQUÉ COPPER	ANTIQUÉ BRASS	SATIN BRASS	POLISHED BRASS	MATTE WHITE	GLOSS WHITE	PEWTER
	F15	F16	F18	F24	F25	F26	F31	F33	RAL	
	MATTE BLACK	GLOSS BLACK	SATIN ALUMINUM	MELTED PLATINUM	MELTED GOLD	MELTED COPPER	SILVER METALLIC	PYRITE BRONZE	CUSTOM (SPECIFY)	

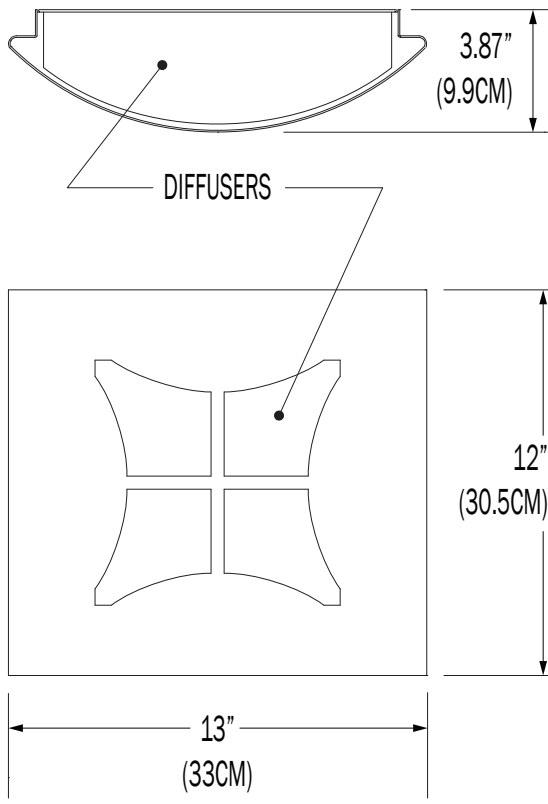
7.	OP	SD	FPD
DIFFUSER	OPAL - WHITE ACRYLIC	SAND - BLASTED WHITE ACRYLIC	FAUX PERFORATED

8.	---	DIML
DIMMING	NONE	LED DIMMING (0 - 10V, CURRENT - SINKING)

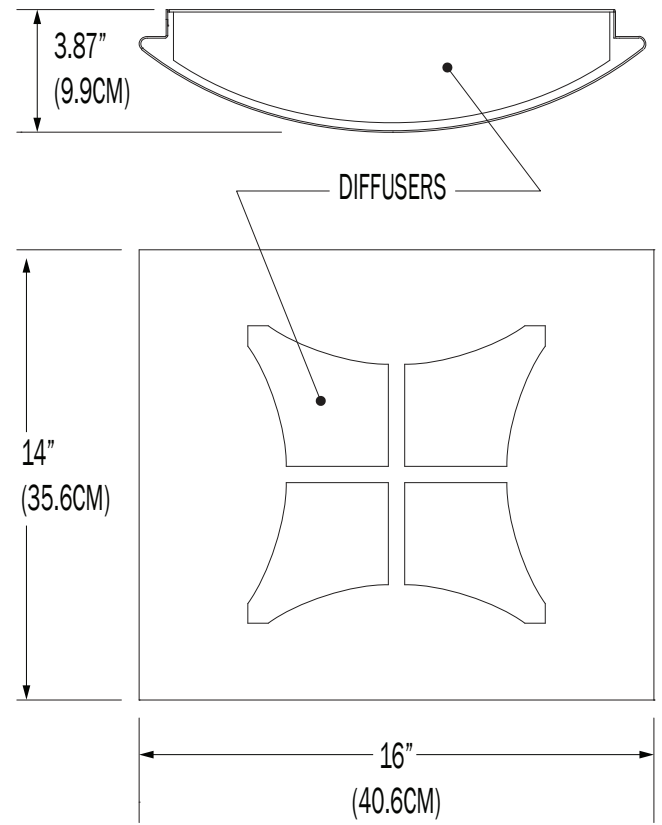
1. SIZE 13 IS DESIGNED FOR INDOOR APPLICATIONS ONLY
 2. PLATED FINISHES ARE INDOOR APPLICATIONS ONLY

NOTE: SOME OPTIONS MAY NOT BE COMPATIBLE WITH OTHERS. ALL SPECIFICATIONS ARE SUBJECT TO CHANGE WITHOUT NOTICE. CONTACT TMS LIGHTING FOR UPDATED SPECIFICATIONS.

AM200AW - 13"



AM200AW - 16"



CUSTOM

NOTE: THIS FIXTURE CAN BE CUSTOMIZE. DIMENSION, LAMP TYPES, ENCLOSURE, AND COLOR CAN BE MODIFIED TO SUIT YOUR LIGHTING AND ARCHITECTURAL REQUIREMENTS. CONTACT YOUR LOCAL REPRESENTATIVE FOR MORE DETAILS: <https://tmslighting.com/sales-agents.html>

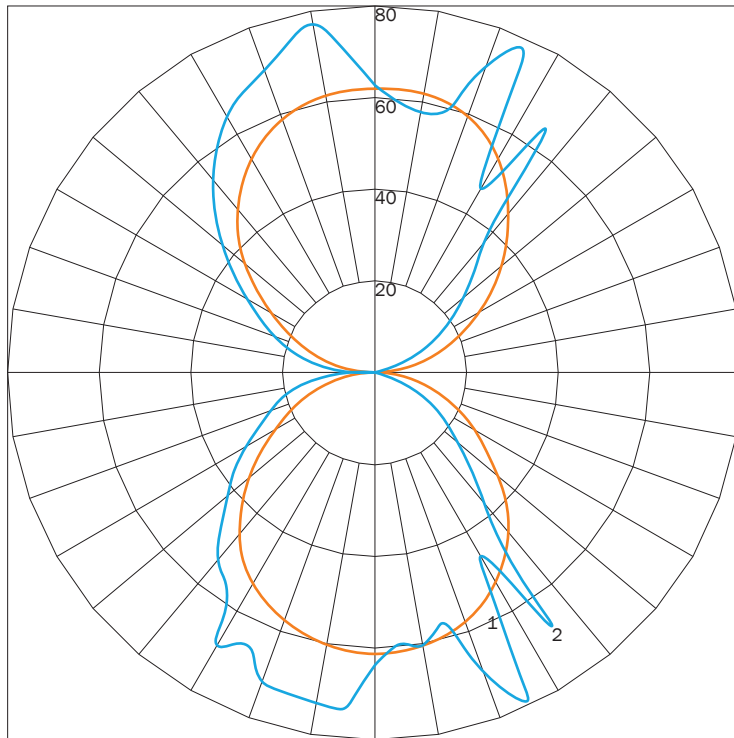
INDIRECT/DIRECT

PN	SIZES	ILLUMINATION	LUMENS	WATTAGE
AM200 AW	13	14LED	360	14
	16	28LED	1217	28

IES INDOOR REPORT

PHOTOMETRIC FILENAME : AM200 AW 13 14LED SN OP.IES

POLAR GRAPH



MAXIMUM CANDELA = 78.95 LOCATED AT HORIZONTAL ANGLE = 0, VERTICAL ANGLE = 25
 # 1 - VERTICAL PLANE THROUGH HORIZONTAL ANGLES (90 - 270)
 # 2 - VERTICAL PLANE THROUGH HORIZONTAL ANGLES (0 - 180)

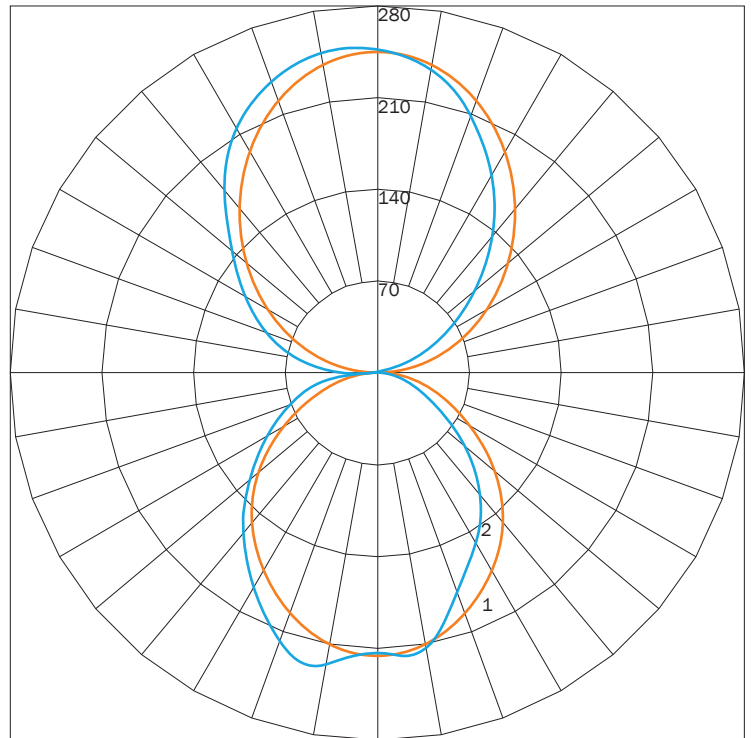
LUMINAIRE LUMENS
TOTAL LUMINAIRE EFFICIENCY
LUMINAIRE EFFICACY RATING
TOTAL LUMINAIRE WATTS

360
 NA
 22
 17

IES INDOOR REPORT

PHOTOMETRIC FILENAME : AM200 AW 16 28LED SN OP.IES

POLAR GRAPH



MAXIMUM CANDELA = 261.89 LOCATED AT HORIZONTAL ANGLE = 135, VERTICAL ANGLE = 175
 # 1 - VERTICAL PLANE THROUGH HORIZONTAL ANGLES (90 - 270)
 # 2 - VERTICAL PLANE THROUGH HORIZONTAL ANGLES (0 - 180)

LUMINAIRE LUMENS
TOTAL LUMINAIRE EFFICIENCY
LUMINAIRE EFFICACY RATING
TOTAL LUMINAIRE WATTS

1217
 NA
 37
 33

AVAILABLE FINISHES



SN
SATIN
NICKEL



CH
CHROME



BC
BLACK
CHROME



AC
ANTIQUÉ
COPPER



AB
ANTIQUÉ
BRASS



SB
SATIN
BRASS



PB
POLISHED
BRASS



F04
GLOSS
WHITE



F05
GLOSS
WHITE



F09
PEWTER



F15
MATTE
BLACK



F16
GLOSS
BLACK



F18
SATIN
ALUMINUM



F24
MELTED
PLATINUM



F25
MELTED
GOLD



F26
MELTED
COPPER



F31
SILVER
METALLIC



F33
PYRITE
BRONZE



RAL
CUSTOM
COLOR
(RAL #)

NOTE: DISPLAYED FINISHES DIFFER BETWEEN SCREENS AS WELL AS PRINTERS AND MAY NOT ACCURATELY DEPICT COLOR.