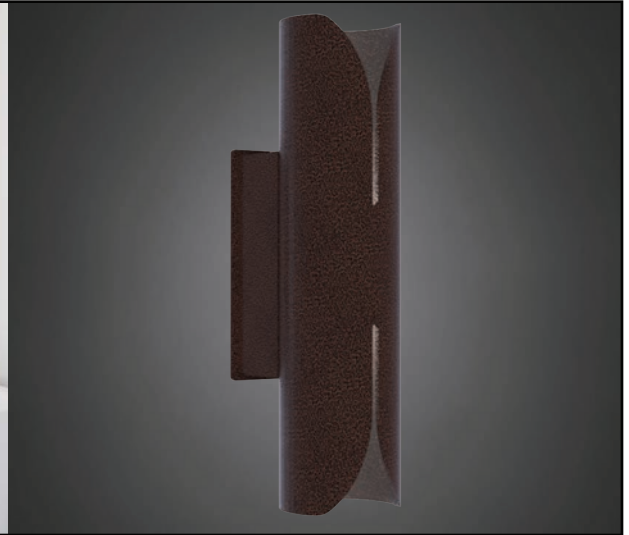


ABRAZO™ CYLINDER

PROJECT: _____

TYPE: _____

QUANTITY: _____

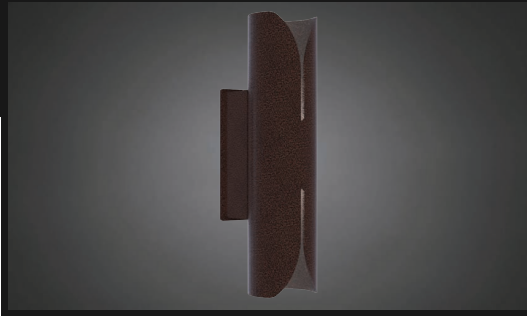


PN: ABR61

APPLICATION	<ul style="list-style-type: none">• WALL MOUNT• INDOOR OR OUTDOOR RATED
DIMENSION	<ul style="list-style-type: none">• 3.5" DIA OR 6" DIA (9CM, 15CM)
ILLUMINATION	<ul style="list-style-type: none">• DIFFUSE• LED 90CRI• 1,574 - 1,575 LUMENS
ELECTRICAL	<ul style="list-style-type: none">• 120 - 277V (347V CONSULT FACTORY)• 10kA SURGE SUPPRESSION STANDARD
DIFFUSERS	<ul style="list-style-type: none">• HIGH EFFICIENCY ACRYLIC
MOUNTING	<ul style="list-style-type: none">• WALL, MOUNTED OVER A 4"(10CM) J-BOX
CONSTRUCTION	<ul style="list-style-type: none">• ALUMINUM AND STEEL
FINISHES	<ul style="list-style-type: none">• AVAILABLE IN SEVERAL TMS POWDER COATED FINISHES• CUSTOM RAL FINISHES AVAILABLE
DIMMING	<ul style="list-style-type: none">• 0 - 10V STANDARD DIMMING
WEIGHT	<ul style="list-style-type: none">• 9 LBS MAXIMUM



ABRAZO™ CYLINDER



PROJECT: _____

TYPE: _____

QUANTITY: _____

ABR61

1 2 3 4 5 6 7

1.	3					6				
SIZE	3.5" DIA X 14" H (9CM X 36CM)					6" DIA X 24" H (16CM X 61CM)				
2.	4.5LED2					15LED2				
ILLUMINATION	2 X 4.5W LED					2 X 15W LED				
LED (W)	9W					30W				
LUMENS	---					1574				
3.	30K			35K			40K			
LED CCT	3000K			3500K			4000K			
4.	120					277				
VOLTAGE	120V					277V				
5.	F04	F05	F07	F08	F09	F10	F13	F14	F15	F16
FINISH	MATTE WHITE	GLOSS BLACK	ZEUS BROWN	MIDNIGHT BLUE	PEWTER	FIRE RED	FOREST GREEN	SUNSHINE YELLOW	MATTE BLACK	GLOSS BLACK
	F18	F21	F24	F25	F26	F31	F32	F33	F45	RAL
	SATIN ALUMINUM	ARCH BRONZE	MELTED PLATINUM	MELTED GOLD	MELTED COPPER	SILVER METALLIC	BRONZE METALLIC	PYRITE BRONZE	COPPER METALLIC	CUSTOM (SPECIFY)
6.	---					DIML				
DIMMING	NONE					LED DIMMING (0 - 10V, CURRENT - SINKING)				
7.	---					EMR				
EMERGENCY ¹	NONE					REMOTE				

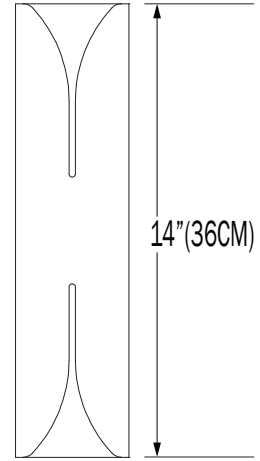
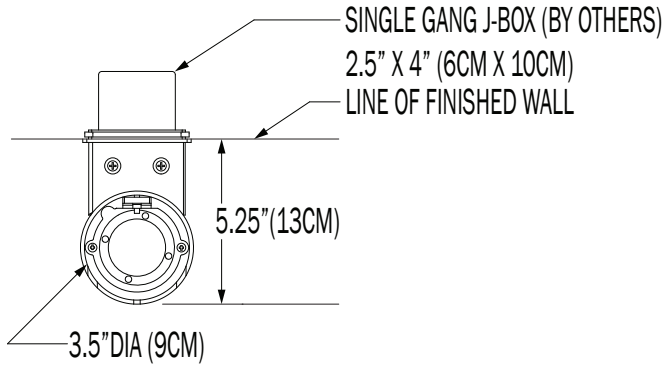
1. 10W AT 90 MINUTES

NOTE: SOME OPTIONS MAY NOT BE COMPATIBLE WITH OTHERS. ALL SPECIFICATIONS ARE SUBJECT TO CHANGE WITHOUT NOTICE. CONTACT TMS LIGHTING FOR UPDATED SPECIFICATIONS.

ABR61 - 3"

4.25LB

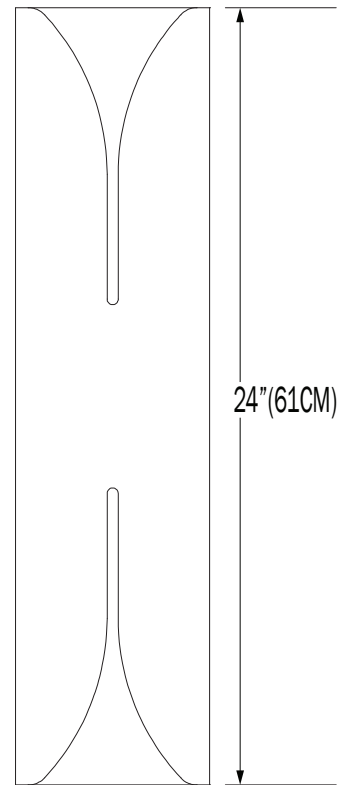
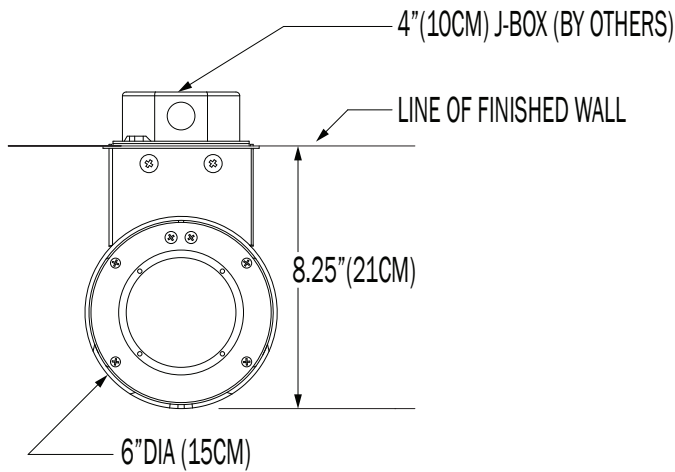
TOP/BOTTOM



ABR61 - 6"

9LB

TOP/BOTTOM



CUSTOM

NOTE: THIS FIXTURE CAN BE CUSTOMIZE. DIMENSION, LAMP TYPES, ENCLOSURE, AND COLOR CAN BE MODIFIED TO SUIT YOUR LIGHTING AND ARCHITECTURAL REQUIREMENTS. CONTACT YOUR LOCAL REPRESENTATIVE FOR MORE DETAILS: <https://tmslighting.com/sales-agents.html>

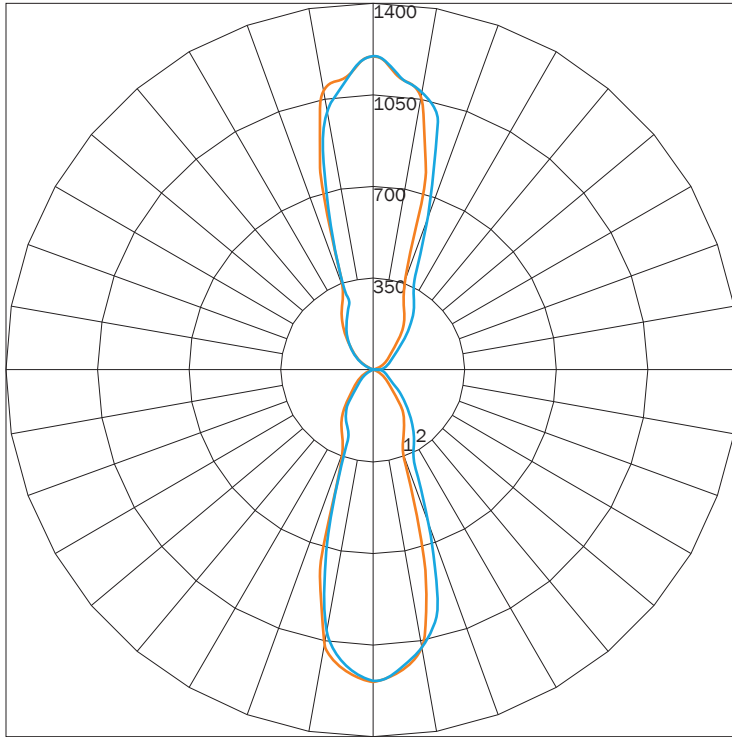
DIFFUSE

PN	SIZE (DIA)	ILLUMINATION	FINISH	LUMENS	WATTAGE
ABR61	3D	4.3 LED2	F05	---	9
	6D	15 LED2	F05	1574	30
			F21	1575	30

IES INDOOR REPORT

PHOTOMETRIC FILENAME : ABR61 6 15LED2 F05.IES

POLAR GRAPH



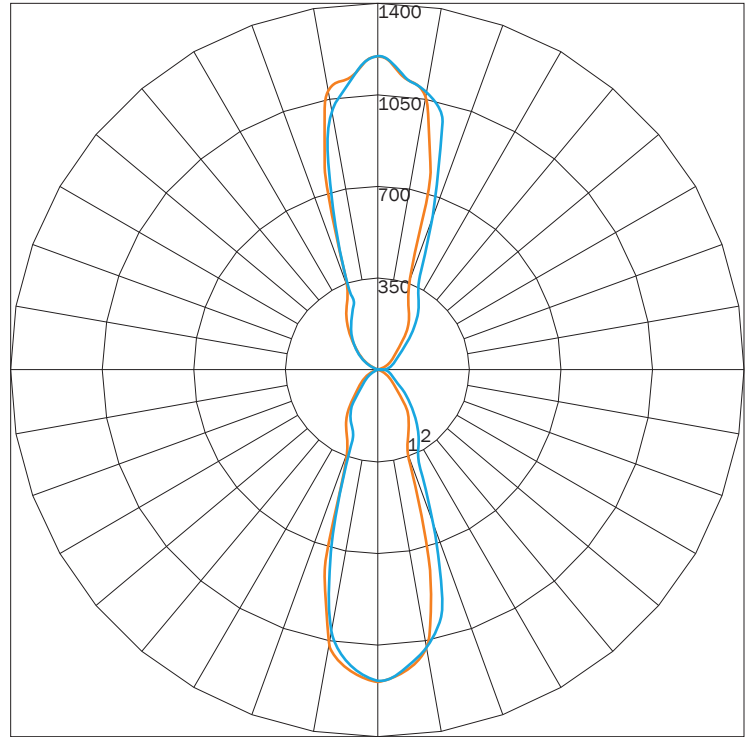
MAXIMUM CANDELA = 1212.16 LOCATED AT HORIZONTAL ANGLE = 0, VERTICAL ANGLE = 180
 # 1 - VERTICAL PLANE THROUGH HORIZONTAL ANGLES (90 - 270)
 # 2 - VERTICAL PLANE THROUGH HORIZONTAL ANGLES (0 - 180)

LUMINAIRE LUMENS 1574
TOTAL LUMINAIRE EFFICIENCY NA
LUMINAIRE EFFICACY RATING 34
TOTAL LUMINAIRE WATTS 35

IES INDOOR REPORT

PHOTOMETRIC FILENAME : ABR61 6 15LED2 F21.IES

POLAR GRAPH



MAXIMUM CANDELA = 1206.58 LOCATED AT HORIZONTAL ANGLE = 0, VERTICAL ANGLE = 180
 # 1 - VERTICAL PLANE THROUGH HORIZONTAL ANGLES (90 - 270)
 # 2 - VERTICAL PLANE THROUGH HORIZONTAL ANGLES (0 - 180)

LUMINAIRE LUMENS 1575
TOTAL LUMINAIRE EFFICIENCY NA
LUMINAIRE EFFICACY RATING 45
TOTAL LUMINAIRE WATTS 35

AVAILABLE FINISHES



F04
MATTE
WHITE



F05
GLOSS
WHITE



F07
ZEUS
BROWN



F08
MIDNIGHT
BLUE



F09
PEWTER



F10
FIRE
RED



F13
FOREST
GREEN



F14
SUNSHINE
YELLOW



F15
MATTE
BLACK



F16
GLOSS
BLACK



F18
SATIN
ALUMINUM



F21
ARCH
BRONZE



F24
MELTED
PLATINUM



F25
MELTED
GOLD



F26
MELTED
COPPER



F31
SILVER
METALLIC



F32
METALLIC
BRONZE



F33
PYRITE
BRONZE



F45
COPPER
METALLIC



RAL
CUSTOM
COLOR
(RAL #)

NOTE: DISPLAYED FINISHES DIFFER BETWEEN SCREENS AS WELL AS PRINTERS AND MAY NOT ACCURATELY DEPICT COLOR.