

Maxximus Wall

TMSLIGHTING

ESTABLISHED 1923



Features

- Durable aluminum construction for today's style, and to withstand the elements
- Vapor-proof construction allows for installation in areas of high moisture content and humidity
- Vandal-deterrent with glass diffuser and cast aluminum guard
- Customizable for application and design flexibility
- Also available as a pendant style luminaire

Applications

Maxximus is ideal for illuminating indoor and outdoor areas subjected to a high level of moisture or precipitation. Suitable applications include walkways, marinas, pool areas, parks and recreational facilities.

Maxximus is also available as a pendant-styled luminaire; see MAX.

Construction

High grade spun aluminum reflector (11⁷/₂₇₉ mm dia.), cast aluminum guard, and aluminum mounting arm (1/2" NPT), with stainless steel mounting hardware.

Lamp

Operates with Cree™ LED (15W max.), compact fluorescent (32W max.), metal halide (70W max.), or incandescent (150W max.). Specify 3000K, 3500K or 4000K CCT for LED systems.

Note: LED systems operate with 120-277V supply voltage only.

LED modules do not require a socket, and are wired directly to the integral driver.

Incandescent and metal halide systems use a medium base socket (E26).

Incandescent systems are compatible with a 120V supply voltage only.

Diffuser

Globe: clear and prismatic, elongated, glass globes are available.

Note: LED systems are compatible with prismatic globes only.

Ballast / LED Driver

Ballasts and LED drivers are electronic, and available for integral and remote mounting, indoor or outdoor.

The LED source is controlled by an advanced electronic driver that delivers consistent power.

Ballast are integral and electronic. They are efficient with a high power factor greater than 90%, and quiet with an "A" sound rating.

Surge Suppressor

All 120V, 277V, and universal voltage fixtures are protected by a 6kV surge suppressor.

Dimming

The LED dimming option is the 0-10V type, with pulse width modulation (PWM), and current-sinking control.

CF dimming options include the Mark 7 ® (0-10V), Mark 10 ® (line voltage), DALI (addressable), or Ecosystem ®.

Note: Use a current-sinking dimming system (by others) for LED dimming.

The dimming option is not available with 347V systems, or for outdoor CF applications.

Compatibility of this product is not guaranteed with all control systems.

Maxximus Wall

TMSLIGHTING

ESTABLISHED 1923



Features

- Durable aluminum construction for today's style, and to withstand the elements
- Vapor-proof construction allows for installation in areas of high moisture content and humidity
- Vandal-deterrent with glass diffuser and cast aluminum guard
- Customizable for application and design flexibility
- Also available as a pendant style luminaire

Emergency

For LED and CF systems, integral and remote emergency back-ups are available, in the standard temperature and cold temperature types.

Note: The emergency option is available with 120-277V systems only.

EM Integral LED: (min. operating temp. +5C/+40F)

EMR Remote LED: (20 ft. / 6.096 m max. distance from EM to LED; min. operating temp. +5C/+40F; dry location mounting)

EMC Integral LED Cold Pack: (min. operating temp. -20C/-4F)

EMCR Remote LED Cold Pack: (20 ft. / 6.096 m max. distance from EM to LED; min. operating temp. -20C/-4F)

EM Integral CF: (min. operating temp. +5C/+40F)

EMR Remote CF: (7 ft. / 2.134 m max. distance from EM to lamp; min. operating temp. +5C/+40F; dry location only)

EMC Integral CF Cold Pack: (min. operating temp. -20C/-4F)

EMCR Remote CF Cold Pack: (7 ft. / 2.134 m max. distance from EM to lamp; min. operating temp. -20C/-4F)

The test switch and indicator light would be remote.

Finish

Maxximus is available in TMS specialty brushed, and powder-coated finishes; see page 3, and the "Finishes and Diffusers" chart.

Custom RAL finishes are available by special order.

Note: Textured finishes are applied to all areas of the reflector.

Mounting

Mount onto a flat wall, directly over a standard 4" electrical junction box.

Follow the installation instructions, and adhere to your local electrical code.

Compliances

QPS-C/US, or UL-C/US certified to UL1598 standards. Rated IP55 for dry to damp locations, indoor and outdoor.

The Consultants Europe (CE) listing is available upon request.



Maxximus Wall

TMSLIGHTING

ESTABLISHED 1923

MXW11

1 2 3 4 5 6 7 8 9

Project: _____
Type: _____
Quantity: _____

Notes:

1 • Location

I: Indoor
O: Outdoor

2 • Lamping

150IN: 150W Incandescent
26CF: 26W PL-T
32CF: 32W PL-T
70MH: 70W MH (E-17)
15LED: 15W LED (CRI 80)

3 • LED CCT (color temp.)

—: None
30K: 3000K
35K: 3500K
40K: 4000K

4 • Voltage

120: 120V
277: 277V
347: 347V (CF and MH only)

5 • Ballast / LED Driver

—: None
WM: Wall mount (integral)
N1: Remote indoor mount (NEMA1)
N4: Remote outdoor mount (NEMA 4)

6 • Finish

Specialty
BR: Brushed aluminum
AN: Anodized (bright)

Powder-coated
F05: White
F08: Midnight blue
F09: Pewter
F10: Fire red
F13: Forest green
F14: Sunshine yellow
F15: Matte black
F16: Gloss black
F18: Flat aluminum
F19: Mirror silver
F21: Architectural bronze
F24: Melted platinum (textured)
F25: Melted gold (textured)
F26: Melted copper (textured)
F28: Dark champagne
F31: Silver metallic
F33: Pyrite bronze
RAL: RAL custom color (specify)

7 • Dimming

—: None
DIM: CF dimming (Advance Mark 10 ®)
DIMV: CF dimming (Advance Mark 7 ®; 0-10V)
DIMD: CF dimming (Advance DALI)
DIME: CF dimming (Lutron Ecosystem ®)
DIML: LED dimming (0-10V; current-sinking)

8 • Emergency

—: None
EM: Integral LED or CF
EMC: Integral LED or CF cold pack
EMR: Remote LED or CF
EMCR: Remote LED or CF cold pack

9 • Globes

G11: Clear, elongated, glass globe with cast guard
G11P: Prismatic, glass globe with cast guard

Note: Some options may not be compatible with others. To ensure compatibility between options, please visit tmslighting.com, on the “details” page of this luminaire, and use the configuration tool.

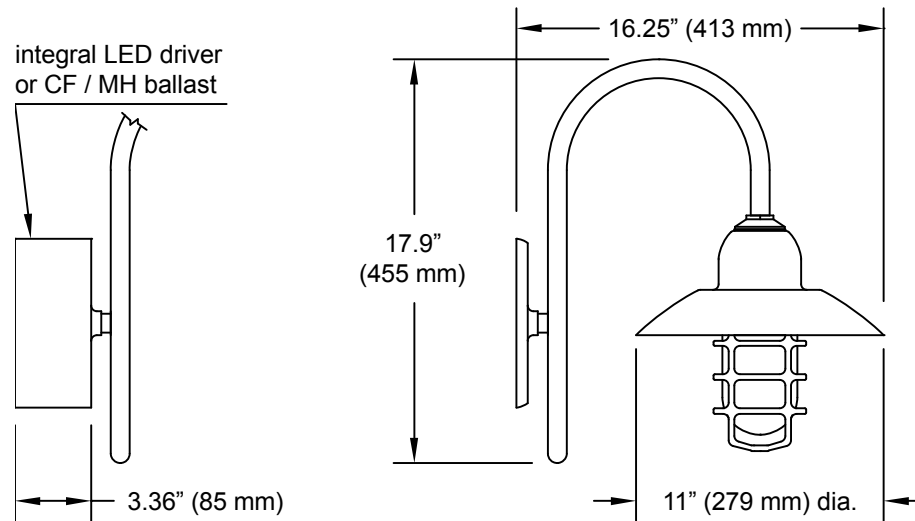


Maxximus Wall

TMSLIGHTING

ESTABLISHED 1923

Dimensions



Custom

TMS Lighting can customize this and many of our standard fixtures. The dimensions, lamp types, enclosure and colors could be modified to suit your lighting and architectural requirements. Contact your local representative for more details: <http://tmslighting.com/info/agents>

Specifications are subject to change without notice.

TMS Lighting Inc.
247A Summerlea Road,
Brampton, Ontario,
Canada. L6T 4E1

Web Site: tmslighting.com

North America: (905) 793-1174
Toll-free: (866) 793-1174
Fax: (905) 793-1175

UK & Europe: 44-1474-250-654