

Lioba



Features

- Spherical, 24" diameter design blends with today's architecture
- Choice of CCT and finish to project the right ambience
- Surge suppressor protects the internal components

Applications

Lioba is ideal for illuminating spaces where a modern look plays a main role in complementing the architecture. Such areas include entertainment venues, hospitality establishments, corporate facilities, and any area requiring uplifting ambience.

TMSLIGHTING

ESTABLISHED 1923

Construction

The spherical enclosure is made of precisely cut steel, supported by an aircraft cable and drop cord suspension.

Lamp

15W max. Cree™ LED, CRI 80; specify 3000K, 3500K or 4000K CCT.

LED Driver

The LED source is controlled by an advanced, electronic driver that delivers consistent power.

Dimming

The LED dimming option is the 0-10V, current-sinking type.

Note: A current-sinking dimming system (by others) must be used with this option.

Compatibility of this product is not guaranteed with all control systems.

Surge Suppressor

All 120V, 277V, and universal voltage LED luminaires are equipped with an integral, 6kV surge suppressor.

Mounting

Mount on a ceiling, directly to a standard 4" electrical junction box.

Follow the installation instructions, and adhere to your local electrical code.

Finish

Lioba is available in several TMS specialty, plated, and powder-coated finishes, applied to the inside and outside.

See the Finishes and Diffusers chart for the complete collage.

Compliances

QPS-C/US, or UL-C/US certified to UL1598 standards. Rated IP20 for dry, indoor locations. Consult the factory for the CE certification.



Lioba

TMSLIGHTING

ESTABLISHED 1923

495LI -

1 2 3 4 5 6

Project: _____
Type: _____
Quantity: _____

Notes:

1 • Lamping

15LED: 15W LED (CRI 80)

2 • LED CCT (color temp.)

30K: 3000K
35K: 3500K
40K: 4000K

3 • Voltage

120: 120V
277: 277V

4 • Cord

BC: BLACK DROP CORD
WC: WHITE DROP CORD

5 • Finish

Specialty

SS: 316L Stainless steel (brushed)
PS: Stainless steel (mirror polished)

Plated

AC: Antique copper
CH: Chrome
BC: Black chrome
PB: Polished brass
SB: Satin brass
SN: Satin nickel

Powder-coated

F05: White
F08: Midnight blue
F09: Pewter
F10: Fire red
F13: Forest green
F14: Sunshine yellow
F15: Matte black
F16: Gloss black
F18: Flat aluminum
F19: Mirror silver
F21: Architectural bronze
F22: Harvest gold
F24: Melted platinum (textured)
F25: Melted gold (textured)
F26: Melted copper (textured)
F28: Dark champagne
F31: Silver metallic
F32: Metallic bronze
F33: Pyrite bronze
RAL: RAL custom color (specify)

6 • Dimming

—: None

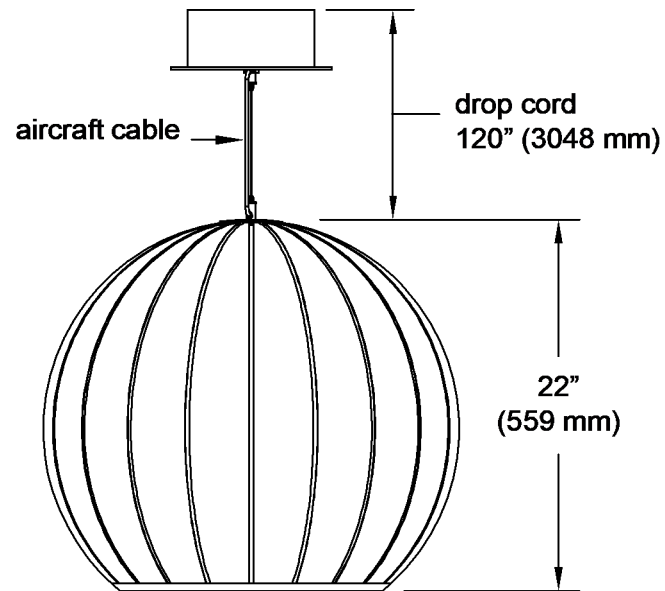
DIML: LED dimming (0-10V, current-sinking)
Note: A current-sinking dimming system (by others) must be used with this option.
Compatibility of this product is not guaranteed with all control systems.



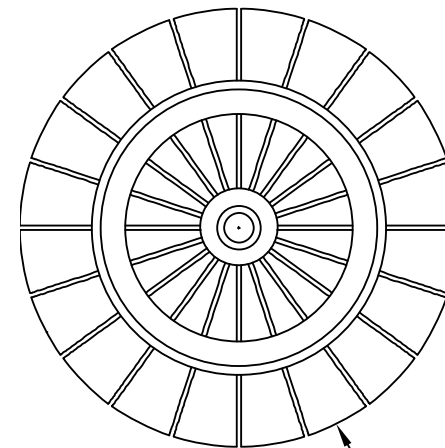
Lioba

TMSLIGHTING

ESTABLISHED 1923



bottom view



24" (610 mm) dia.

Custom

TMS Lighting can customize this and many of our standard fixtures. The dimensions, lamp types, enclosure and colors could be modified to suit your lighting and architectural requirements. Contact your local representative for more details: <http://tmslighting.com/info/agents>

Specifications are subject to change without notice.

TMS Lighting Inc.
247A Summerlea Road,
Brampton, Ontario,
Canada. L6T 4E1

Web Site: tmslighting.com

North America: (905) 793-1174

Toll-free: (866) 793-1174

Fax: (905) 793-1175

UK & Europe: 44-1474-250-654