

Emergency Backups for Pendant Lights

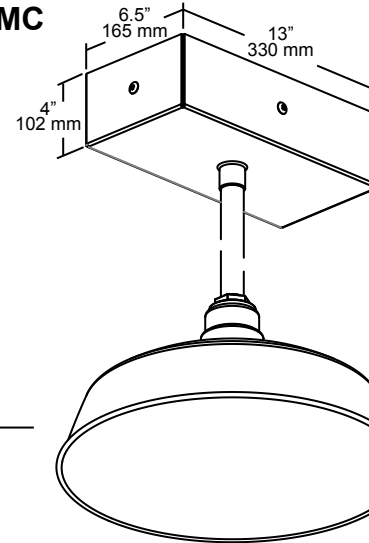
EM Integral Emergency Backup

- rated for outdoor / wet locations
- rated for a minimum operating temperature of +5°C/40°F
- for use with the pendant-mounted ballast/driver option

EMC Integral Cold Pack Emergency Backup

- rated for outdoor / wet locations
- rated for a minimum operating temperature of -20°C/-4°F
- for use with the pendant-mounted ballast/driver option

EM and EMC (integral)



The EM and EMC emergency backup enclosures will increase the overall extension of the sign light by 3.625" (92 mm).

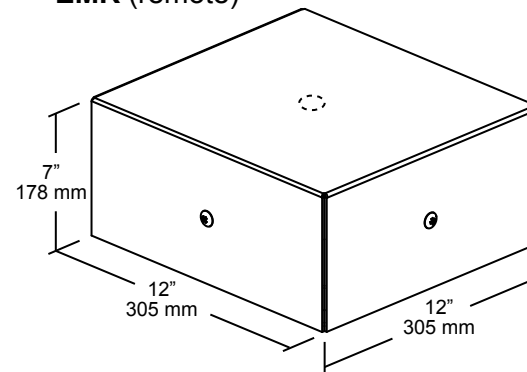
EMR Remote Emergency Backup

- rated for indoor / dry locations
- minimum operating temperature of +5°C/40°F
- maximum mounting distance of 3m/7 ft. from the lamp
- for use with the N1/N4, and pendant-mounted ballast/driver option

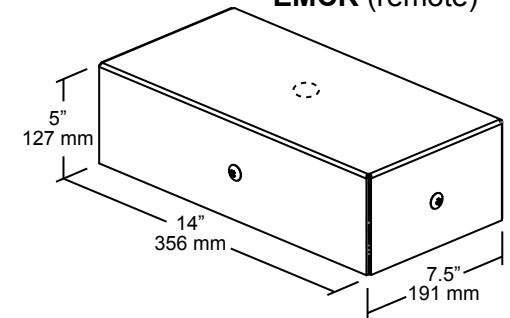
EMCR Remote Cold Pack Emergency Backup

- rated for outdoor / wet locations
- minimum operating temperature of -20°C/-4°F
- maximum mounting distance of 3m/7 ft. from the lamp
- for use with the N1/N4, and pendant-mounted ballast/driver option

EMR (remote)



EMCR (remote)



Notice

1. The backup unit must be mounted to a flat surface.
2. The test light and switch (supplied) can be mounted at a maximum of 50 ft. from the emergency backup unit. Mount in a dry, indoor location.

This notice may not cover all details or variations. Backup units may not be available with all pendant light configurations; consult TMS Lighting. All specifications are subject to change without notice. For additional information, please contact TMS Lighting.

This document is the property of TMS Lighting Inc. Any reproduction is an infringement of copyright, and subject to penalty by applicable laws.

TMSLIGHTING

247A Summerlea Road,
Brampton, Ontario, Canada. L4T 4E1

URL: tmslighting.com

Email: customerservice@tmslighting.com

ver. 1.0.0

© Copyright 2015, TMS Lighting Inc. All rights reserved.