

Trisha



Features

- Aluminum, solid copper, steel or 316L stainless steel construction, for indoor applications
- Energy efficient with integrated LED source, up to 19W
- Smooth dimming without any color shift
- Available in sizes from 9" to 20" in diameter
- Surge suppressor protects internal components
- Optional, emergency back-up in case of a power interruption
- More practical and aesthetic options for application and design flexibility

Applications

Trisha is ideal for illuminating spaces where the quality of light and style are important. It performs well in commercial spaces, where natural finishes convey a warm ambience.

Construction

TMSLIGHTING

ESTABLISHED 1923

High grade spun aluminum, brushed solid copper, brushed steel, or 316L stainless steel construction, for indoor applications. Sizes range from 9" to 20" in diameter.

Lamp

Operates with integrated Cree™ LED (32W max., CRI 80), compact fluorescent (57W max.), metal halide (100W max.), or incandescent (200W max.) light sources. A 17W LED screw type lamp is available (120V, PAR 38, CCT 4000K, E26 base).

Note: Integrated LED systems use a 120-277V supply voltage, and are not compatible with 347V. Only CF and MH systems accommodate a 347V supply. Incandescent and metal halide systems, and those using the 17W LED PAR 38 lamp, use a medium base lamp holder (E26).

Only integrated LED sources are supplied, not lamps.

Diffuser

Globe: Optional, clear and prismatic glass globes are available for diffusion and lamp protection.

Note: G1 and G3 globes are available with 100IN, 32CF, and 15LED max.

LED systems are available with a prismatic globe only.

Globes are not available with the 17W LED PAR 38 lamps.

The compatibility of globes depends on the light source and reflector size; please visit tmslighting.com, on the "details" page of this luminaire, and use the configuration tool.

Ballast / LED Driver

Ballasts are integral and electronic. They are efficient with a high power factor greater than 90%, and quiet with an "A" sound rating.

The LED source is controlled by an advanced driver to deliver consistent power (120-277V).

Surge Suppressor

Universal voltage, 120V and 277V systems are protected by a 6kV surge suppressor.

Dimming

CF dimming options include the Mark 7 ® (0-10V), Mark 10 ® (line voltage), DALI (addressable), or Ecosystem ®.

The LED dimming option is the 0-10V, current-sinking type.

Note: Use a current-sinking dimming system (by others) for LED dimming.

Dimming is available to systems with 120-277V supply voltage only.

Compatibility of this product is not guaranteed with all control systems.

Emergency

For CF systems, an integral emergency back-up is available. For integrated LED systems, integral and remote emergency back-ups are available.



Trisha

TMSLIGHTING

ESTABLISHED 1923



Features

- Aluminum, solid copper, steel or 316L stainless steel construction, for indoor applications
- Energy efficient with integrated LED source, up to 19W
- Smooth dimming without any color shift
- Available in sizes from 9" to 20" in diameter
- Surge suppressor protects internal components
- Optional, emergency back-up in case of a power interruption
- More practical and aesthetic options for application and design flexibility

Note:

EM: Integral CF or LED (min. operating temp. 5°C/40°F)

EMR: Remote LED (dry location only; 20 ft. / 6.096 m max. distance from EM to lamp; min. operating temp. 5°C/40°F)

EMR: Remote CF (dry location only; 7 ft. / 2.134 m max. distance from EM to lamp; min. operating temp. 5C/40F)

The test switch and indicator light would be remote.

The emergency option is not available with the 17W LED PAR 38 lamp.

The emergency CF back-up is available only with a stem mount.

See specifications in "Emergency Backups for Pendant Lights".

Finish

Available in aluminum, copper, or steel, in a TMS specialty, plated or powder-coated finish. See page 3, and the "Finishes and Diffusers" chart.

Custom RAL finishes are available by special order.

Note: Standard finishes are applied to the canopy/enclosure, and the outside of the reflector, with white on the inside.

Textured finishes are applied to the canopy/enclosure, and the inside and outside of the reflector.

Note: Brushed copper: a clear coat is applied to copper, yet, patina will form over time, depending on the humidity of the environment. The stem mount would be black.

Stainless steel: brushed; the stem mount would be flat silver.

Galvanized: rough finish on steel; the stem mount would be flat silver.

Brushed copper and stainless steel reflectors are available up to 15" in diameter.

Mounting

Mount to a ceiling, directly to a standard 4" electrical junction box. Trisha is available with either the stem mount (3/8" NPT std., 5 ft. / 1.524 m max.) and ceiling slope adapter, or the drop cord and aircraft cable mount (10 ft. / 3.048 m max.).

Note: The aircraft cable is included with the drop cord, and the ceiling slope adapter is included with the stem mount.

The aircraft cable or ceiling slope adapter may be required to comply with the local seismic/earthquake code.

Follow the installation instructions, and adhere to your local electrical code.

Compliances

UL-C/US or QPS-C/US certified to UL1598 standards. Rated IP20, for use in dry, indoor locations.

The Consultants Europe (CE) listing is available upon request.

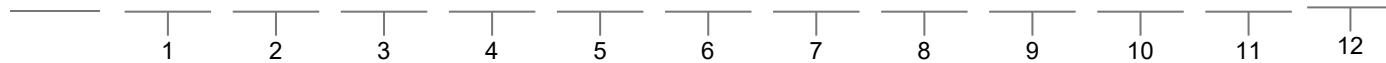


Trisha

TMSLIGHTING

ESTABLISHED 1923

TRI



Project: _____
 Type: _____
 Quantity: _____

Notes:

1 • Location

I: Indoor

2 • Diameter

9: 9" (23 cm) dia. 15: 15" (38 cm) dia.
 10: 10" (25 cm) dia. 18: 18" (46 cm) dia.
 12: 12" (31 cm) dia. 20: 20" (51 cm) dia.

3 • Lamping

100IN: 100W INC (9"-18" dia.)
 200IN: 200W INC (18" and 20" dia.)
 17LED: 17W LED screw-in supplied
 15LED: 15W LED (9"-15" dia.)
 19LED: 19W LED (12"-20" dia.)
 32LED: 32W LED (18" and 20" dia.)
 26CF: 26W CF
 32CF: 32W CF (10"-20" dia.)
 42CF: 42W CF (12"-20" dia.)
 57CF: 57W PL-T (15"-20" dia.)
 70MH: 70W MH (E-17)
 100MH: 100W MH (12"-20" dia.; E-17)

4 • Mounting

CRD: 120" Drop cord
 CRD: 120" CF drop cord
 CRD: 120" MH drop cord
 C__ : Stem 1", 6", 12", 18", 24", 36", 48" or 60"

5 • LED CCT (color temp.)

30K: 3000K (CRI 80)
 35K: 3500K (CRI 80)
 40K: 4000K (CRI 80)

6 • Voltage

120: 120V 277: 277V
 347: 347V (CF and MH only)

7 • Cord

BC: BLACK DROP CORD
 WC: WHITE DROP CORD

8 • Finish

Specialty

AN: Anodized (bright)
 BR: Aluminum (brushed)
 CO: Copper (brushed)
 GA: Galvanized steel (rough)
 SS: Stainless steel (brushed)

Plated

SN: Satin nickel
 CH: Chrome
 BC: Black chrome
 AC: Antique copper
 AB: Antique brass
 SB: Satin brass
 PB: Polished brass

Powder-coated

F05: White
 F08: Midnight blue
 F09: Pewter
 F10: Fire red
 F13: Forest green
 F14: Sunshine yellow
 F15: Matte black
 F16: Gloss black
 F18: Satin aluminum
 F19: Mirror silver
 F21: Architectural bronze
 F24: Melted platinum (textured)
 F25: Melted gold (textured)
 F26: Melted copper (textured)
 F28: Faux nickel
 F31: Silver metallic

9 • Globes

—: None
 G1: Clear, elongated globe
 G3: Prismatic, elongated globe
 G9: Large, elongated, clear globe
 G10: Large, elongated, prismatic globe
 Note: G1 and G3 are used with 100IN, 32CF, and 15LED max.

10 • Dimming

—: None
 DIM: CF dimming (Advance Mark 10 @)
 DIMV: CF dimming (Advance Mark 7 @, 0-10V)
 DIMD: CF dimming (Advance DALI)
 DIME: CF dimming (Lutron Ecosystem @)
 DIML: LED dimming (0-10V, current-sinking)

11 • Emergency

—: None
 EM: Integral CF or LED (min. operating temp. 5°C/40°F)
 EMC: Integral CF or LED cold pack (min. operating temp. -20°C/-4°F)
 EMR: Remote LED (dry location only; 20 ft. / 6.096 m max. distance from lamp to EM; min. operating temp. 5°C/40°F)
 EMCR: Remote LED cold pack (20 ft. / 6.096 m max. distance from lamp to EM; min. operating temp. -20°C/-4°F)

12 • Mounting Accessories

ACC: Drop cord and aircraft cable (10 ft. / 3.048 m length)
 BL: Stem mount and ceiling slope adapter (60" max. length; 15° slope max.)

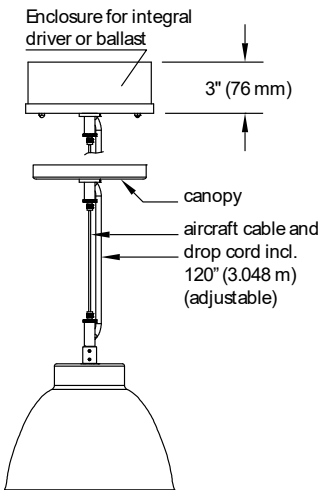
Note: Some options may not be compatible with others. To ensure compatibility between options, please visit tmslighting.com, on the "details" page of this luminaire, and use the configuration tool.



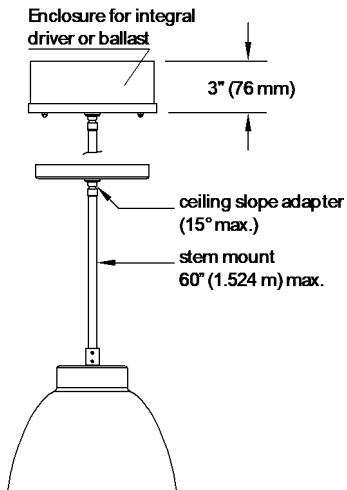
Trisha

TMSLIGHTING
ESTABLISHED 1923

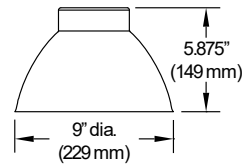
Drop Cord Mount



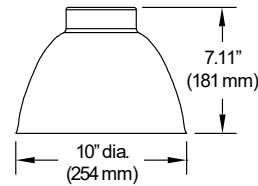
Stem Mount



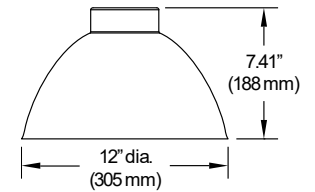
TRI-I-09



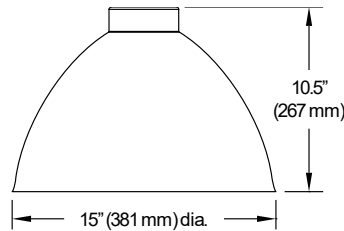
TRI-I-10



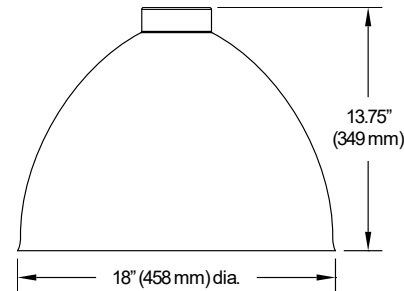
TRI-I-12



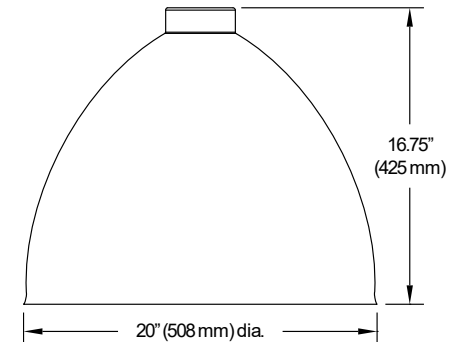
TRI-I-15



TRI-I-18



TRI-I-20



Custom

TMS Lighting can customize this and many of our standard fixtures. The dimensions, light source, enclosure and colors could be modified to suit your lighting and architectural requirements. Contact your local representative for more details: <http://tmslighting.com/info/agents>

TMS Lighting Inc.
247A Summerlea Road,
Brampton, Ontario,
Canada. L6T 4E1
Web Site: tmslighting.com

North America: (905) 793-1174
Toll-free: (866) 793-1174
Fax: (905) 793-1175

UK & Europe: 44-1474-250-654

Specifications are subject to change without notice.