

Tucore



Features

- Elegance on a large scale; Tucore provides excellent coverage for commercial and decorative applications
- Tall, translucent acrylic cylinder produces excellent vertical illumination with uniformity
- High output 84W LED source produces an exceptional degree of color rendering - CRI 80
- General diffuse pattern takes advantage of light colored ceiling reflectance
- Optional downlight LED for increased direct illumination
- Available in an assortment of finishes to complement the theme
- Optional dimming for multi-purpose facilities



TMSLIGHTING

ESTABLISHED 1923

Applications

Tucore is ideal for illuminating areas with modern architecture, and where the quality of light and aesthetics are important. It is a practical and aesthetic pendant, suitable for many commercial and decorative applications, such as foyers and entrances, hallways, and anywhere, modern, uplifting ambience is required.

Construction

The mounting decorative enclosure, rings, stem and canopy are manufactured from high grade steel for support and durability.

Lamp

Operates with a Cree™ 84W LED source, and optional 15W downlight. Specify 3000K, 3500K, or 4000K CCT.

LED Driver

The LED source is controlled by an advanced electronic driver that delivers consistent power.

Diffuser

The opal-white, cylindrical diffuser is made of HID grade, UV-stabilized acrylic, with a glossy finish.

Surge Suppressor

All 120V, 277V and universal voltage fixtures are equipped with a 6kV surge suppressor.

Dimming

The LED dimming option is the 0-10V type (current sinking). Use a current-sinking dimming system (by others) with this option.

Note: Compatibility of this product is not guaranteed with all control systems.

Mounting

Mount on a ceiling, directly to a standard 4" electrical junction box. The ceiling slope adapter, 15° max., keeps the pendant hanging vertically.

Follow the installation instructions, and adhere to your local electrical code.

Finish

Available in several TMS standard, powder-coated finishes and specialty plated finishes. See the Finishes and Diffusers chart.

Compliances

Tucore is rated IP20, for dry indoor locations. And certified to QPS-C/US, or UL-C/US UL1598 standards. Consult the factory for the CE listing.

Tucore

TMSLIGHTING

ESTABLISHED 1923

6000 TU

1 2 3 4 5 6 7

1 • Lamping

84LED: 84W LED (CRI 80)

2 • LED CCT (color temp.)

30K: 3000K
35K: 3500K
40K: 4000K

3 • Downlight

—: None
DLED: 15W LED Downlight

4 • Voltage

120: 120V
277: 277V

5 • Finish

F05: White
F09: Pewter
F15: Matte black
F16: Gloss black
F18: Flat aluminum
F19: Mirror silver
F21: Architectural bronze
F22: Harvest gold
F24: Melted platinum (textured)
F25: Melted gold (textured)
F26: Melted copper (textured)
F28: Dark champagne
F31: Silver metallic
F32: Bronze metallic
F33: Pyrite bronze
RAL: RAL custom color (specify)

6 • Diffuser

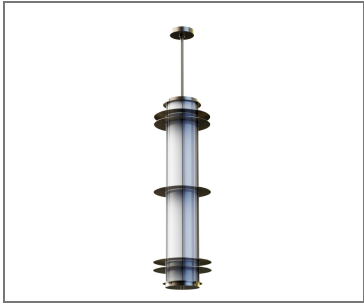
OP: Opal-white acrylic

7 • Dimming

—: None
DIML: LED Dimming
(0-10V, current-sinking)



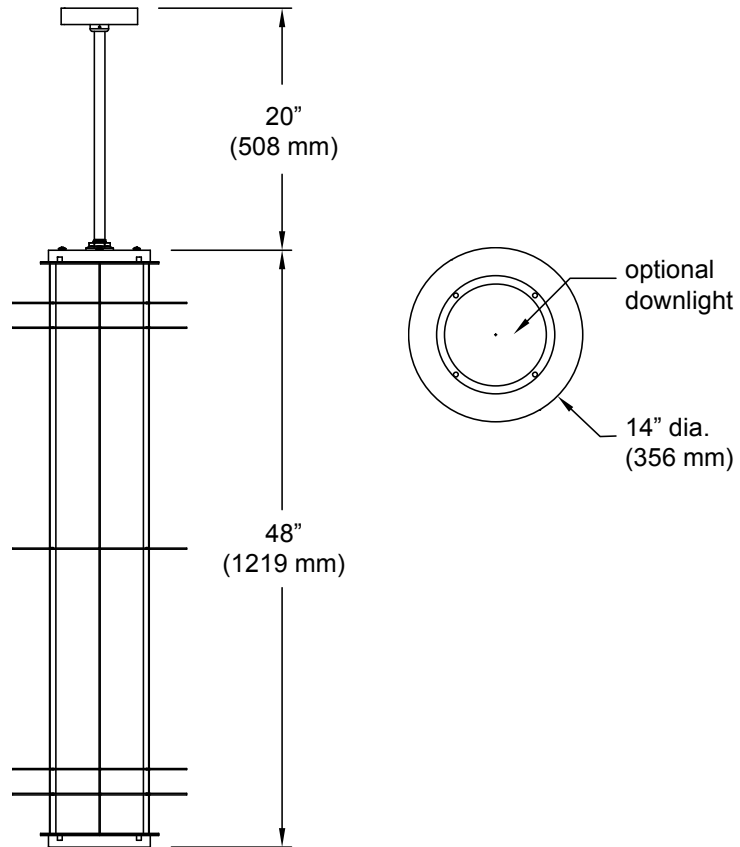
Project: _____
Type: _____
Quantity: _____
Notes:



Tucore

TMSLIGHTING

ESTABLISHED 1923



Custom

TMS Lighting can customize this and many of our standard fixtures. The dimensions, lamp types, enclosure and colors could be modified to suit your lighting and architectural requirements. Contact your local representative for more details: <http://tmslighting.com/info/agents>

Specifications are subject to change without notice.

TMS Lighting Inc.
247A Summerlea Road,
Brampton, Ontario,
Canada. L6T 4E1

Web Site: tmslighting.com

North America: (905) 793-1174
Toll-free: (866) 793-1174
Fax: (905) 793-1175

UK & Europe: 44-1474-250-654