

# Brooke



**TMSLIGHTING**

ESTABLISHED 1923

## Features

- 16" and 18" diameter reflectors, designed for wide area coverage
- Excellent uniformity, suitable for general and localized lighting, indoor and outdoor
- Lightweight construction for easy installation and less structural stress
- Practical options for application and design flexibility
- Surge protection for internal components
- Quality components combined with the most current technology for high efficiency and reduced lighting costs

## Applications

Brooke is ideal for illuminating spaces where the quality of light and style are important. It lends itself to commercial spaces, especially in the hospitality industry, and where an economical lighting solution is required.

## Construction

High grade spun aluminum, solid copper, steel or 316L stainless steel construction, for indoor and outdoor applications. Reflectors are available in sizes of 16" and 18" diameter.

## Lamp

Operates with integrated Cree™ LED (19W max.), compact fluorescent (42W max.), metal halide (70W max.), incandescent (100W max.) light sources; specify 3000K, 3500K, or 4000K CCT for LED systems. A dimmable 17W LED screw type lamp is also available (120V, PAR 38, E26 base, 60° beam, 4000K CCT).

Note: LED systems use 120-277V supply voltage, and are not compatible with 347V. Incandescent and metal halide systems, and those using the 17W LED PAR 38 lamp use a medium base socket (E26).

## Ballast / LED Driver

Ballasts are electronic. They are efficient with a high power factor greater than 90%, and quiet with an "A" sound rating.

The LED source is controlled by an advanced electronic driver that delivers consistent power.

## Diffuser

Globe: Optional clear and prismatic glass globes are available for greater diffusion and lamp protection.

Globe with Cast Guard: the combination is available for greater diffusion and more robust lamp protection.

Note: G1, G3, and G11 are used with 100IN, 32CF, and 15LED max.

Globes are not available with the 17W LED PAR 38 lamps.

## Surge Suppressor

All 120V, 277V, and universal voltage fixtures are equipped with a 6kV surge suppressor.

## Dimming

CF dimming options include the Mark 7 ® (0-10V), Mark 10 ® (line voltage), DALI (addressable), or Ecosystem ®.

The LED dimming option is the 0-10V current-sinking type.

Note: Dimming is not available with 347V systems, or for outdoor CF applications.

Use a current-sinking dimming system (by others) for LED dimming.

Compatibility of this product is not guaranteed with all control systems.

# Brooke



## Features

- 16" and 18" diameter reflectors, designed for wide area coverage
- Excellent uniformity, suitable for general and localized lighting, indoor and outdoor
- Lightweight construction for easy installation and less structural stress
- Practical options for application and design flexibility
- Surge protection for internal components
- Quality components combined with the most current technology for high efficiency and reduced lighting costs

**TMSLIGHTING**

ESTABLISHED 1923

## Emergency

For CF systems, an integral, canopy-mounted, emergency back-up is available, in either the standard temperature or cold temperature type.

For integrated LED systems, integral and remote mount emergency back-ups are available in the standard temperature or cold temperature type.

The test switch and indicator light would be remote.

Note: The emergency option is not available with the 17W LED PAR 38 lamp.

See specifications in "Emergency Backups for Pendant Lights".

## Mounting

Mount to the ceiling, directly to a standard 4" electrical junction box. Choose either the stem mount (1/2" NPT std., 5ft. / 1.524 m max.), or the drop cord/aircraft cable mount (10 ft. / 3.048 m max.).

Follow the installation instructions, and adhere to your local electrical code.

## Mounting Accessories

Aircraft Cable: for drop cord mounting, the steel cable provides additional support.

Ceiling Slope Adapter: for stem mounting, keeps the pendant hanging vertically, correcting up to a 20° slope max.

Wire Guard: a steel, chrome-plated wire guard is available for lamp protection against light projectiles, wildlife, and serves as a vandal deterrent.

Note: The aircraft cable or ceiling slope adapter may be required to comply with the local seismic/earthquake code.

## Finish

Available in brushed copper, 316L steel or aluminum, TMS polyester powder-coated, and RAL finishes; see the "Finishes and Diffusers" chart. Custom RAL finishes are available by special order.

Note: A clear coat is applied to copper, yet patina will form over time.

## Compliances

QPS-C/US, or UL-C/US certified to UL1598 standards. Rated IP20 with the drop cord/aircraft cable for use in dry, indoor locations; IP23 with the stem mount, for outdoor locations.

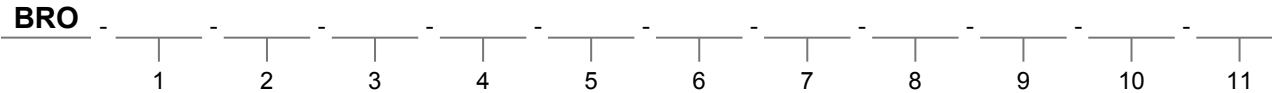
The Consultants Europe (CE) listing is available upon request.



# Brooke

**TMSLIGHTING**

ESTABLISHED 1923



Project: \_\_\_\_\_  
 Type: \_\_\_\_\_  
 Quantity: \_\_\_\_\_

Notes:

## 1 • Location

I: Indoor  
 O: Outdoor

## 2 • Diameter

16: 16" (41 cm) dia.  
 18: 18" (46 cm) dia.

## 3 • Lamping

100IN: 100W INC  
 17LED: 17W LED, PAR 38, screw  
 type lamp (supplied)  
 15LED: 15W LED  
 19LED: 19W LED  
 26CF: 26W PL-T  
 32CF: 32W PL-T  
 42CF: 42W PL-T  
 57CF: 57W PL-T  
 70MH: 70W MH (E-17)

## 4 • Mounting

CRD: Drop cord (120", indoor)  
 CRD: CF drop cord (120", indoor)  
 CRD: MH drop cord (120", indoor)  
 C\_\_: Stem mount 1", 6", 12", 18",  
 24", 36", 48", 60"

## 5 • LED CCT (color temp.)

30K: 3000K (CRI 80)  
 35K: 3500K (CRI 80)  
 40K: 4000K (CRI 80)

## 6 • Voltage

120: 120V  
 277: 277V  
 347: 347V (n/a with LED)

## 7 • Finish

### Specialty

BR: Brushed aluminum  
 CO: Solid copper (brushed; stem  
 mount would be black)  
 SS: Stainless steel 316L (brushed;  
 stem mount would be silver  
 metallic)  
 AN: Anodized (bright)

### Powder-coated

F05: White  
 F06: Clay brown  
 F08: Midnight blue  
 F09: Pewter  
 F10: Fire red  
 F13: Forest green  
 F14: Sunshine yellow  
 F15: Matte black  
 F16: Gloss black  
 F18: Flat aluminum  
 F19: Mirror silver  
 F21: Architectural bronze  
 F22: Harvest gold  
 F24: Melted platinum (textured)  
 F25: Melted gold (textured)  
 F26: Melted copper (textured)  
 F31: Silver metallic  
 F32: Bronze metallic  
 F33: Pyrite bronze  
 RAL: RAL custom color (specify)

## 8 • Globes

—: None  
 G1: Clear, elongated globe  
 G3: Prismatic, elongated globe  
 G11: Clear, elongated globe with cast guard  
 G12: Prismatic globe with cast guard  
 Note: G1, G3, and G11 are used with 100IN, 32CF, and  
 15LED max.  
 Globes are not available with 17W LED PAR lamps.

## 9 • Dimming

—: None  
 DIM: CF dimming (Advance Mark 10 @)  
 DIMV: CF dimming (Advance Mark 7 @; 0-10V)  
 DIMD: CF dimming (Advance DALI)  
 DIME: CF dimming (Lutron Ecosystem @)  
 DIML: LED dimming (0-10V, current-sinking)  
 Note: n/a with 347V systems, or for outdoor CF applications.

## 10 • Emergency

—: None  
 EM: Integral CF or LED (min. operating temp. +5°C/+40°F)  
 EMC: Integral CF or LED cold pack (min. operating temp. -20°C/-4°F)  
 EMR: Remote LED (dry location only; 20 ft. / 6.096 m max. distance  
 from lamp to EM; min. operating temp. 5°C/40°F)  
 EMCR: Remote LED cold pack (20 ft. / 6.096 m max. distance from  
 lamp to EM; min. operating temp. -20°C/-4°F)

## 11 • Mounting Accessories

—: None  
 ACC: Aircraft cable for drop cords (10 ft. / 3.048 m length)  
 BL: Ceiling slope adapter for stem mounting  
 (20° slope max.)  
 Note: ACC or BL may be required to comply with the local  
 seismic/earthquake code.

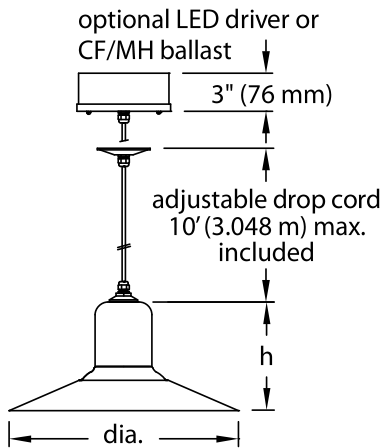
Note: Some options may not be compatible with others. To ensure compatibility between options, please visit [tmslighting.com](http://tmslighting.com), on the "details" page of this luminaire, and use the configuration tool.



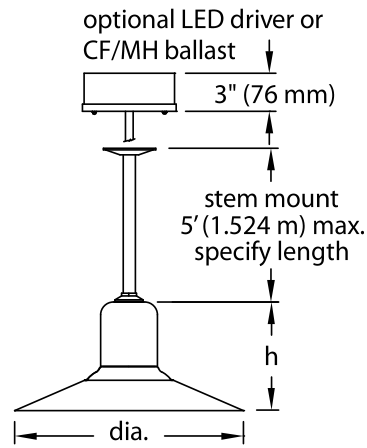
# Brooke

**TMSLIGHTING**  
ESTABLISHED 1923

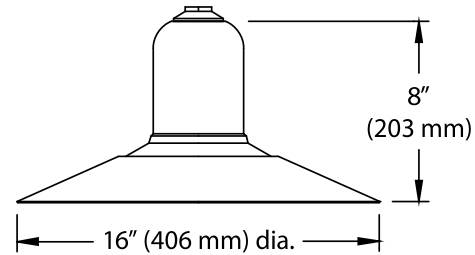
## Drop Cord Mount



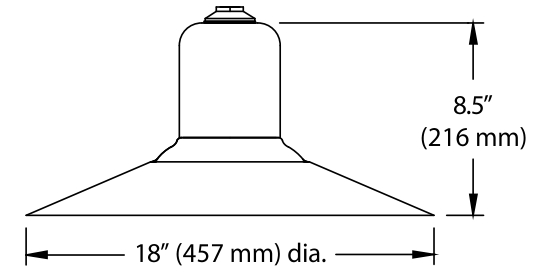
## Stem Mount



## BRO-I/O-16



## BRO-I/O-18



### Custom

TMS Lighting can customize this and many of our standard fixtures. The dimensions, lamp types, enclosure and colors could be modified to suit your lighting and architectural requirements. Contact your local representative for more details: <http://tmslighting.com/info/agents>

Specifications are subject to change without notice.

### TMS Lighting Inc.

247A Summerlea Road,  
Brampton, Ontario,  
Canada. L6T 4E1

Web Site: [tmslighting.com](http://tmslighting.com)

**North America:** (905) 793-1174

**Toll-free:** (866) 793-1174

**Fax:** (905) 793-1175

**UK & Europe:** 44-1474-250-654